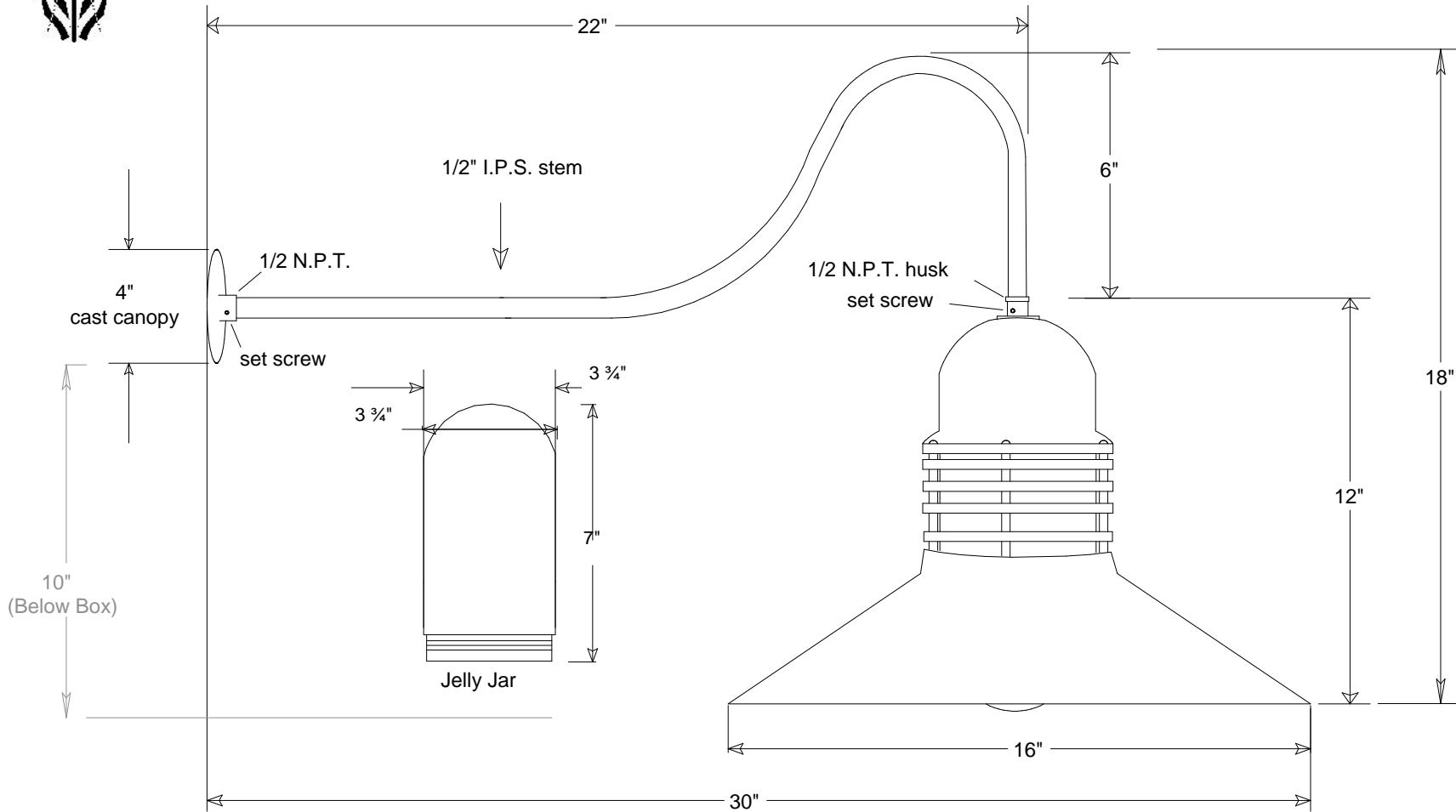





Primelite Manufacturing Corp

407 S Main St, Freeport, NY 11520
 Phone: 516-868-4411 | Fax: 516-868-4609
 sales@primelite-mfg.com | www.primelite-mfg.com

PART # #427/16-4-850 LED12	LAMP LED12	VOLTAGE 120V	COLOR Powder Coated Paint
JOB NAME			TYPE Gooseneck



Lamp: LED  LED12	Name	Date	Gooseneck #427/16-4-850 LED12			
	Drawn	lv				06/05/18
	Checked			16" Shade 22" Arm 10" Below Box Glass Jelly Jar		
	ENG Appr.					
Construction: Aluminum, Glass	MFR Appr.		Size	Drawing No.	Rev	
Unless Otherwise Specified: Dimensions in Inches	QA		A	0001	A	
Comments			Scale	CAD File	Sheet	
					1 of 1	

Revisions				
Zone	Rev	Description	Date	Approved

