

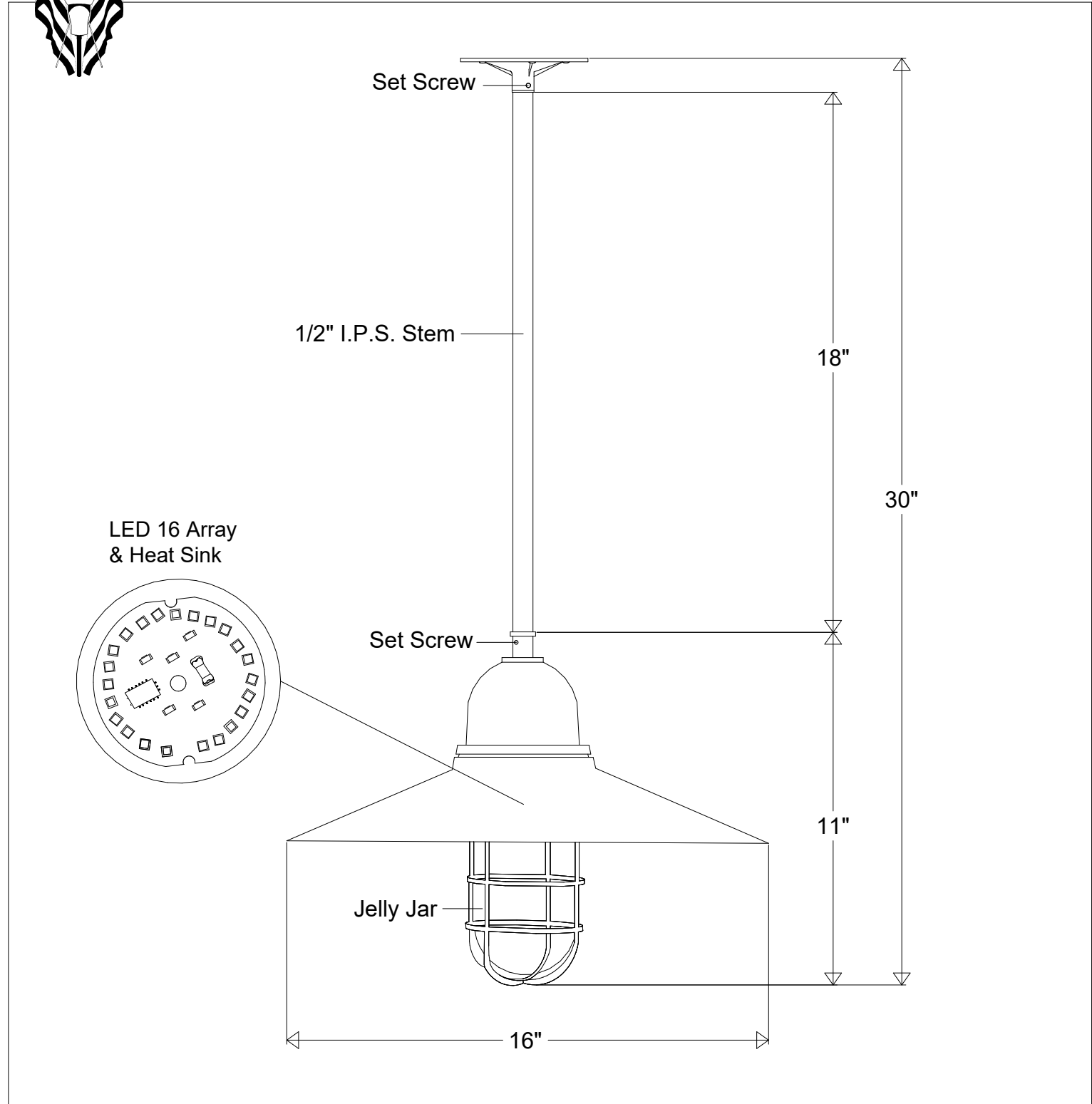



Primelite Manufacturing Corp

407 S Main St, Freeport, NY 11520

Phone: 516-868-4411 | Fax: 516-868-4609
 sales@primelite-mfg.com | www.primelite-mfg.com

PART # #427/16-18	LAMP Built-In LED	VOLTAGE 120 V	COLOR Powder Coated Paint
JOB NAME			TYPE Pendant



Lamp: LED 16 Array 1000 Lumens 75 W Inc Equivalent 	Name		Date		Pendant #427/16-18 LED 16 16" Dia 30" H 18" Stem Glass Jelly Jar: Clear Frosted
	Drawn	CB	6/2020		
	Checked				
	ENG Appr.				
	MFR Appr.				
Construction: Aluminum Glass	QA		Size	Drawing No.	Rev
Unless Otherwise Specified: Dimensions in Inches	Weight		A	0001	A
		Scale	CAD File	Sheet	1 of 1

Revisions				
Zone	Rev	Description	Date	Approved