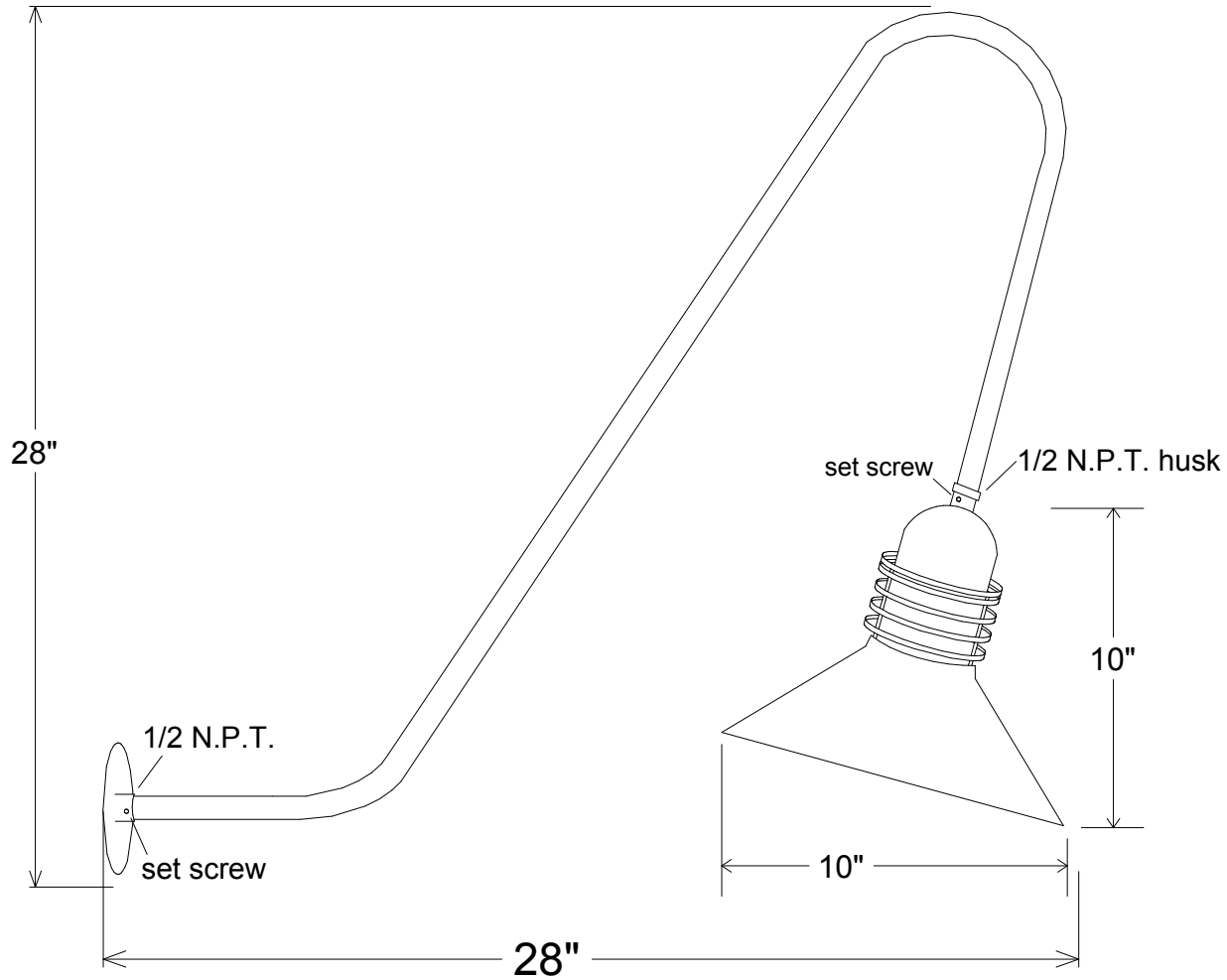


Revisions			Date	Approved
Zone	Rev	Description		



Unless Otherwise Specified: Dimensions in Inches Tolerances: Fractional ± Angular: Mach ± Bend ± Two Place Decimal ± Three Place Decimal ±	Drawn T.A.R.	Date 12/18/09	Primelite Mfg. Corp. 427/10-869
	Checked		
	ENG Appr.		
	MFR Appr.		
	QA		
Construction: All Aluminum	Comments CAD Generated Drawing Do Not Manually Update		Size A
Pipe Size: 1/2"			Drawing No. 0001
Lamp: 1-100A			Rev A
			Scale 1:7
			CAD File
			Sheet 1 of 1