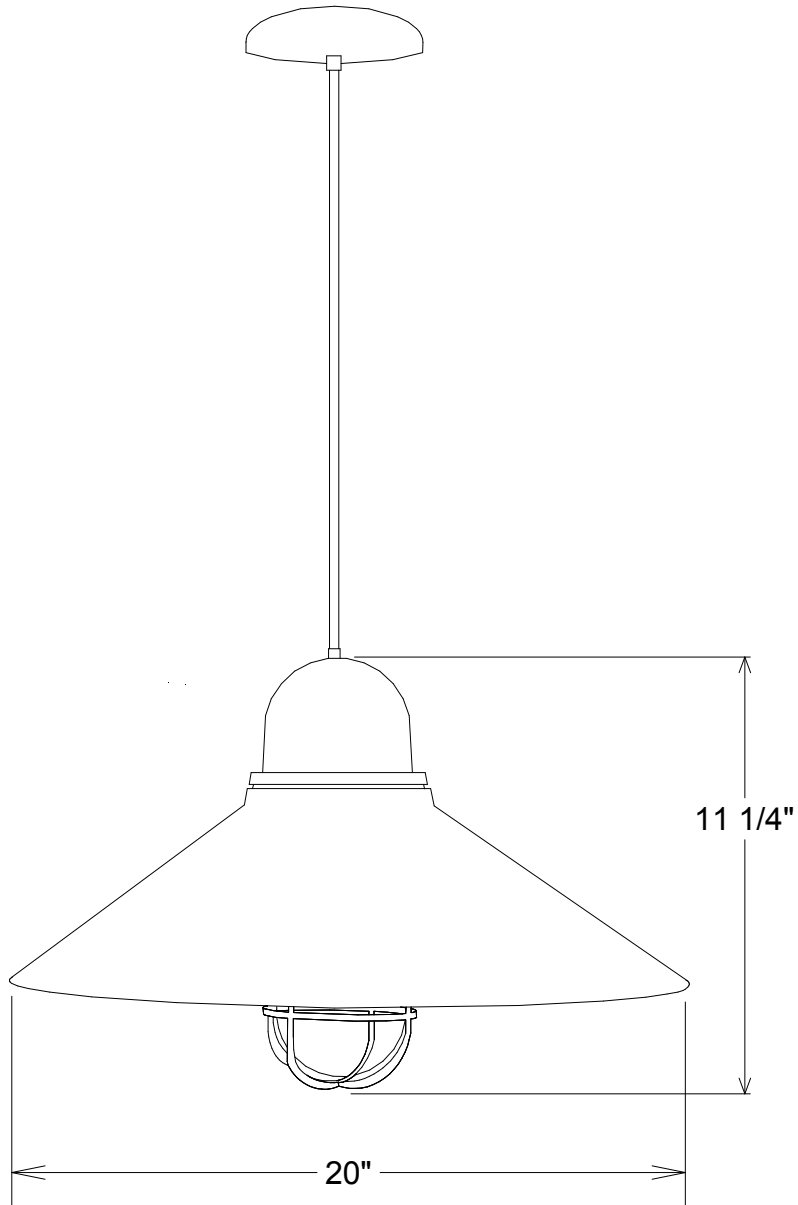


Revisions				
Zone	Rev	Description	Date	Approved



<b>Unless Otherwise Specified:</b> Dimensions in Inches Tolerances: Fractional ± Angular: Mach ± Bend ± Two Place Decimal ± Three Place Decimal ±	<b>Name</b> T.A.R.	<b>Date</b> 3/1/10	<b>Primelite Mfg. Corp.</b>  <b>423/20-4 WG</b>  <b>Prismatic clear jelly jar</b>					
	<b>Drawn</b>	<b>Checked</b>			<b>ENG Appr.</b>			
	<b>MFR Appr.</b>	<b>QA</b>			<b>Comments</b>			
	<b>Construction: All Aluminum</b>				CAD Generated Drawing Wire Guard Cat# WG3 sold separately  70W, 100W, and 150W Metal Halide also available	<b>Size</b> <b>A</b>	<b>Drawing No.</b> <b>0001</b>	<b>Rev</b> <b>A</b>
	<b>Lamp: 1-200A</b>	<b>Scale</b> <b>1:6</b>			<b>CAD File</b>	<b>Sheet</b> <b>1 of 1</b>		