

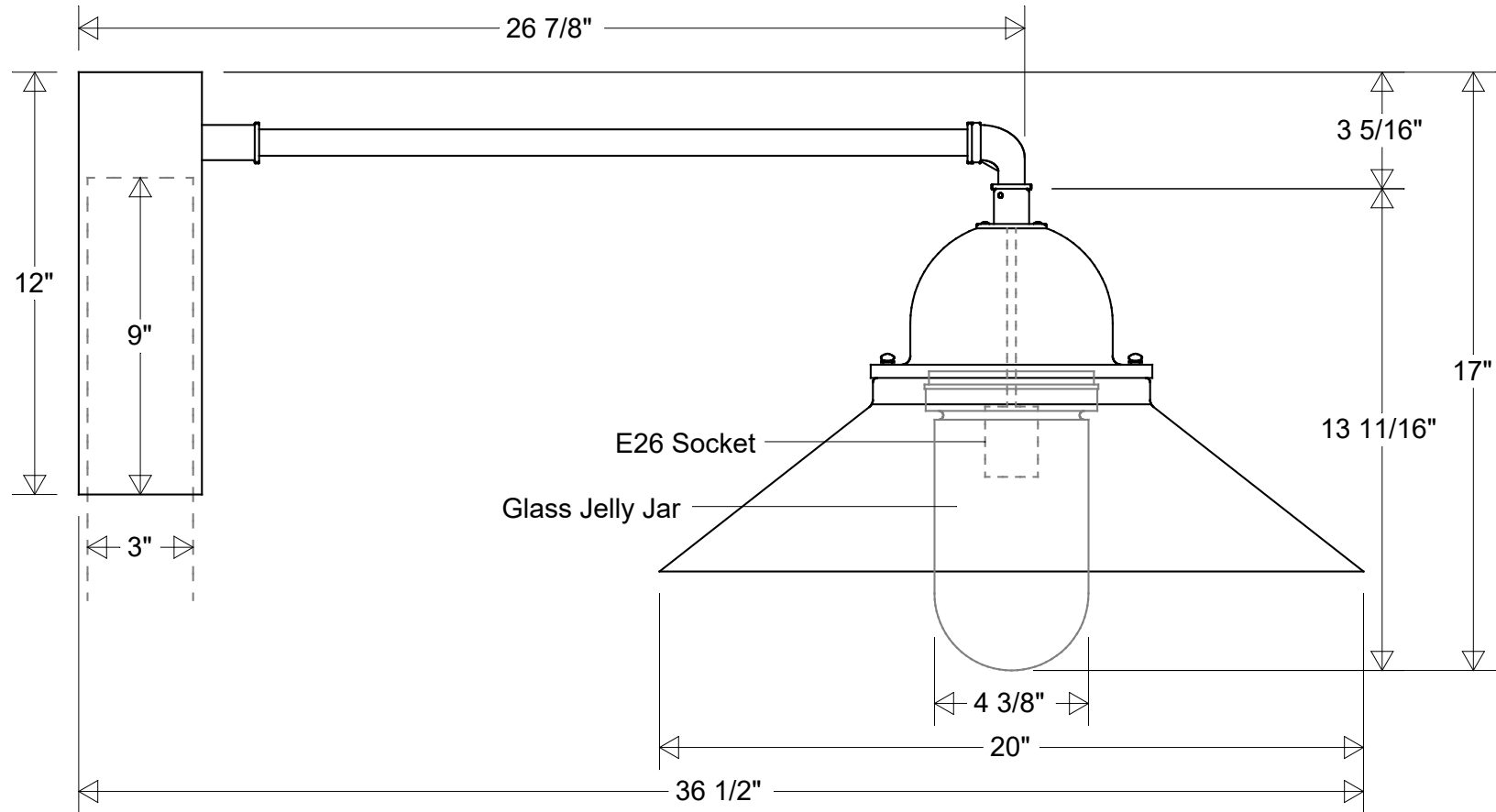



Primelite Manufacturing Corp

407 S Main St, Freeport, NY 11520

Phone: 516-868-4411 | Fax: 516-868-4609
 sales@primelite-mfg.com | www.primelite-mfg.com

PART # #423/20-1855	LAMP E26 Socket	VOLTAGE 120 V	COLOR Powder Coated Paint
JOB NAME			TYPE Gooseneck Post Light



Lamp: E26 Socket Max Wattage: 200 W 	Initials	Date	Post Light #423/20-1855		
	Drawn	CB			
	Checked			20" Dia 36 1/2" Ext 17" H Fits 3" OD Round Posts & Pier Mounts Glass Jelly Jar: Clear (/4) Frosted (/5)	
ENG Appr.					
Construction: Aluminum Glass	MFR Appr.		Size	Drawing No.	Rev
	QA		A	0001	A
Unless Otherwise Specified: Dimensions in Inches	Weight:		Scale	CAD File	Sheet
					1 of 1

Revisions				
Zone	Rev	Description	Date	Appr