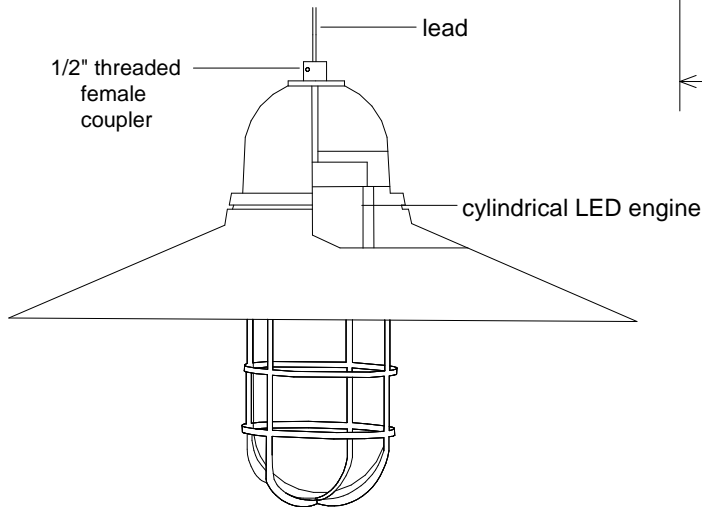
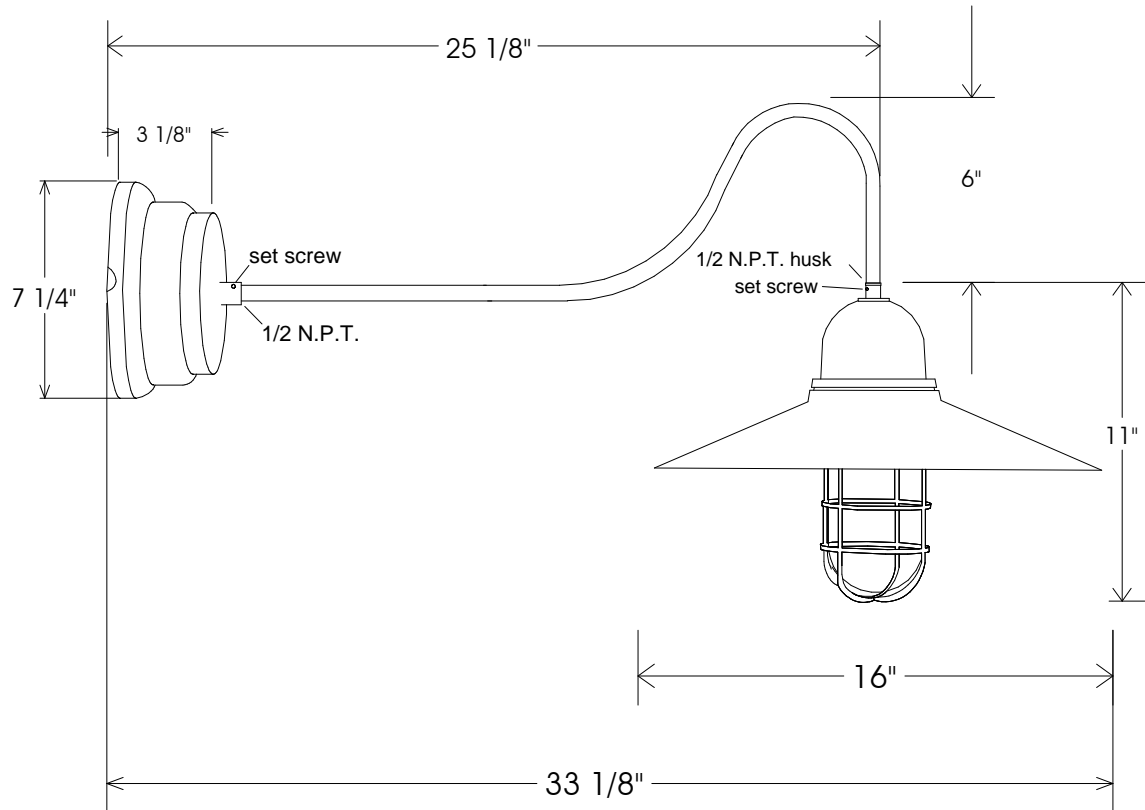
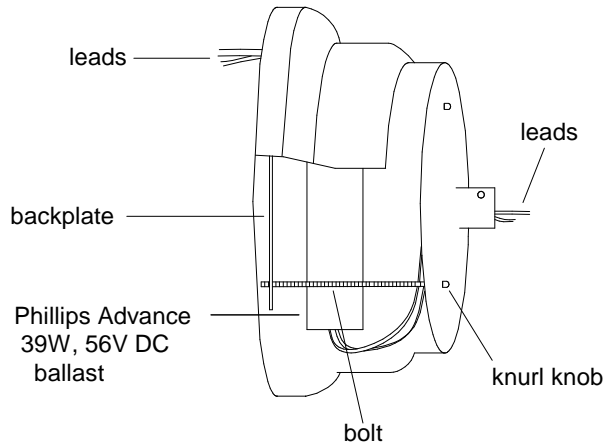


Small Ballast Pot Canopy



427/16A Shade

- 50,000 hour life
- Average savings is \$39.42 per year as compared to a 75 Watt incandescent
- Savings of \$ 518.16 for the life of the fixture
- Lumen output is equal to a 75 Watt bulb.

Unless Otherwise Specified: Dimensions in Inches Tolerances: Fractional ± Angular: Mach ± Bend ± Two Place Decimal ± Three Place Decimal ±	Drawn	Name	Date	Primelite Mfg. Corp. 423/16-857 LED 30 Watt 1000 Lumens @ 3000K 1100 Lumens @ 4000K 24 Volt Output, Dimmable		
	Checked	T.A.R.	02/07/12			
	ENG Appr.					
	MFR Appr.					
	QA					
Construction: All Aluminum	Comments			Size	Drawing No.	Rev
Pipe Size: 1/2"	CAD Generated Drawing Do Not Manually Update			A	0001	A
	Scale	CAD File	Sheet	1 of 1		