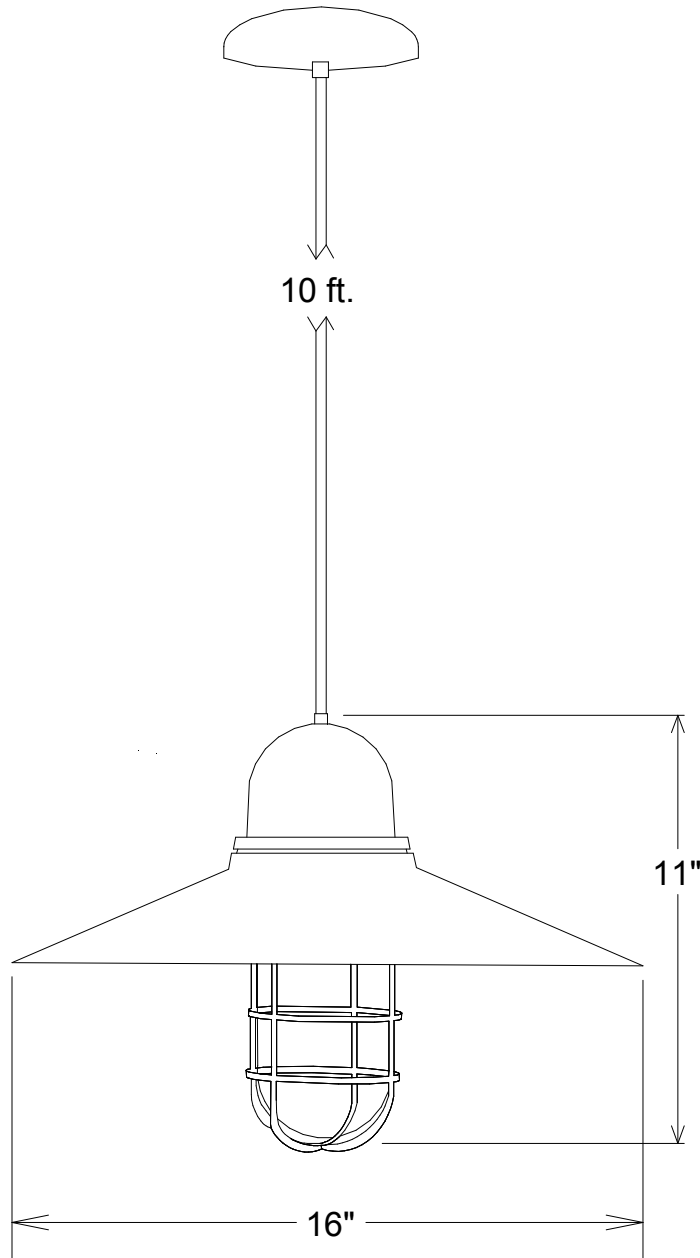


Revisions				
Zone	Rev	Description	Date	Approved



Unless Otherwise Specified: Dimensions in Inches Tolerances: Fractional ± Angular: Mach ± Bend ± Two Place Decimal ± Three Place Decimal ±	Name	Date	Primelite Mfg. Corp. 423/16-4 WG Prismatic clear jelly jar w/ wire guard		
	Drawn	T.A.R.			06/09/10
	Checked				
	ENG Appr.				
	MFR Appr.				
QA			Size Drawing No. Rev A 0001 A		
Construction: All Aluminum	Comments CAD Generated Drawing Wire Guard Cat# WG3 sold separately 70W, 100W, and 150W Metal Halide also available		Scale CAD File Sheet 1:4 1 of 1		
Lamp: 1-100A					