



# Primelite Manufacturing Corp

407 S Main St, Freeport, NY 11520

Phone: 516-868-4411 | Fax: 516-868-4609  
 sales@primelite-mfg.com | www.primelite-mfg.com

PART #  
**# 423/10-  
 WG-863**

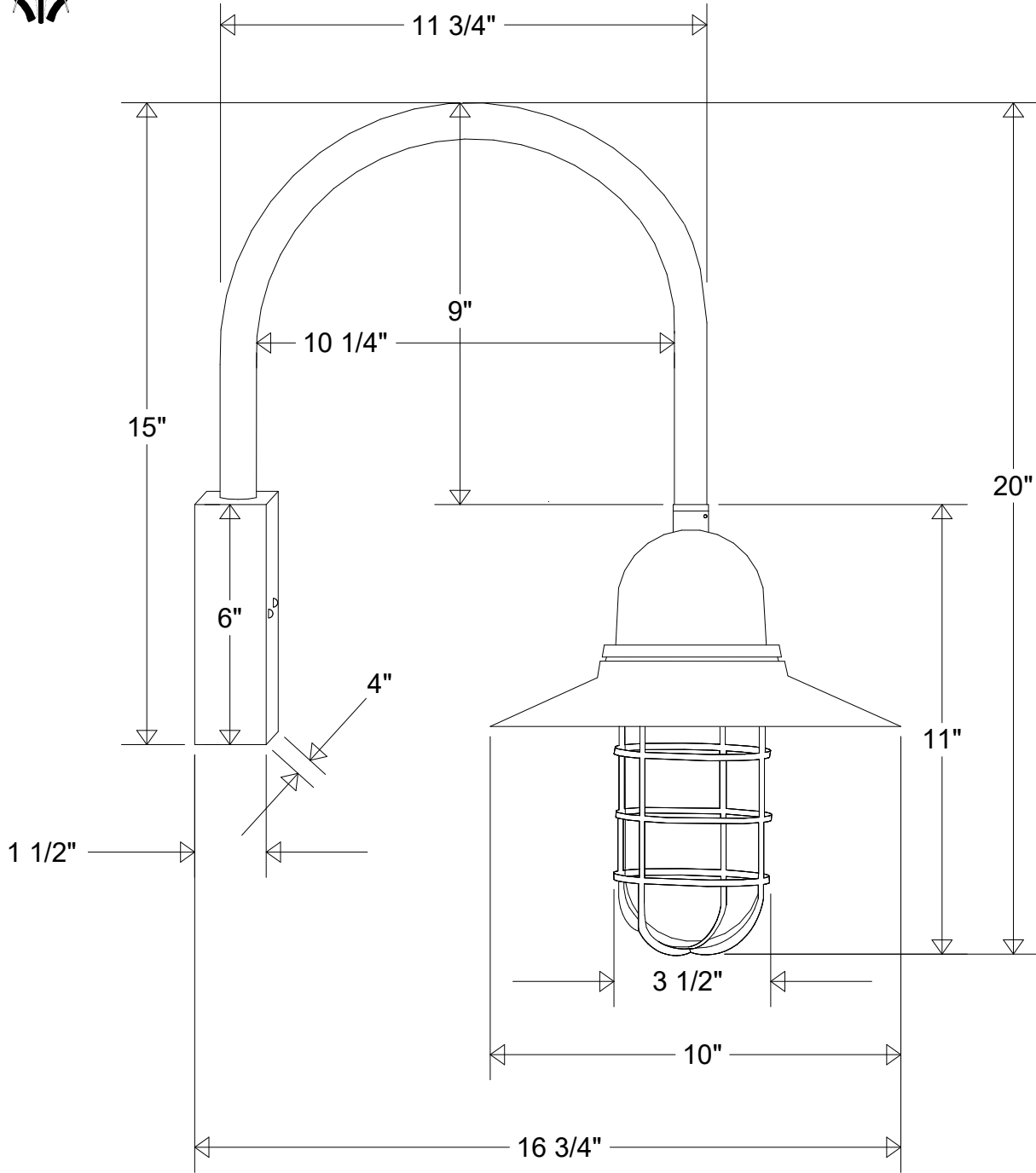
LAMP  
 Incandescent | LED

VOLTAGE  
 120 V

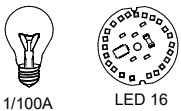
COLOR  
 Powder  
 Coated Paint

JOB NAME

TYPE  
**Gooseneck**



Lamp: Incandescent | LED



Construction: Aluminum

Unless Otherwise Specified:  
 Dimensions in Inches

	Name	Date	Gooseneck #423/10-WG-863		
Drawn	CB	10/19	10" Dia   20" H   16 3/4" Ext		
Checked					
ENG Appr.					
MFR Appr.					
QA			Size	Drawing No.	Rev
Weight			<b>A</b>	<b>0001</b>	<b>A</b>
			Scale	CAD File	Sheet
					<b>1 of 1</b>

Revisions				
Zone	Rev	Description	Date	Approved