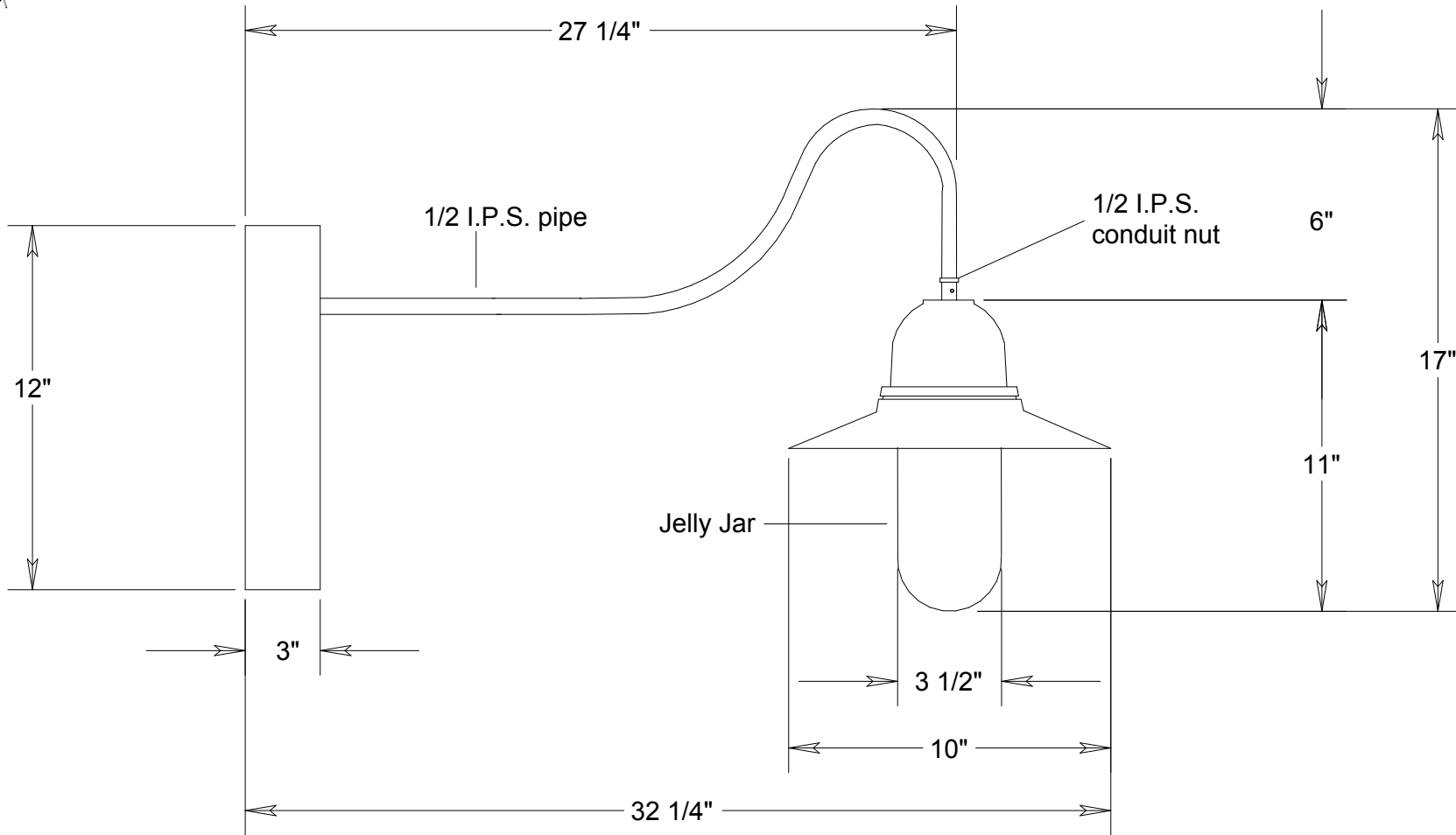





# Primelite Manufacturing Corp

407 S Main St, Freeport, NY 11520  
 Phone: 516-868-4411 | Fax: 516-868-4609  
 sales@primelite-mfg.com | www.primelite-mfg.com

<b>PART #</b> #423/10-4-1850	<b>LAMP</b> Incandescent   LED	<b>VOLTAGE</b> 120 V	<b>COLOR</b> Powder Coated Paint
<b>JOB NAME</b>			<b>TYPE</b> Gooseneck



<b>Lamp: Incandescent   LED</b>   1/100A	<b>Name</b>	<b>Date</b>	<b>Gooseneck #423/10-4-1850</b>			
	<b>Drawn</b>	CB				4/2019
	<b>Checked</b>			10" Dia Shade   27 1/4" Arm   Clear Jelly Jar		
	<b>ENG Appr.</b>					
	<b>MFR Appr.</b>			<b>Size</b>	<b>Drawing No.</b>	<b>Rev</b>
<b>QA</b>			<b>A</b>	<b>0001</b>	<b>A</b>	
<b>Construction: Aluminum</b>	<b>Weight</b>		<b>Scale</b>	<b>CAD File</b>	<b>Sheet</b>	
<b>Unless Otherwise Specified: Dimensions in Inches</b>					<b>1 of 1</b>	

Revisions				
Zone	Rev	Description	Date	Approved