

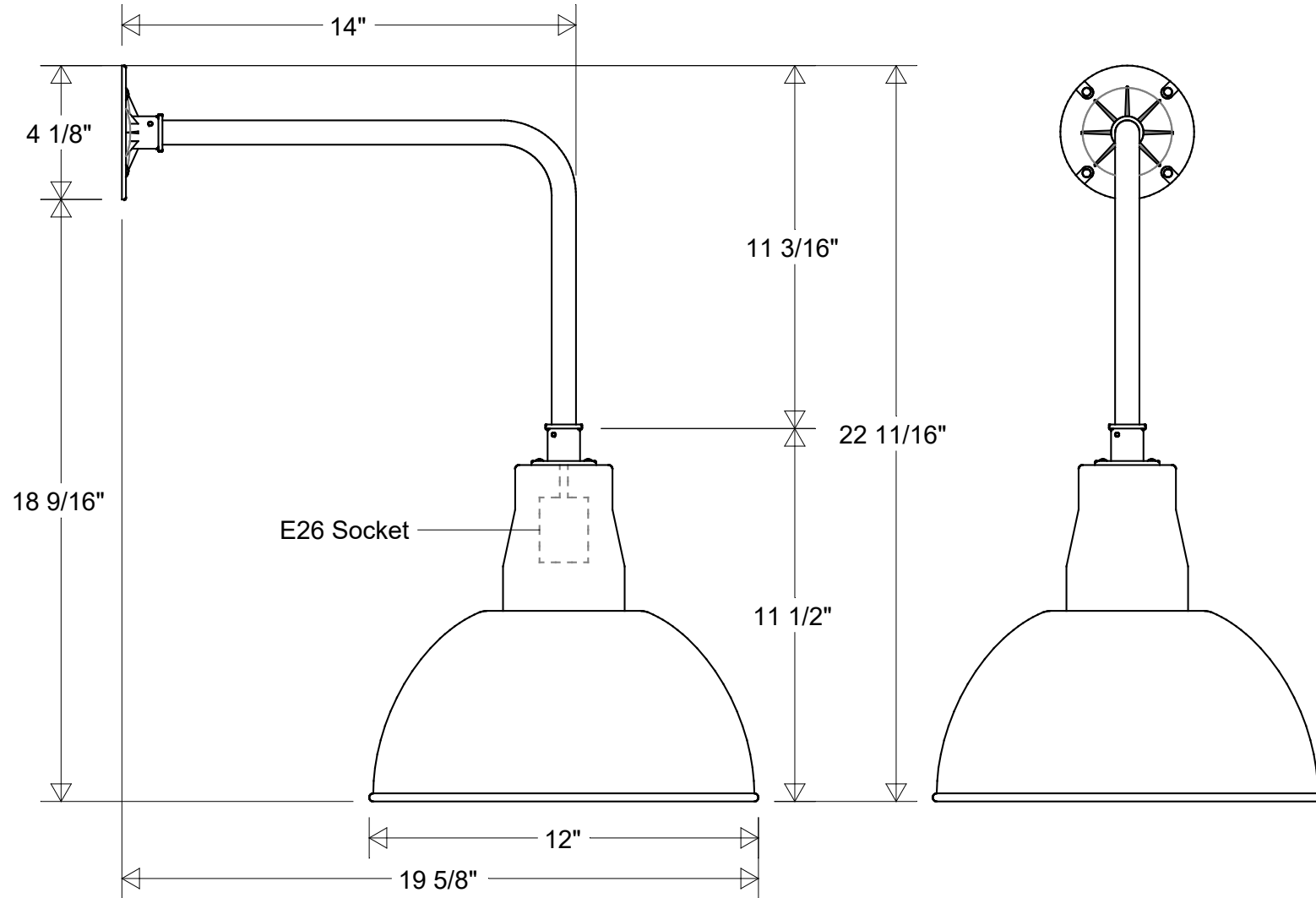



Primelite Manufacturing Corp

407 S Main St, Freeport, NY 11520

Phone: 516-868-4411 | Fax: 516-868-4609
 sales@primelite-mfg.com | www.primelite-mfg.com

PART # #41/12-870	LAMP E26 Socket	VOLTAGE 120 V	COLOR Powder Coated Paint
JOB NAME			TYPE Gooseneck



Lamp: E26 Socket Max Wattage: 75 W 	Initials	Date	Gooseneck #41/12-870																													
	Drawn	CB						12/2022																								
	Checked			12" Dia 19 5/8" Ext 22 11/16" H		Revisions <table border="1"> <thead> <tr> <th>Zone</th> <th>Rev</th> <th>Description</th> <th>Date</th> <th>Appr</th> </tr> </thead> <tbody> <tr><td> </td><td> </td><td> </td><td> </td><td> </td></tr> <tr><td> </td><td> </td><td> </td><td> </td><td> </td></tr> <tr><td> </td><td> </td><td> </td><td> </td><td> </td></tr> <tr><td> </td><td> </td><td> </td><td> </td><td> </td></tr> </tbody> </table>			Zone	Rev	Description	Date	Appr																			
Zone	Rev	Description	Date	Appr																												
ENG Appr.			11 3/16" Drop 18 9/16" Below Box																													
Construction: Aluminum	MFR Appr.		Size	Drawing No.	Rev																											
	QA		A	0001	A																											
Unless Otherwise Specified: Dimensions in Inches	Weight:		Scale	CAD File	Sheet	1 of 1																										