



# Primelite Manufacturing Corp

407 S Main St, Freeport, NY 11520

Phone: 516-868-4411 | Fax: 516-868-4609

sales@primelite-mfg.com | www.primelite-mfg.com

PART #

#41/12-870 LED 22

LAMP

Built-In LED

VOLTAGE

120 V

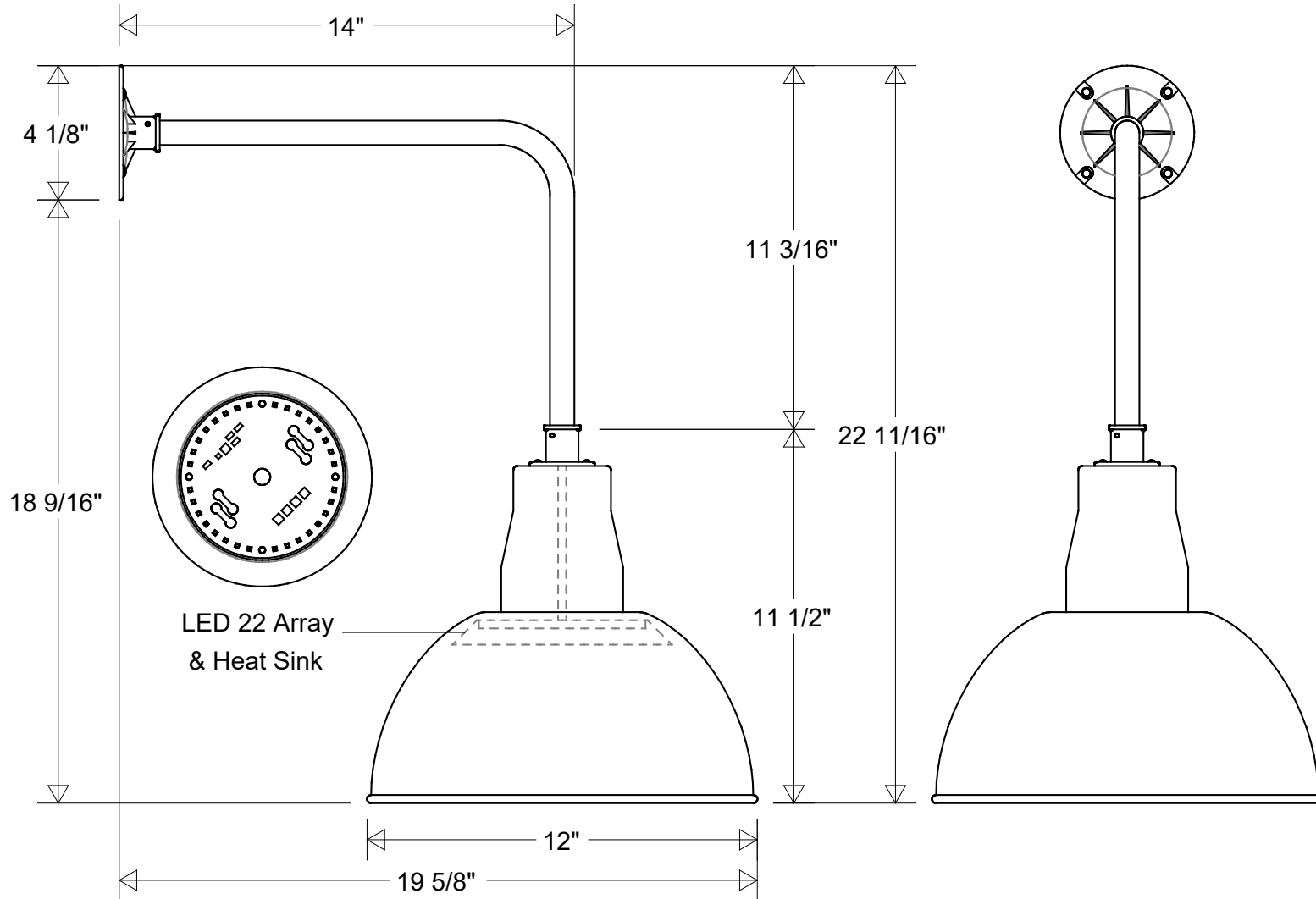
COLOR

Powder Coated Paint

JOB NAME

TYPE

Gooseneck



Lamp: LED 22 Array  
100 W Inc Equivalent  
3K = 1950 Lumens  
4K = 2130 Lumens



	Initials	Date
Drawn	CB	12/2022
Checked		
ENG Appr.		
MFR Appr.		
QA		

## Gooseneck #41/12-870 LED 22

12" Dia | 19 5/8" Ext | 22 11/16" H

11 3/16" Drop | 18 9/16" Below Box

Size	Drawing No.	Rev
<b>A</b>	<b>0001</b>	<b>A</b>

Unless Otherwise Specified:  
Dimensions in Inches

Weight:

Scale	CAD File	Sheet
		<b>1 of 1</b>

Revisions				
Zone	Rev	Description	Date	Appr