

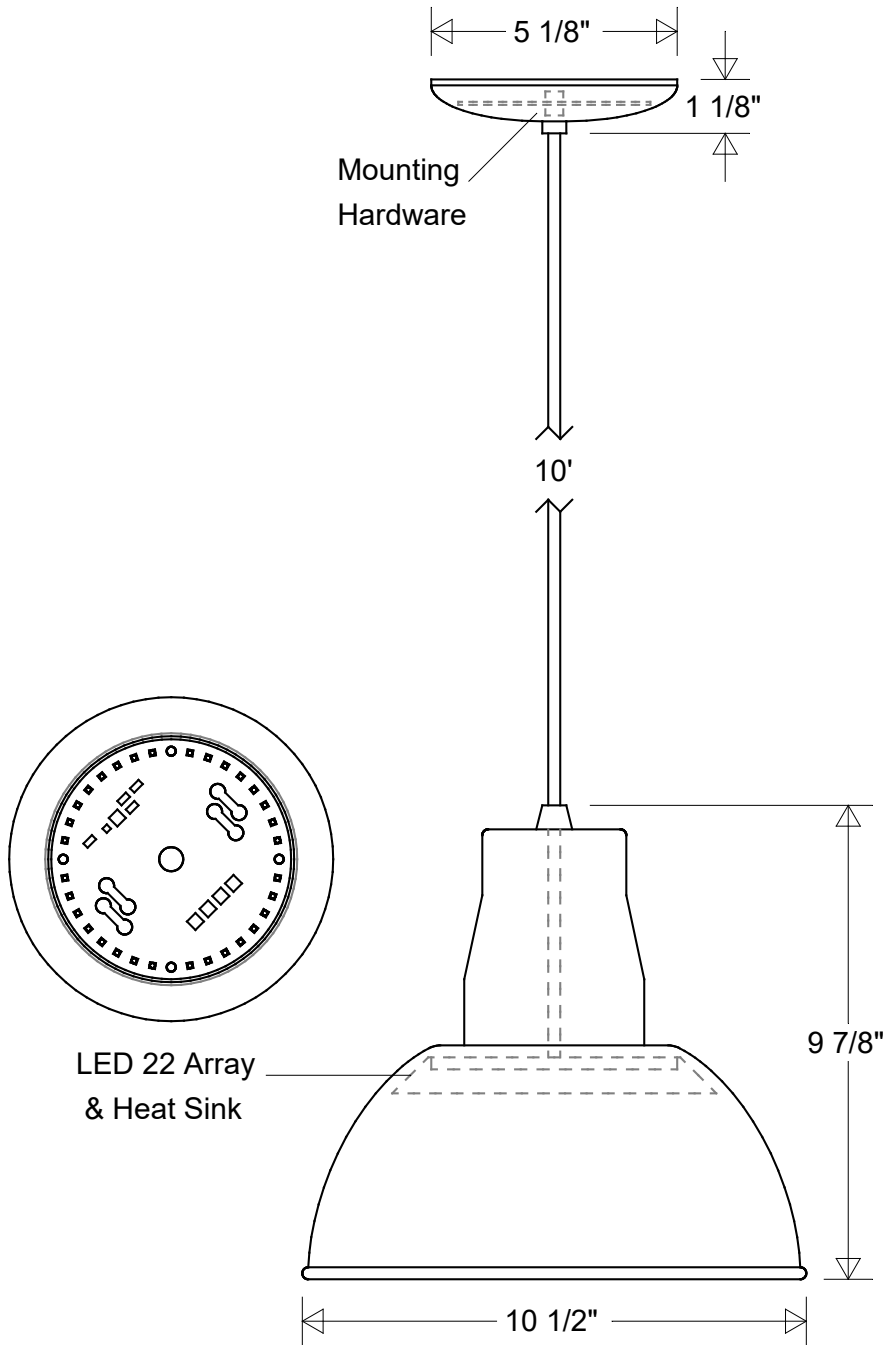


# Primelite Manufacturing Corp

407 S Main St, Freeport, NY 11520

Phone: 516-868-4411 | Fax: 516-868-4609

<b>PART #</b> #41/10 LED 22	<b>LAMP</b> Built-In LED	<b>VOLTAGE</b> 120 V	<b>COLOR</b> Powder Coated Paint
<b>JOB NAME</b>			<b>TYPE</b> Pendant



**Lamp: LED 22 Array**  
100 W Inc Equivalent  
3K = 1850 Lumens  
4K = 1900 Lumens



	<b>Initials</b>	<b>Date</b>
<b>Drawn</b>	CB	10/2022
<b>Checked</b>		
<b>ENG Appr.</b>		
<b>MFR Appr.</b>		
<b>QA</b>		

## Pendant #41/10 LED 22

10 1/2" Dia | 9 7/8" H | 5 1/8" x 1 1/8" Canopy  
10' Vinyl Cord: Black | White

<b>Size</b>	<b>Drawing No.</b>	<b>Rev</b>
<b>A</b>	<b>0001</b>	<b>A</b>

Revisions				
Zone	Rev	Description	Date	Appr

**Construction:**  
Aluminum

**Unless Otherwise Specified:**  
Dimensions in Inches

**Weight:**

**Scale**      **CAD File**      **Sheet**  
**1 of 1**