

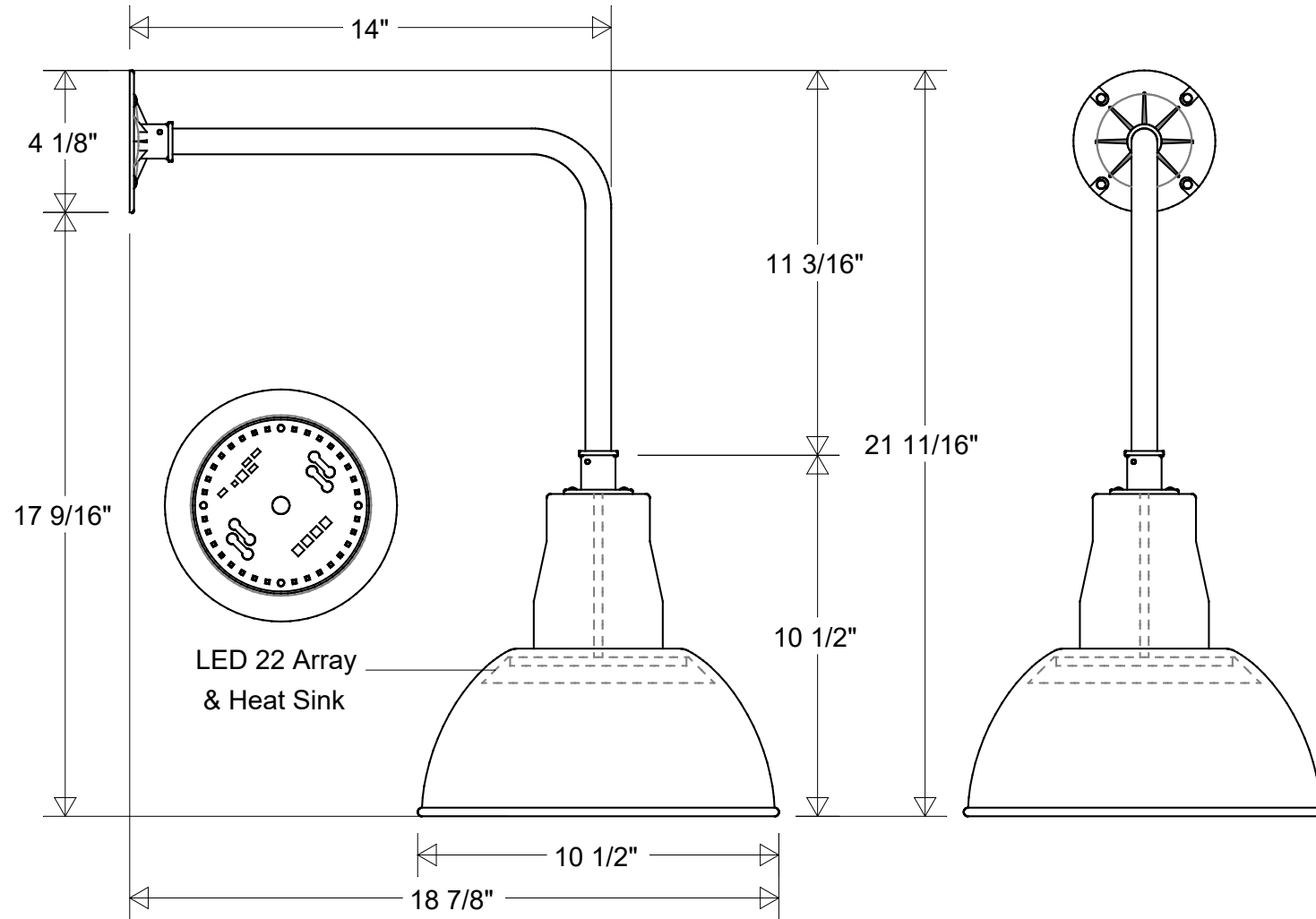


# Primelite Manufacturing Corp

407 S Main St, Freeport, NY 11520

Phone: 516-868-4411 | Fax: 516-868-4609  
 sales@primelite-mfg.com | www.primelite-mfg.com

PART # #41/10-870 LED 22	LAMP Built-In LED	VOLTAGE 120 V	COLOR Powder Coated Paint
JOB NAME			TYPE Gooseneck



Lamp: LED 22 Array  
 100 W Inc Equivalent  
 3K = 1850 Lumens  
 4K = 1900 Lumens



	Initials	Date
Drawn	CB	10/2022
Checked		
ENG Appr.		
MFR Appr.		
QA		

## Gooseneck #41/10-870 LED 22

10 1/2" Dia | 18 7/8" Ext | 21 11/16" H

11 3/16" Drop | 17 9/16" Below Box

Size	Drawing No.	Rev
<b>A</b>	<b>0001</b>	<b>A</b>

Revisions				
Zone	Rev	Description	Date	Appr

Construction:  
Aluminum

Weight:

Scale CAD File Sheet  
**1 of 1**