



# Primelite Manufacturing Corp

407 S Main St, Freeport, NY 11520

Phone: 516-868-4411 | Fax: 516-868-4609  
 sales@primelite-mfg.com | www.primelite-mfg.com

PART #  
#41/10-1852

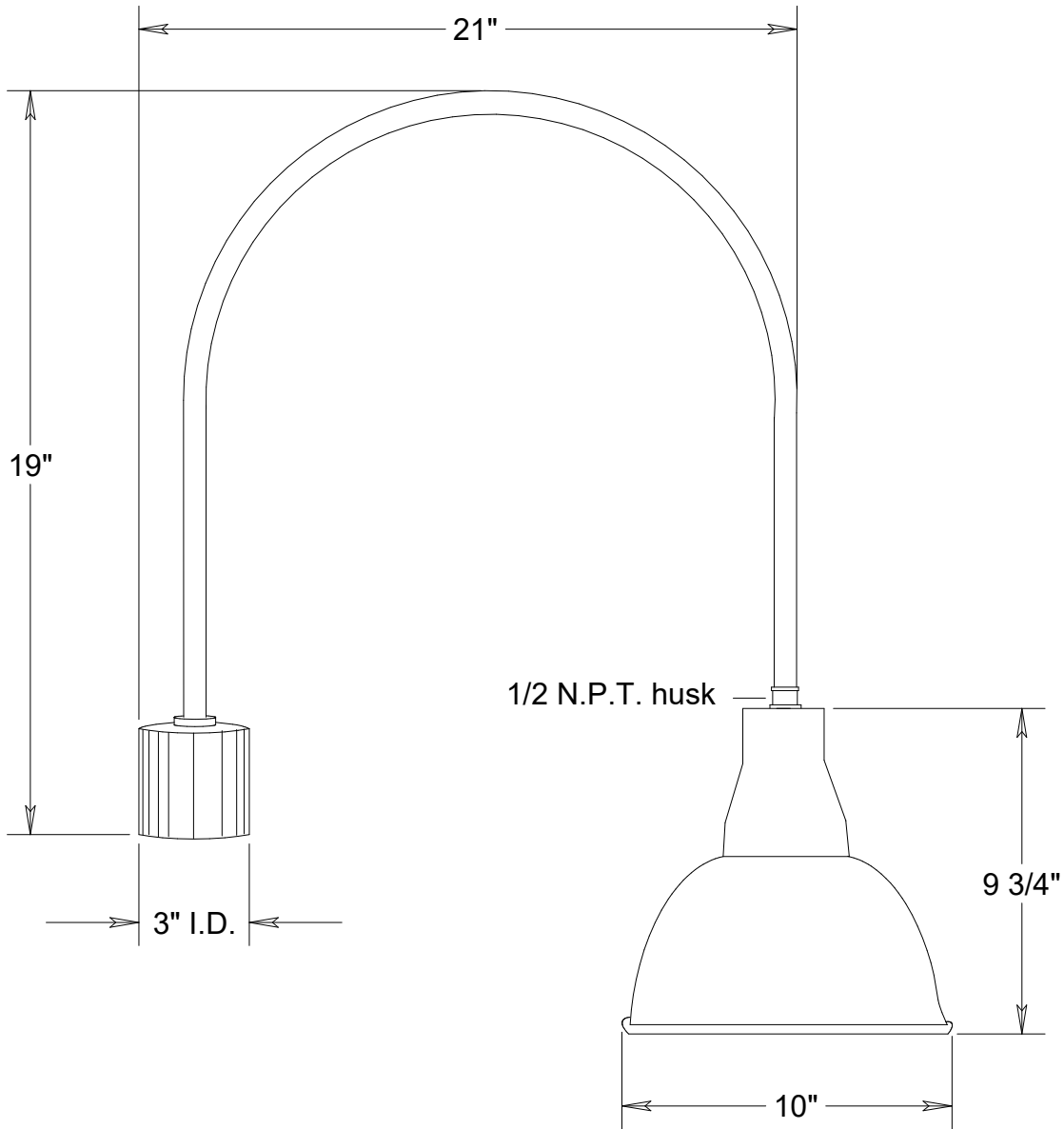
LAMP  
Incandescent | LED

VOLTAGE  
120 V

COLOR  
Powder Coated Paint

JOB NAME

TYPE  
Post Mount



Lamp: Incandescent | LED



Name Date

Drawn CB 8/19

Checked

ENG Appr.

MFR Appr.

QA

Weight

## Post Mount #41/10-1852

21" Arm | 10" Dia | 1/2" Pipe  
3" Post Mount

Size

**A**

Drawing No.

**0001**

Rev

**A**

Construction: Aluminum

Unless Otherwise Specified:  
Dimensions in Inches

Scale

CAD File

Sheet

**1 of 1**

Revisions				
Zone	Rev	Description	Date	Approved