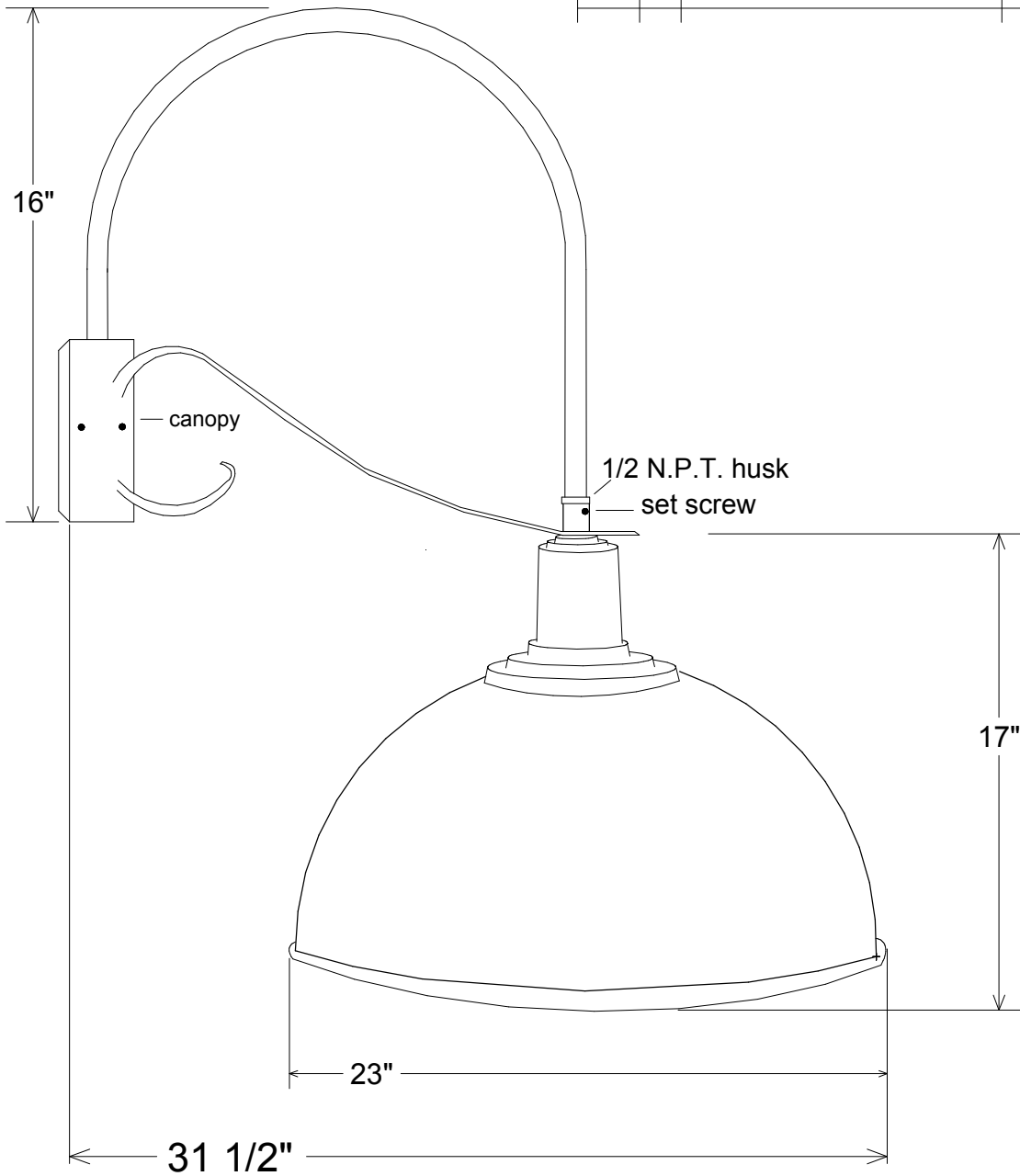


Revisions				
Zone	Rev	Description	Date	Approved



Unless Otherwise Specified: Dimensions in Inches Tolerances: Fractional ± Angular: Mach ± Bend ± Two Place Decimal ± Three Place Decimal ±		Name	Date	Primelite Mfg. Corp. 40/23-866 SCA			
	Drawn	T.A.R.	12/10/09				
	Checked				Size A	Drawing No. 0001	Rev A
	ENG Appr.						
	MFR Appr.						
QA				Scale 1:5	CAD File	Sheet 1 of 1	
Comments	CAD Generated Drawing Do Not Manually Update						
Construction: All Aluminum							
Pipe Size: 1/2"							
Lamp: 1-300A							