

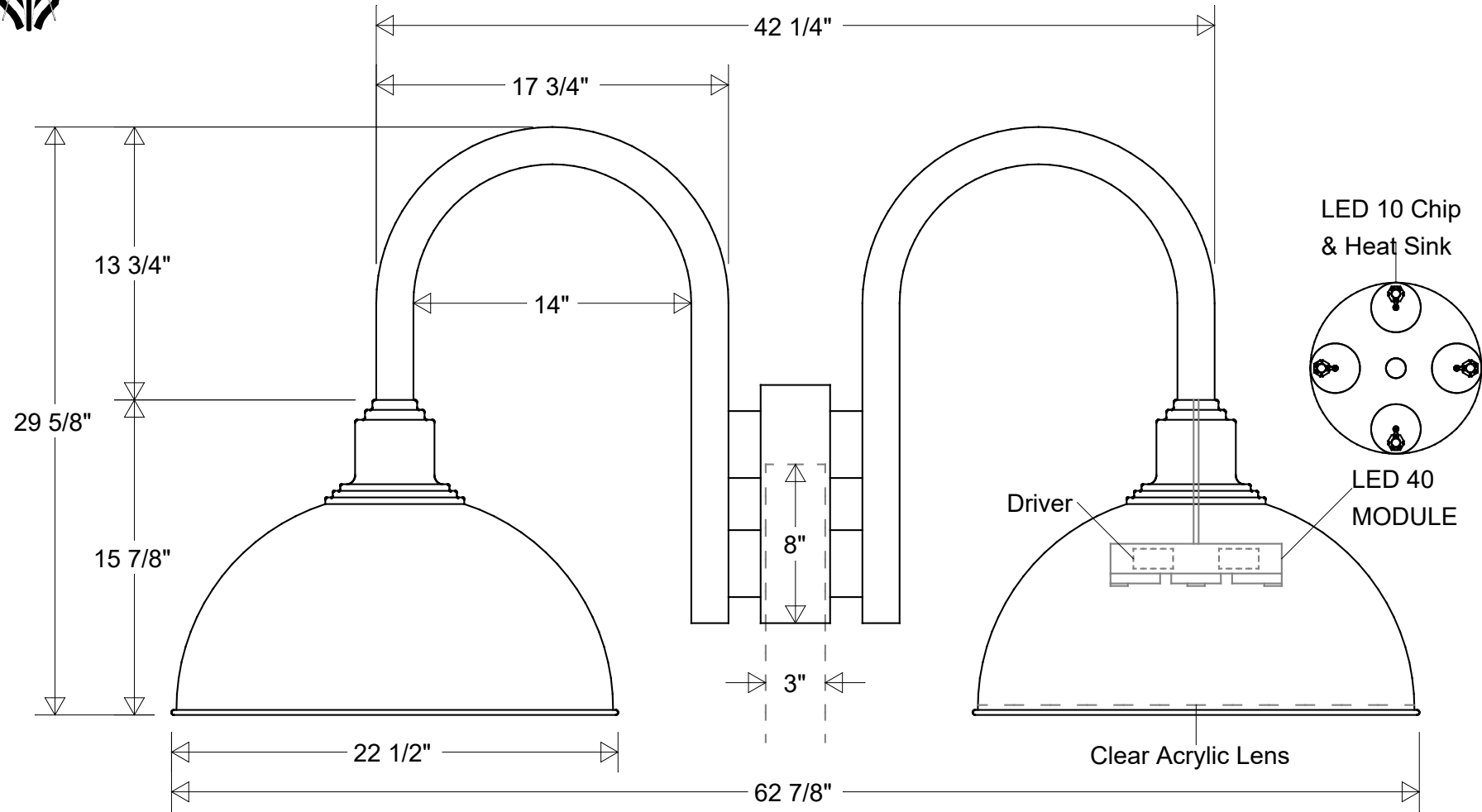


# Primelite Manufacturing Corp

407 S Main St, Freeport, NY 11520

Phone: 516-868-4411 | Fax: 516-868-4609  
 sales@primelite-mfg.com | www.primelite-mfg.com

PART # #40/23-1961	LAMP LED 80	VOLTAGE 120-277 V	COLOR Powder Coated Paint
JOB NAME		TYPE Heavy Gauge Gooseneck Post Light	



<b>Lamp: LED 40</b> 150 W MH Equivalent 3K = 6564 Lumens 4K = 6756 Lumens	Initials		Date		<h2>#40/23-1961 LED 80</h2>
	Drawn	CB	05/2023		
	Checked				
	ENG Appr.				
Construction: Aluminum   Clear Acrylic Lens	MFR Appr.		Size	Drawing No.	Rev
	QA		<b>A</b>	<b>0001</b>	<b>A</b>
Unless Otherwise Specified: Dimensions in Inches	Weight:		Scale	CAD File	Sheet
					<b>1 of 1</b>

Revisions				
Zone	Rev	Description	Date	Appr