

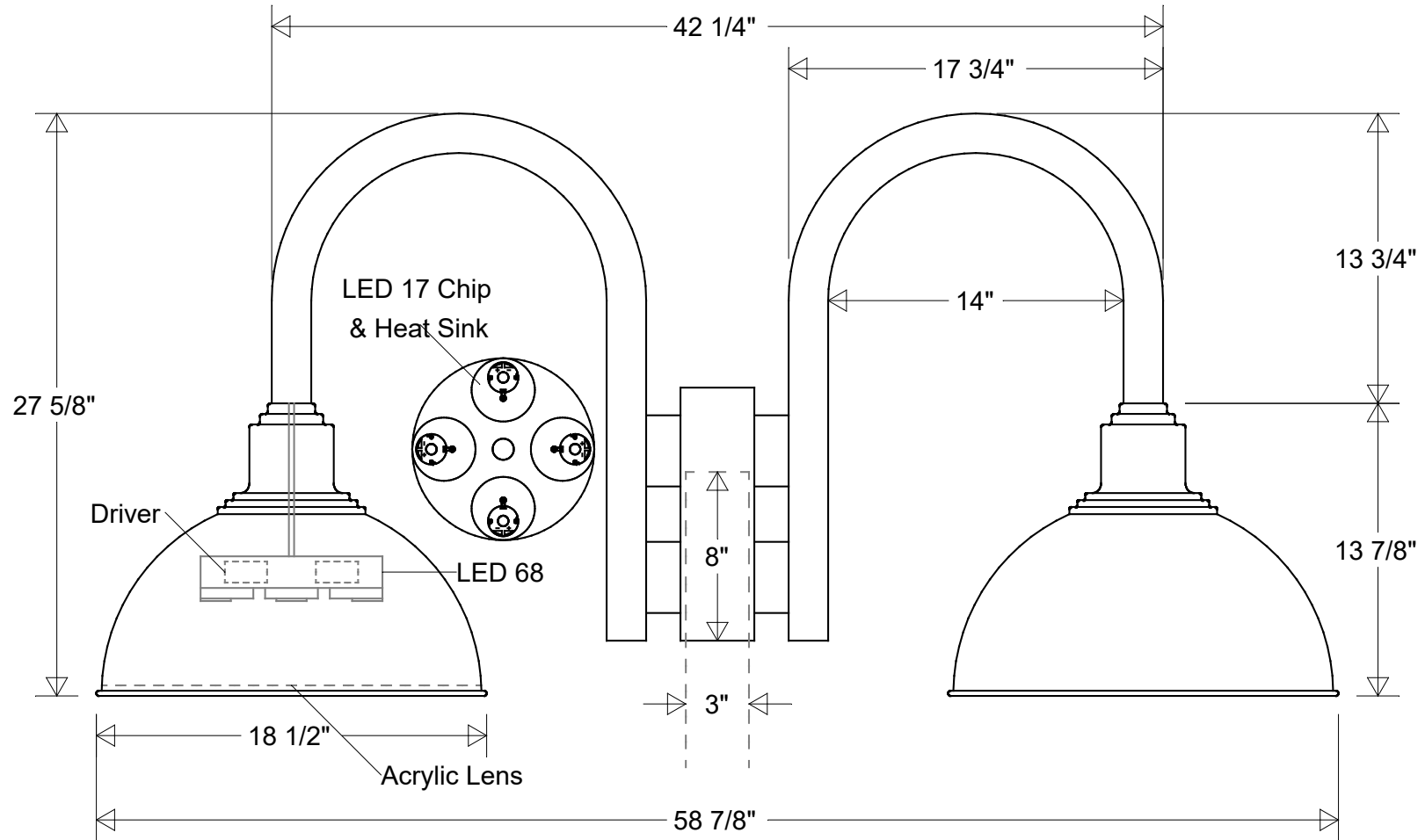


# Primelite Manufacturing Corp

407 S Main St, Freeport, NY 11520

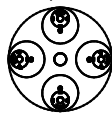
Phone: 516-868-4411 | Fax: 516-868-4609  
 sales@primelite-mfg.com | www.primelite-mfg.com

PART # #40/19-1961 LED 136	LAMP Built-In LED	VOLTAGE 120-277 V	COLOR Powder Coated Paint
JOB NAME		TYPE Heavy Gauge Gooseneck Post Light	



Lamp: LED 68 (4 X LED 17)

175 W MH Equivalent  
 3K = 11920 Lumens  
 4K = 12272 Lumens



Initials Date

Drawn CB 04/2023

Checked

ENG Appr.

MFR Appr.

QA

## #40/19-1961 LED 136

18 1/2" Dia | 58 7/8" Ext | 27 5/8" H

Clear Acrylic Lens | Fits 3" OD Round Posts & Pier Mounts

Size Drawing No. Rev  
**A 0001 A**

### Revisions

Zone	Rev	Description	Date	Appr

Construction:  
 Aluminum | Acrylic Lens

Unless Otherwise Specified:  
 Dimensions in Inches

Weight:

Scale CAD File Sheet  
**1 of 1**