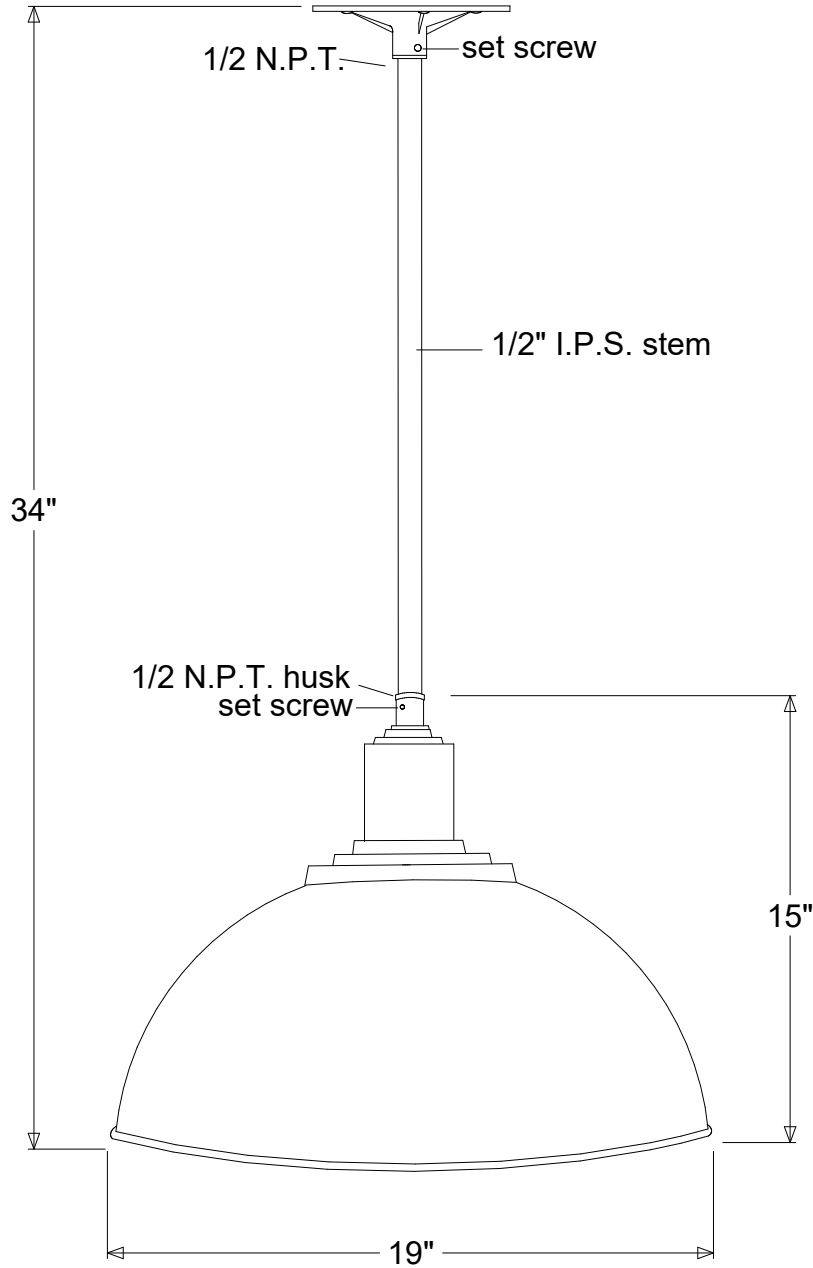







# Primelite Manufacturing Corp

407 S Main St, Freeport, NY 11520  
 Phone: 516-868-4411 | Fax: 516-868-4609  
 sales@primelite-mfg.com | www.primelite-mfg.com

PART # <b>#40/19-18</b>	LAMP Incandescent   LED	VOLTAGE 120 V	COLOR Powder Coated Paint
JOB NAME			TYPE Pendant



<b>Lamp: Incandescent   LED</b>    <b>1/100A   LED12   LED22</b>	Name		Date		<b>Pendant #40/19-18</b> 19" Dia Shade   18" Stem																																			
	Drawn	CB	8/19																																					
	Checked					<table border="1" style="width: 100%; border-collapse: collapse;"> <thead> <tr> <th colspan="5">Revisions</th> </tr> <tr> <th>Zone</th> <th>Rev</th> <th>Description</th> <th>Date</th> <th>Approved</th> </tr> </thead> <tbody> <tr><td> </td><td> </td><td> </td><td> </td><td> </td></tr> <tr><td> </td><td> </td><td> </td><td> </td><td> </td></tr> <tr><td> </td><td> </td><td> </td><td> </td><td> </td></tr> <tr><td> </td><td> </td><td> </td><td> </td><td> </td></tr> </tbody> </table>					Revisions					Zone	Rev	Description	Date	Approved																				
	Revisions																																							
Zone	Rev	Description	Date	Approved																																				
ENG Appr.																																								
MFR Appr.					Size	Drawing No.	Rev																																	
QA					<b>A</b>	<b>0001</b>	<b>A</b>																																	
Comments	Scale		CAD File	Sheet	<b>1 of 1</b>																																			
<b>Unless Otherwise Specified:</b> Dimensions in Inches																																								