

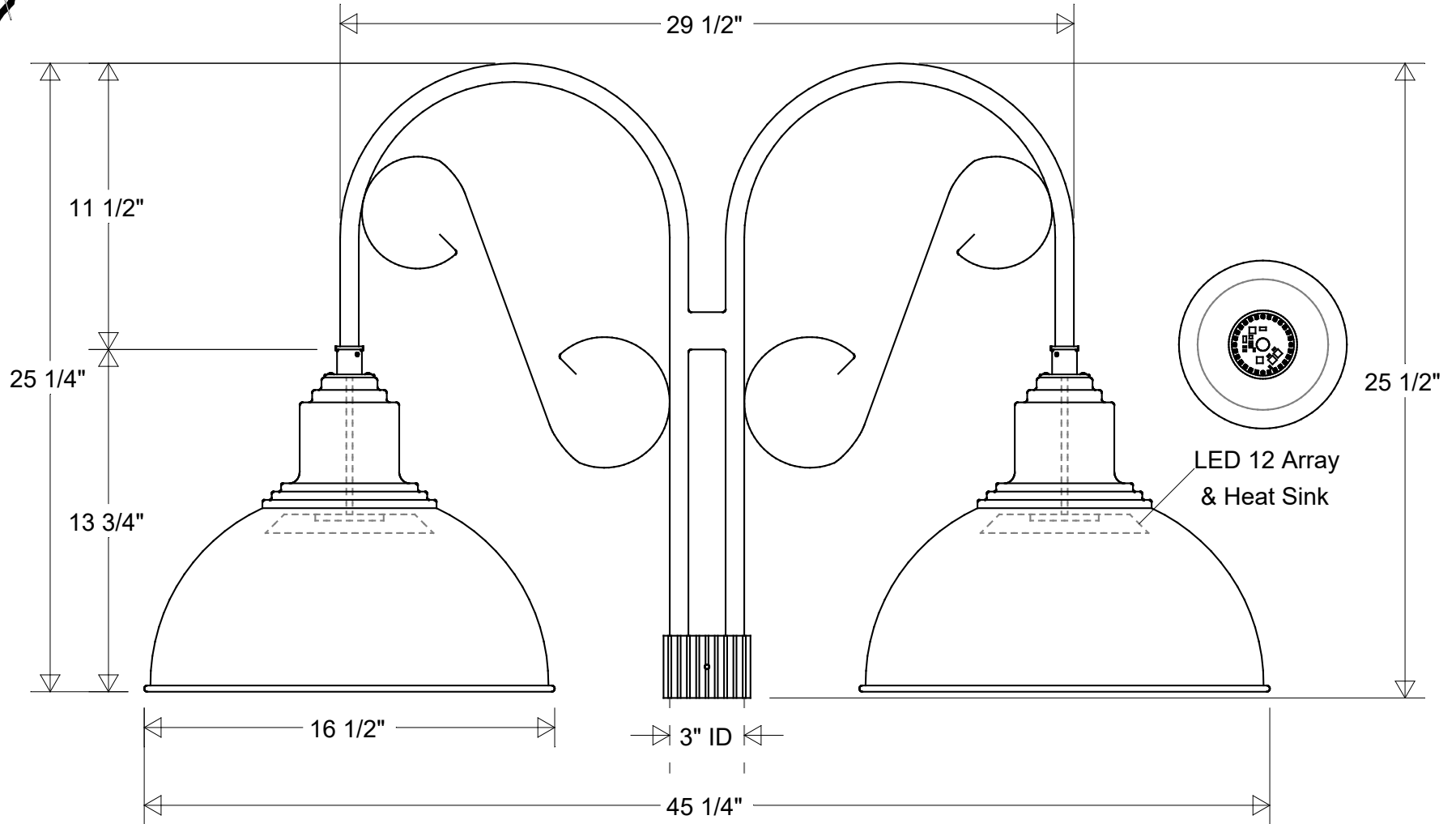


Primelite Manufacturing Corp

407 S Main St, Freeport, NY 11520

Phone: 516-868-4411 | Fax: 516-868-4609
 sales@primelite-mfg.com | www.primelite-mfg.com

PART # #40/16-1864 SCA LED 12	LAMP Built-In LED	VOLTAGE 120 V	COLOR Powder Coated Paint
JOB NAME			TYPE Post Light



Lamp: LED 12 Array
 60 W Inc Equivalent
 3K = 910 Lumens
 4K = 1000 Lumens



	Initials	Date
Drawn	CB	03/2022
Checked		
ENG Appr.		
MFR Appr.		
QA		

Post Light #40/16-1864 SCA LED 12

16 1/2" Dia | 45 1/4" W | 25 1/2" H

Fits 3" OD Round Post

Size	Drawing No.	Rev
A	0001	A

Revisions				
Zone	Rev	Description	Date	Appr

Construction: Aluminum	Weight:	Scale	CAD File	Sheet
Unless Otherwise Specified: Dimensions in Inches				1 of 1