

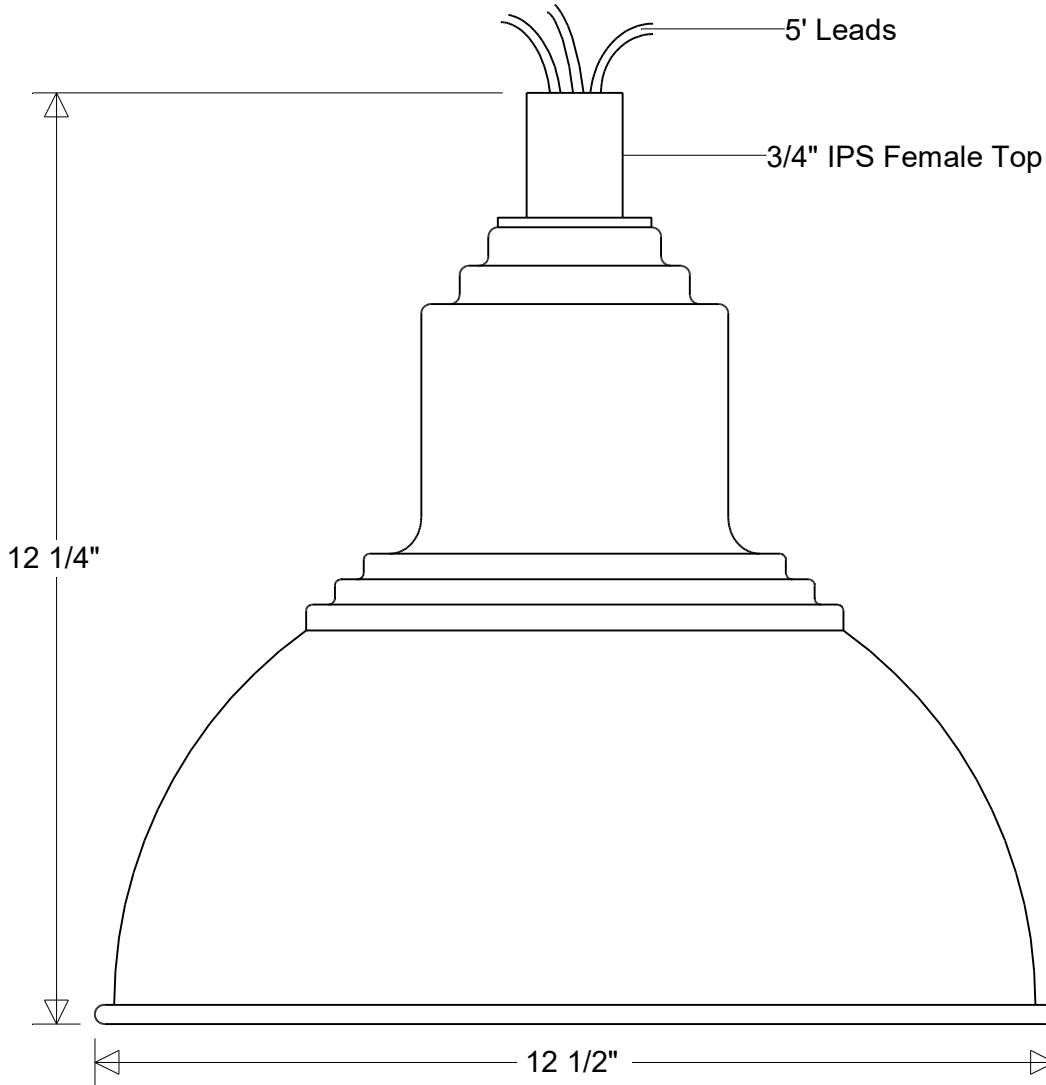


# Primelite Manufacturing Corp.

407 S Main St, Freeport, NY 11520  
Phone: (516) 868-4411 | Fax: (516) 868-4609  
sales@primelite-mfg.com | www.primelite-mfg.com

**PROUDLY MADE IN THE USA SINCE 1962!**  
**"SPECIALTIES ARE OUR SPECIALTY!"**

Job Info



## #40/12J Series

12 1/2" Dia | 12 1/4" H  
Fits 3/4" IPS Threaded Stems and Arms

**Lamp Options:**  
E26 Socket  
LED12 | LED22

**Finish:**  
29 Oven Baked  
Powder Coated Paints

**Material:**  
Aluminum

**Drawn:**  
CB  
05/2026

**Scale:**  
1 / 2.5

**Note:**  
All dimensions are nominal.  
Actual dimensions may vary.

Approvals

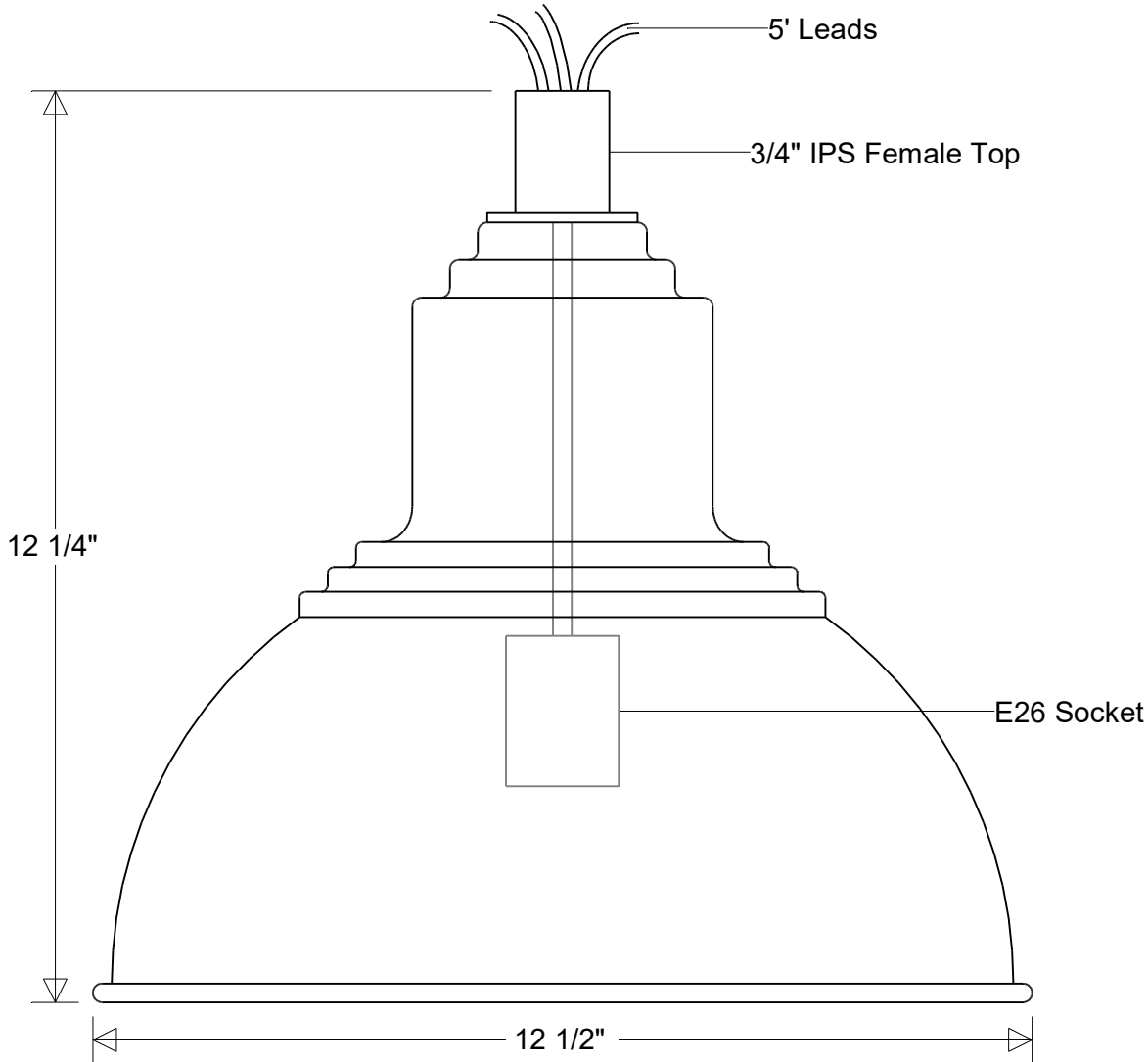


# Primelite Manufacturing Corp.

407 S Main St, Freeport, NY 11520  
 Phone: (516) 868-4411 | Fax: (516) 868-4609  
 sales@primelite-mfg.com | www.primelite-mfg.com

**PROUDLY MADE IN THE USA SINCE 1962!**  
**"SPECIALTIES ARE OUR SPECIALTY!"**

Job Info



## #40/12J

12 1/2" Dia | 12 1/4" H  
 Fits 3/4" IPS Threaded Stems and Arms

**Lamp: E26 Socket**

Max Wattage: 75 W

Number of Sockets: 1

120 V

**Finish:**

29 Oven Baked

Powder Coated Paints

**Material:**  
 Aluminum

**Drawn:**

CB

05/2026

**Scale:**

1 / 2.5

**Note:**

All dimensions are nominal.  
 Actual dimensions may vary.

**Approvals**

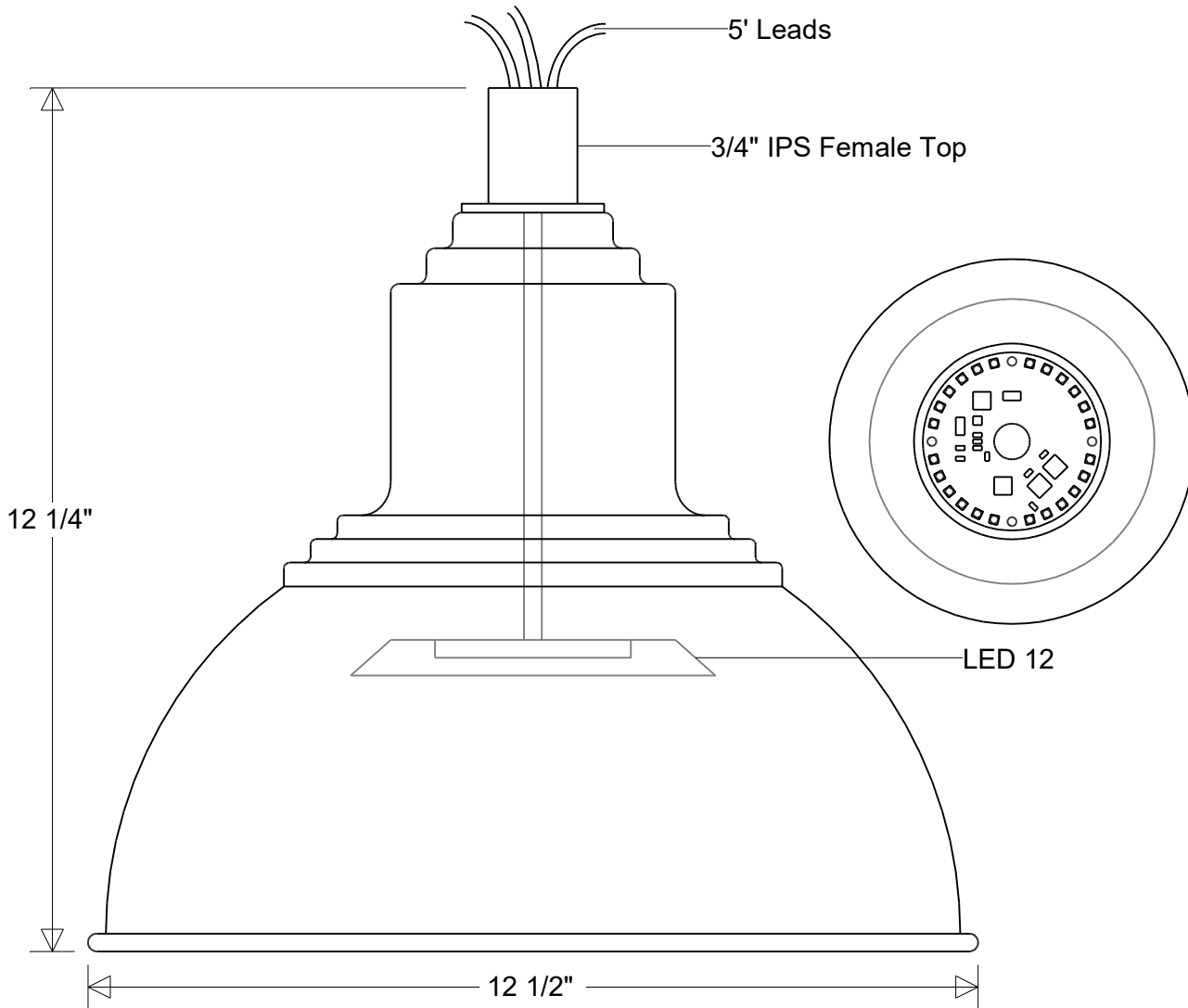



# Primelite Manufacturing Corp.

407 S Main St, Freeport, NY 11520  
 Phone: (516) 868-4411 | Fax: (516) 868-4609  
 sales@primelite-mfg.com | www.primelite-mfg.com

**PROUDLY MADE IN THE USA SINCE 1962!**  
**"SPECIALTIES ARE OUR SPECIALTY!"**

Job Info



## #40/12J LED 12

12 1/2" Dia | 12 1/4" H  
 Fits 3/4" IPS Threaded Stems and Arms

**Lamp: 12 W LED**  
 CCT: 3K or 4K  
 75W Inc Equivalent  
 80 CRI  
 120V  
 Electronic Dimming

**Finish:**  
 29 Oven Baked  
 Powder Coated Paints  
**Material:**  
 Aluminum

**Drawn:**  
 CB  
 05/2026

**Scale:**  
 1 / 2.5

**Note:**  
 All dimensions are nominal.  
 Actual dimensions may vary.

Approvals

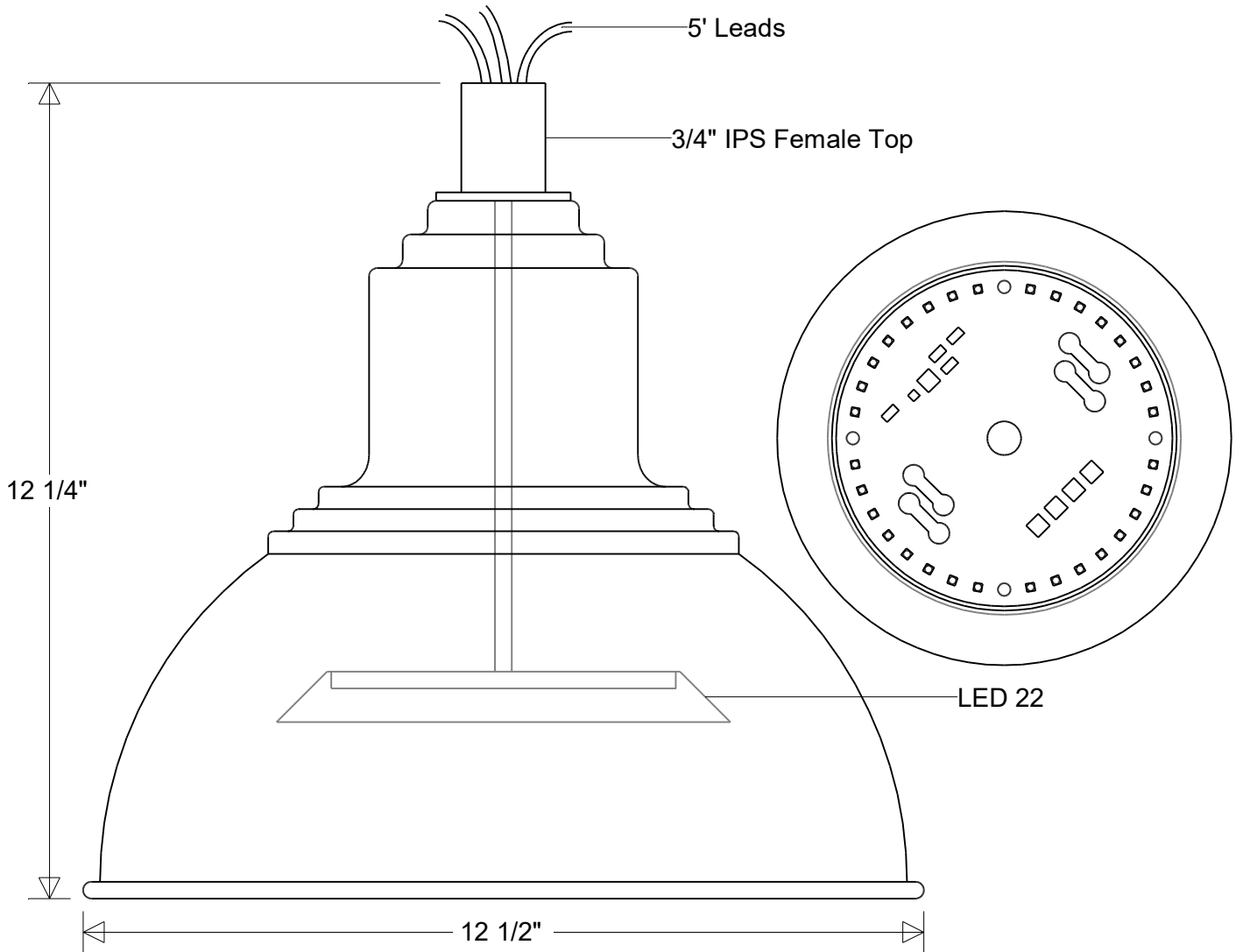


# Primelite Manufacturing Corp.

407 S Main St, Freeport, NY 11520  
 Phone: (516) 868-4411 | Fax: (516) 868-4609  
 sales@primelite-mfg.com | www.primelite-mfg.com

**PROUDLY MADE IN THE USA SINCE 1962!**  
**"SPECIALTIES ARE OUR SPECIALTY!"**

Job Info



## #40/12J LED 22

12 1/2" Dia | 12 1/4" H  
 Fits 3/4" IPS Threaded Stems and Arms

**Lamp: 22 W LED**  
 CCT: 3K or 4K  
 125W Inc Equivalent  
 80 CRI  
 120V  
 Electronic Dimming

**Finish:**  
 29 Oven Baked  
 Powder Coated Paints  
**Material:**  
 Aluminum

**Drawn:**  
 CB  
 05/2026

**Scale:**  
 1 / 2.5

**Note:**  
 All dimensions are nominal.  
 Actual dimensions may vary.

Approvals