

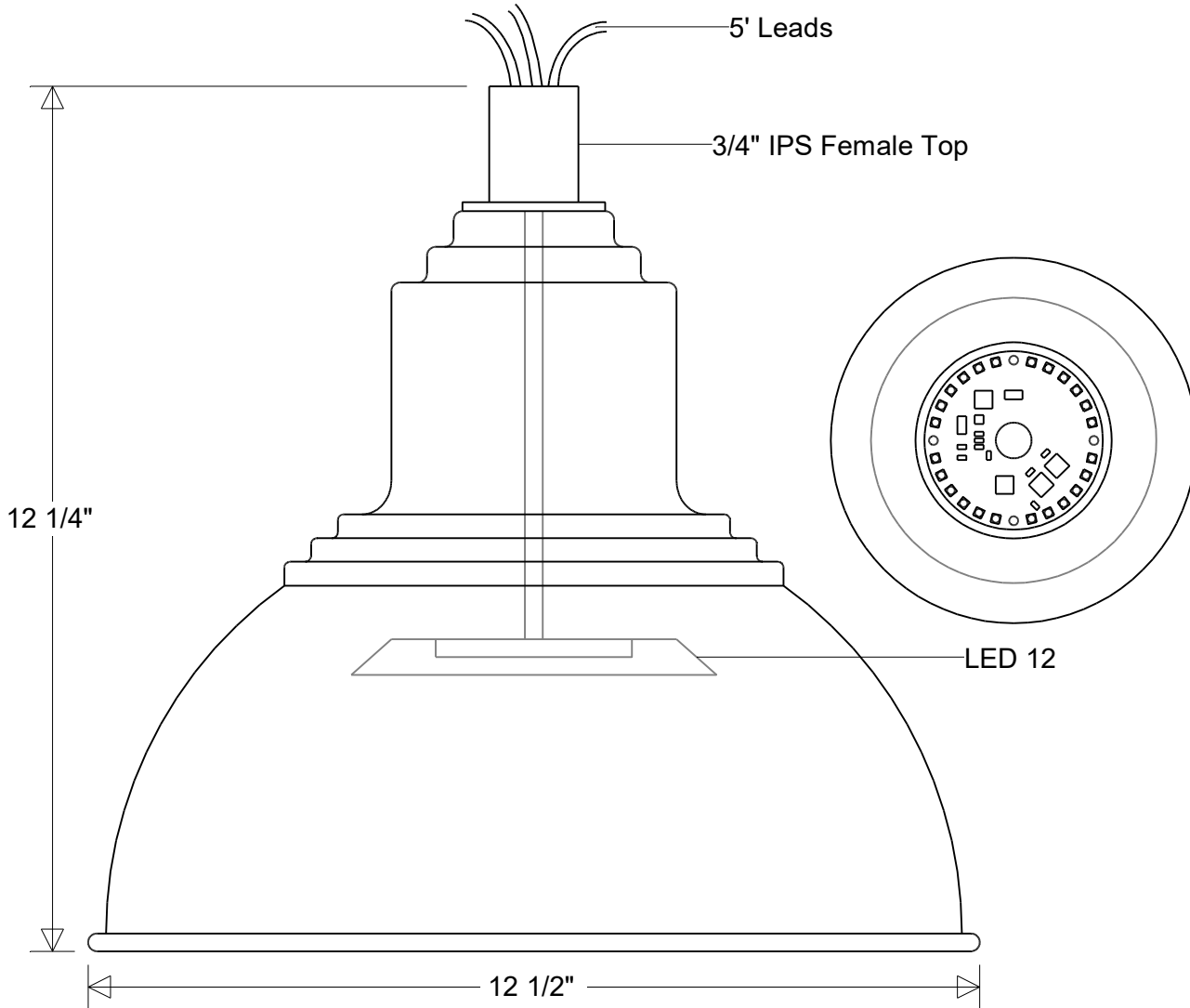


Primelite Manufacturing Corp.

407 S Main St, Freeport, NY 11520
 Phone: (516) 868-4411 | Fax: (516) 868-4609
 sales@primelite-mfg.com | www.primelite-mfg.com

PROUDLY MADE IN THE USA SINCE 1962!
"SPECIALTIES ARE OUR SPECIALTY!"

Job Info



<h2>#40/12J LED 12</h2> <p>12 1/2" Dia 12 1/4" H</p> <p>Fits 3/4" IPS Threaded Stems and Arms</p>	Lamp: 12 W LED CCT: 3K or 4K 75W Inc Equivalent	Finish: 29 Oven Baked Powder Coated Paints	Drawn: CB 05/2026	Scale: 1 / 2.5	Approvals
	80 CRI 120V Electronic Dimming	Material: Aluminum	Note: All dimensions are nominal. Actual dimensions may vary.		