

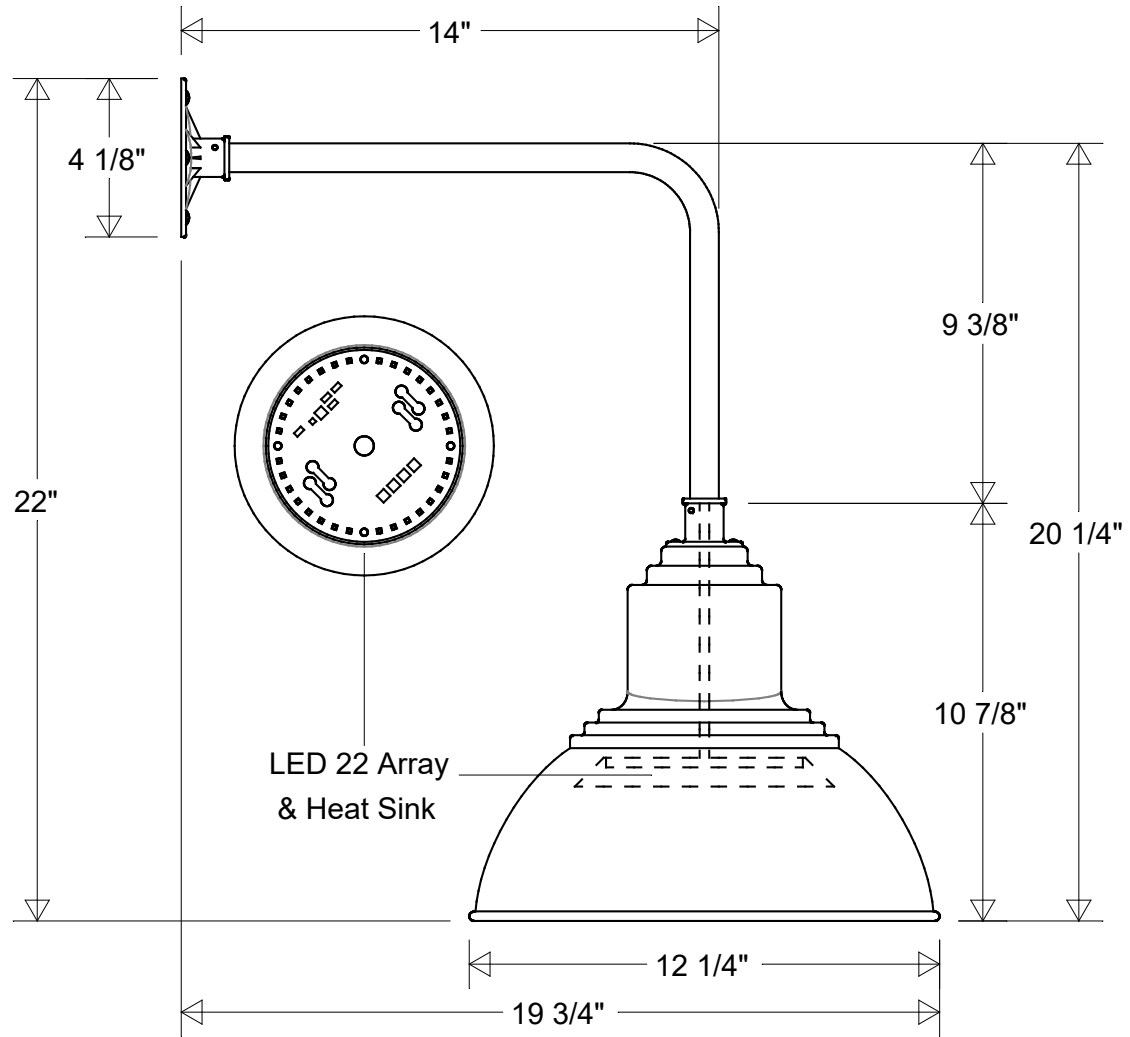


# Primelite Manufacturing Corp

407 S Main St, Freeport, NY 11520

Phone: 516-868-4411 | Fax: 516-868-4609  
 sales@primelite-mfg.com | www.primelite-mfg.com

PART # #40/12-870	LAMP Built-In LED	VOLTAGE 120 V	COLOR Powder Coated Paint
JOB NAME			TYPE Gooseneck



Lamp: LED 22 Array  
 100 W Inc Equivalent  
 3K = 1800 Lumens  
 4K = 1800 Lumens



Name	Date	Gooseneck #40/12-870 LED 22		
Drawn	CB	12 1/4" Dia   19 3/4" Ext   22" H		
Checked				
ENG Appr.				
MFR Appr.		Size	Drawing No.	Rev
QA		<b>A</b>	<b>0001</b>	<b>A</b>
Construction: Aluminum	Weight	Scale	CAD File	Sheet
Unless Otherwise Specified: Dimensions in Inches				<b>1 of 1</b>

Revisions				
Zone	Rev	Description	Date	Approved