



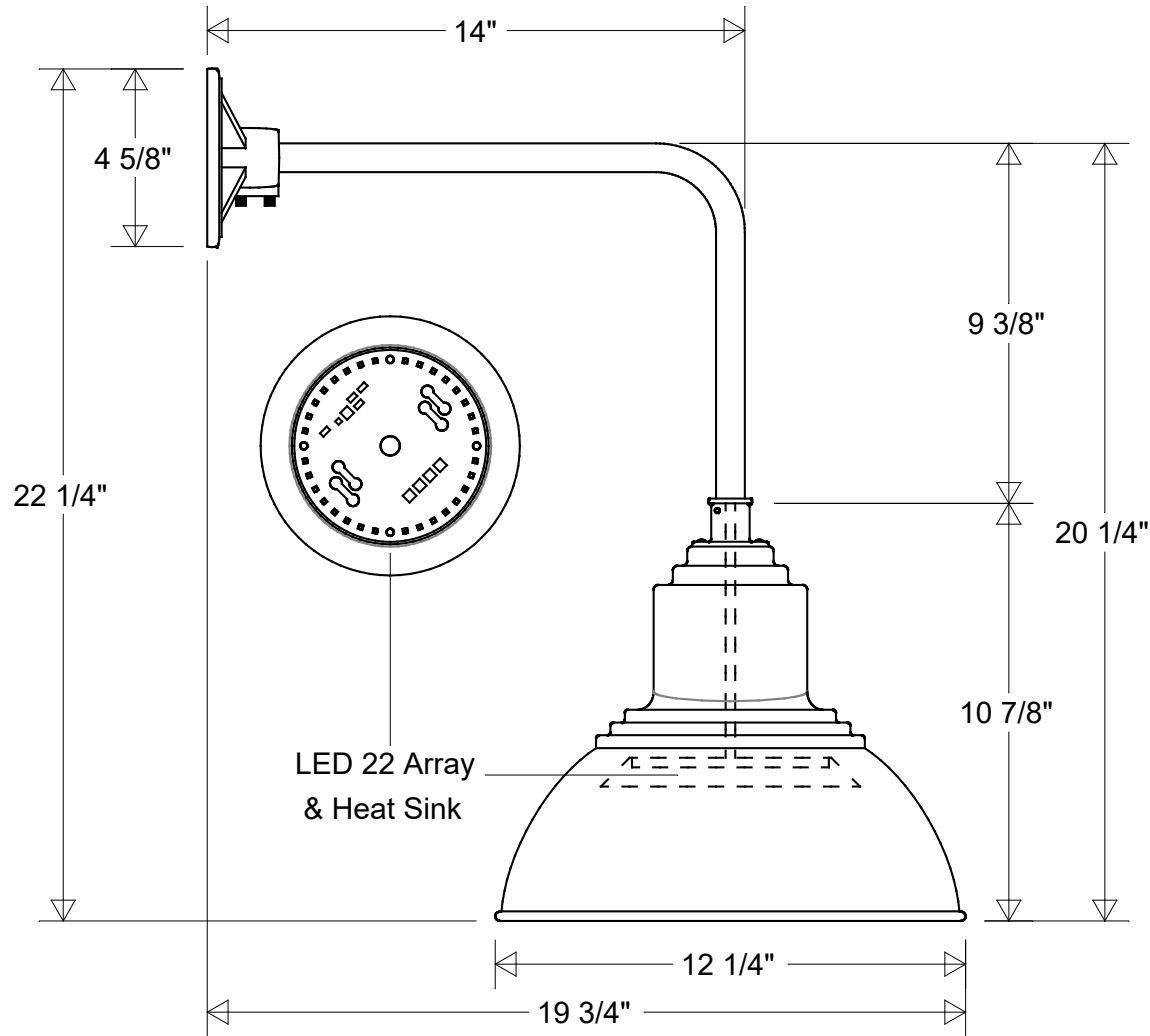
Primelite Manufacturing Corp

407 S Main St, Freeport, NY 11520

Phone: 516-868-4411 | Fax: 516-868-4609

sales@primelite-mfg.com | www.primelite-mfg.com

PART # #40/12-870 HDC	LAMP Built-In LED	VOLTAGE 120 V	COLOR Powder Coated Paint
JOB NAME			TYPE Gooseneck



Lamp: LED 22 Array
100 W Inc Equivalent
3K = 1800 Lumens
4K = 1800 Lumens



Name	Date
Drawn CB	11/2021
Checked	
ENG Appr.	
MFR Appr.	
QA	

Gooseneck #40/12-870 HDC LED 22

12 1/4" Dia | 19 3/4" Ext | 22 1/4" H

Size	Drawing No.	Rev
A	0001	A

Revisions				
Zone	Rev	Description	Date	Approved

Construction: Aluminum
Unless Otherwise Specified:
Dimensions in Inches

Weight	Scale	CAD File	Sheet
			1 of 1