

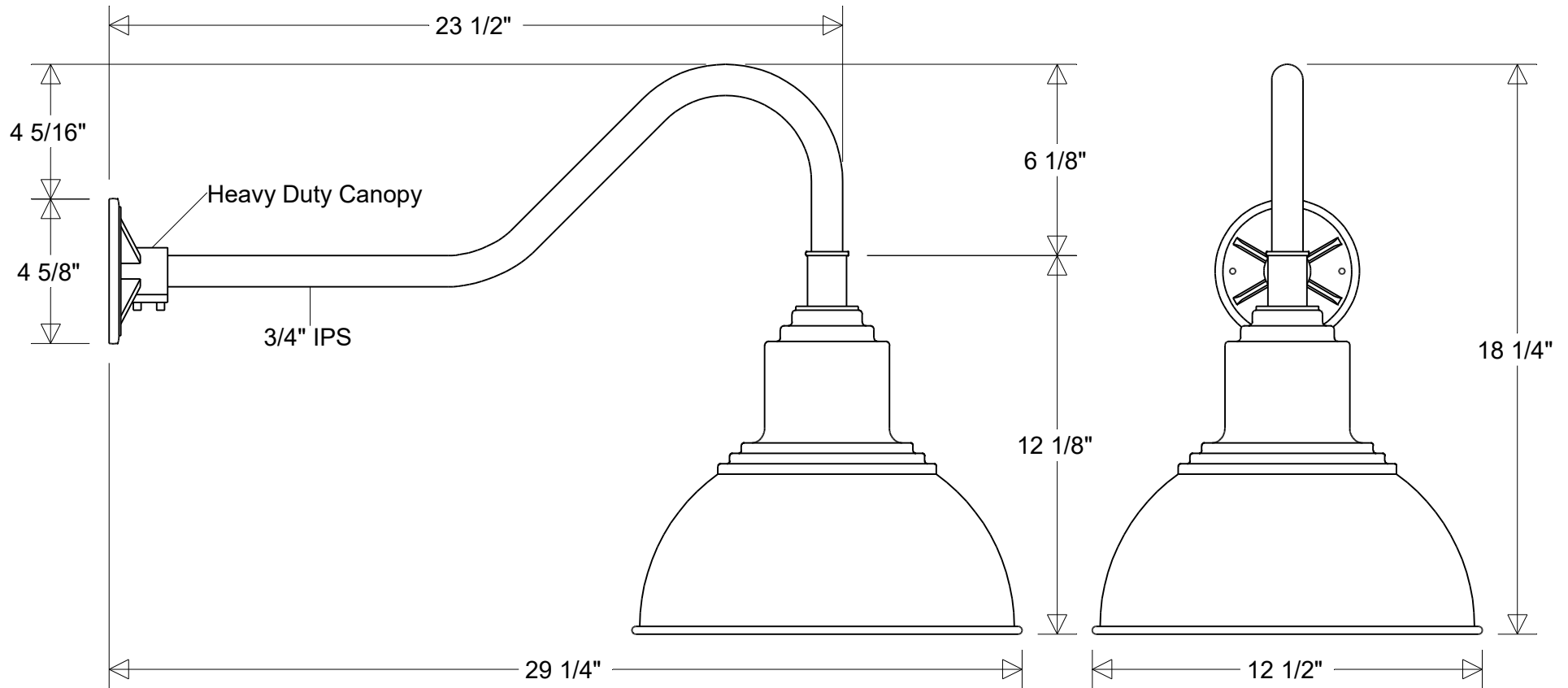


# Primelite Manufacturing Corp.

407 S Main St, Freeport, NY 11520  
 Phone: (516) 868-4411 | Fax: (516) 868-4609  
 sales@primelite-mfg.com | www.primelite-mfg.com

**PROUDLY MADE IN THE USA SINCE 1962!**  
**"SPECIALTIES ARE OUR SPECIALTY!"**

Job Info



## #40/12-800 Series

12 1/2" Dia | 29 1/4" Ext | 18 1/4" H  
 Shade: #40/12J Series | Arm: #800

**Lamp Options:**

E26 Socket  
 LED12 | LED22

**Finish:**

29 Oven Baked  
 Powder Coated Paints

**Material:**

Aluminum

**Drawn:**

CB  
 05/2026

**Note:**

All dimensions are nominal.  
 Actual dimensions may vary.

**Scale:**

1/5

**Approvals**

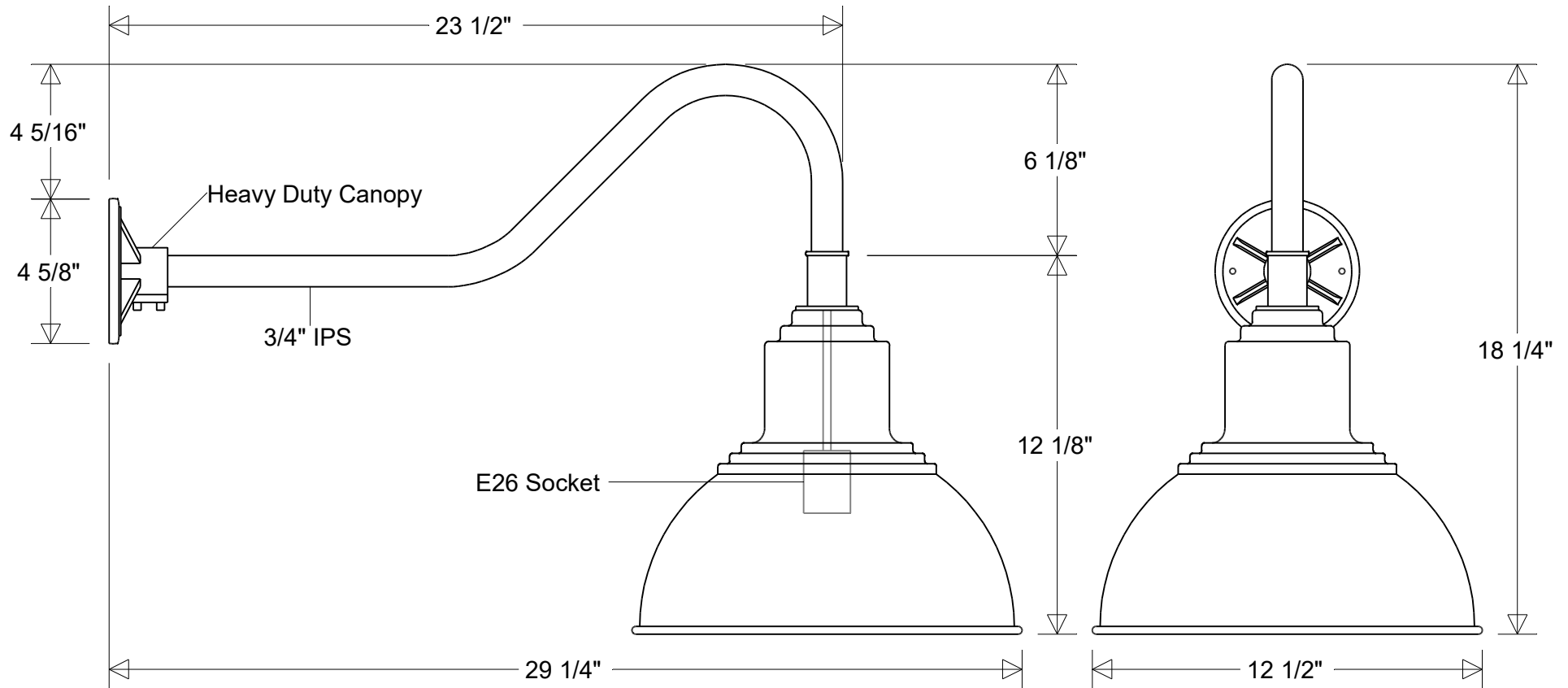



# Primelite Manufacturing Corp.

407 S Main St, Freeport, NY 11520  
 Phone: (516) 868-4411 | Fax: (516) 868-4609  
 sales@primelite-mfg.com | www.primelite-mfg.com

**PROUDLY MADE IN THE USA SINCE 1962!**  
**"SPECIALTIES ARE OUR SPECIALTY!"**

Job Info



## #40/12-800

12 1/2" Dia | 29 1/4" Ext | 18 1/4" H  
 Shade: #40/12J | Arm: #800

<b>Lamp: E26 Socket</b> Max Wattage: 75 W Number of Sockets: 1 120 V	<b>Finish:</b> 29 Oven Baked Powder Coated Paints	<b>Drawn:</b> CB 05/2026	<b>Scale:</b> 1/5	<b>Approvals</b>   	
	<b>Material:</b> Aluminum	<b>Note:</b> All dimensions are nominal. Actual dimensions may vary.			

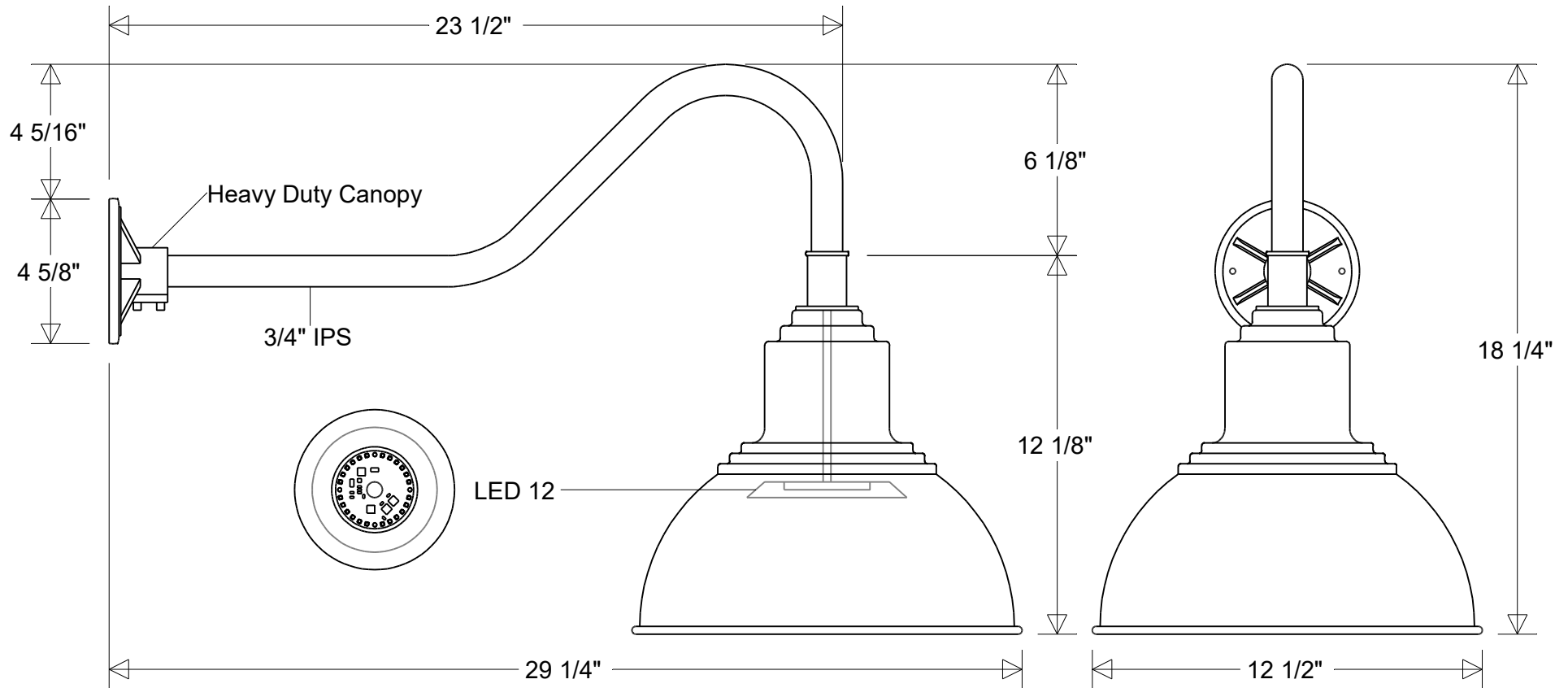


# Primelite Manufacturing Corp.

407 S Main St, Freeport, NY 11520  
 Phone: (516) 868-4411 | Fax: (516) 868-4609  
 sales@primelite-mfg.com | www.primelite-mfg.com

**PROUDLY MADE IN THE USA SINCE 1962!**  
**"SPECIALTIES ARE OUR SPECIALTY!"**

Job Info



## #40/12-800 LED 12

12 1/2" Dia | 29 1/4" Ext | 18 1/4" H  
 Shade: #40/12J LED 12 | Arm: #800

**Lamp:** 12 W LED  
 CCT: 3K or 4K  
 75W Inc Equivalent  
 80 CRI  
 120V  
 Electronic Dimming

**Finish:**  
 29 Oven Baked  
 Powder Coated Paints  
**Material:**  
 Aluminum

**Drawn:**  
 CB  
 05/2026

**Scale:**  
 1/5

**Note:**  
 All dimensions are nominal.  
 Actual dimensions may vary.

Approvals

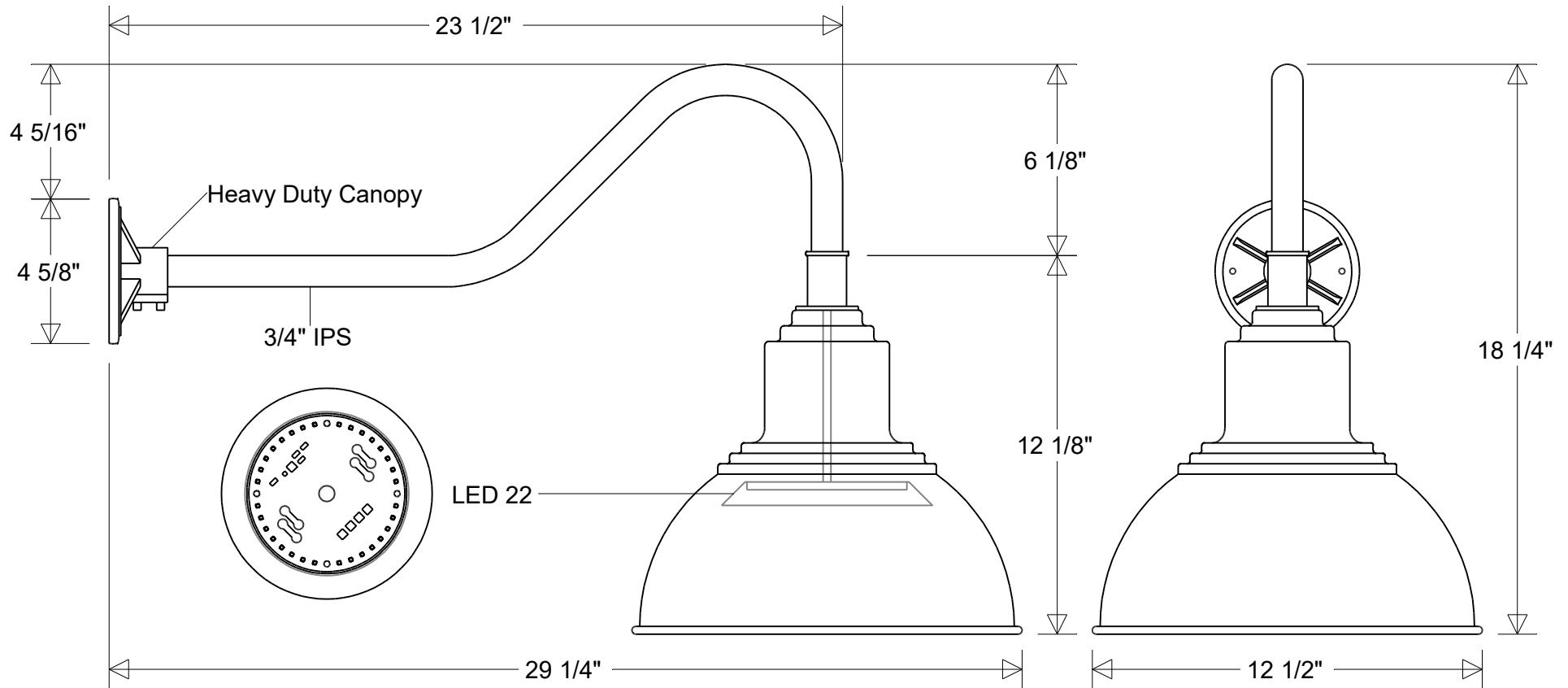



# Primelite Manufacturing Corp.

407 S Main St, Freeport, NY 11520  
 Phone: (516) 868-4411 | Fax: (516) 868-4609  
 sales@primelite-mfg.com | www.primelite-mfg.com

**PROUDLY MADE IN THE USA SINCE 1962!**  
**"SPECIALTIES ARE OUR SPECIALTY!"**

Job Info



## #40/12-800 LED 22

12 1/2" Dia | 29 1/4" Ext | 18 1/4" H  
 Shade: #40/12J LED 22 | Arm: #800

**Lamp:** 22 W LED  
 CCT: 3K or 4K  
 125W Inc Equivalent  
 80 CRI  
 120V  
 Electronic Dimming

**Finish:**  
 29 Oven Baked  
 Powder Coated Paints  
**Material:**  
 Aluminum

**Drawn:**  
 CB  
 05/2026

**Scale:**  
 1/5

**Note:**  
 All dimensions are nominal.  
 Actual dimensions may vary.

Approvals
