

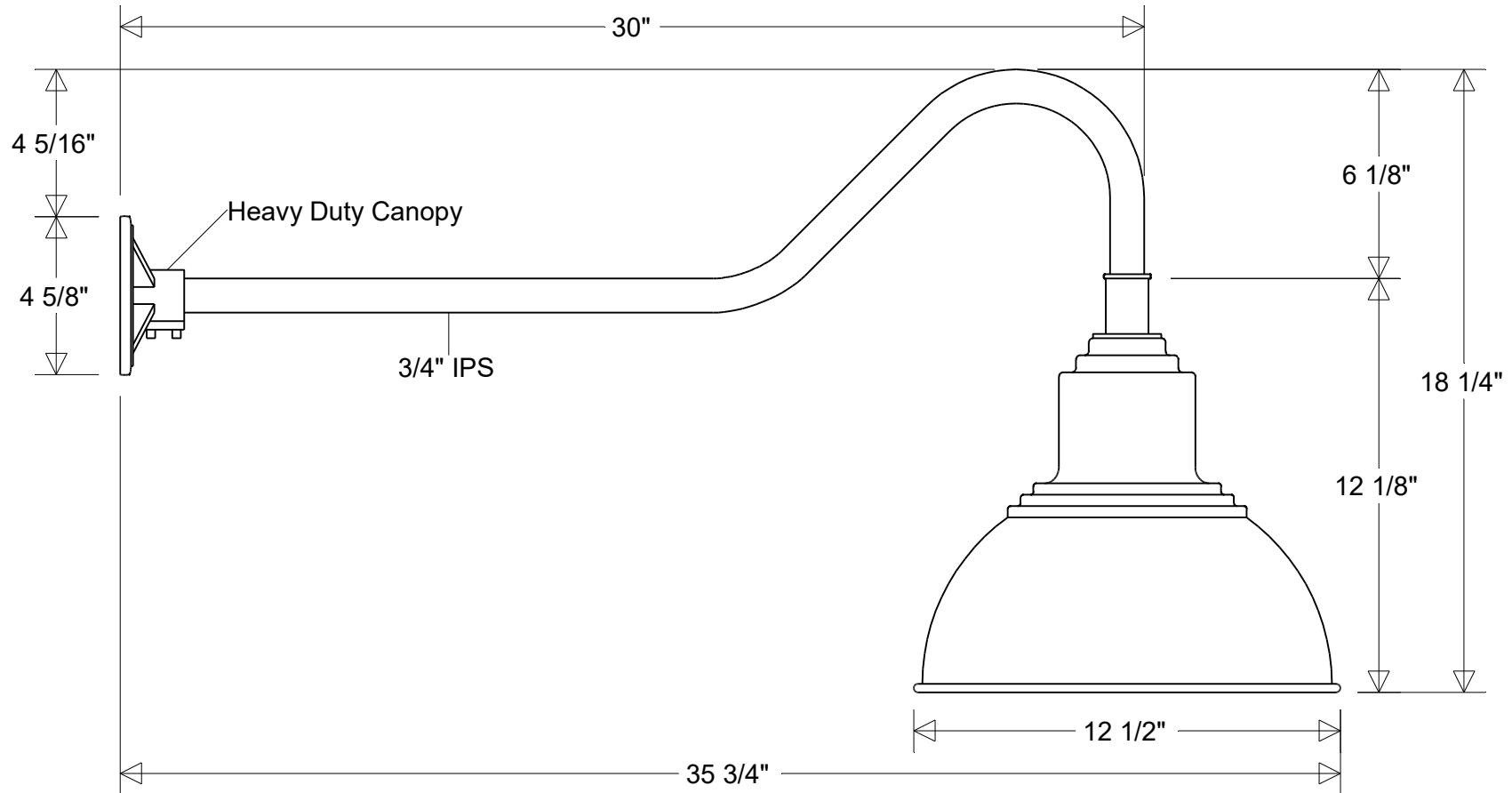


Primelite Manufacturing Corp.

407 S Main St, Freeport, NY 11520
 Phone: (516) 868-4411 | Fax: (516) 868-4609
 sales@primelite-mfg.com | www.primelite-mfg.com

PROUDLY MADE IN THE USA SINCE 1962!
"SPECIALTIES ARE OUR SPECIALTY!"

Job Info



#40/12-800-30" Arm Series

12 1/2" Dia | 35 3/4" Ext | 18 1/4" H

Shade: #40/12J Series | Arm: #800-30

Lamp Options:

E26 Socket
 LED12 | LED22

Finish:

29 Oven Baked
 Powder Coated Paints

Material:

Aluminum

Drawn:

CB
 05/2026

Note:

All dimensions are nominal.
 Actual dimensions may vary.

Scale:

1/5

Approvals

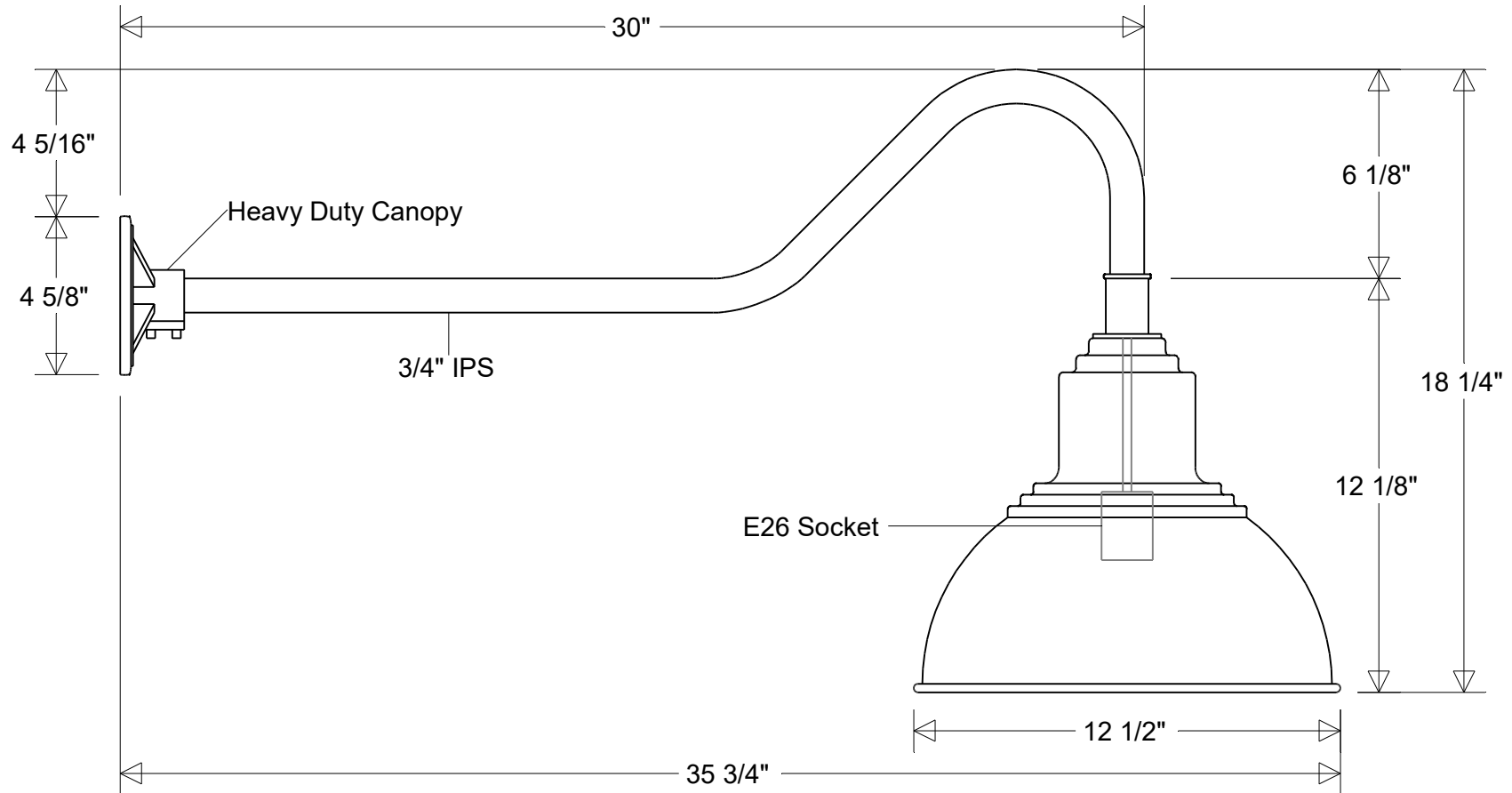


Primelite Manufacturing Corp.

407 S Main St, Freeport, NY 11520
 Phone: (516) 868-4411 | Fax: (516) 868-4609
 sales@primelite-mfg.com | www.primelite-mfg.com

PROUDLY MADE IN THE USA SINCE 1962!
"SPECIALTIES ARE OUR SPECIALTY!"

Job Info



#40/12-800-30" Arm

12 1/2" Dia | 35 3/4" Ext | 18 1/4" H
 Shade: #40/12J | Arm: #800-30

Lamp: E26 Socket Max Wattage: 75 W Number of Sockets: 1 120 V	Finish: 29 Oven Baked Powder Coated Paints	Drawn: CB 05/2026	Scale: 1/5	Approvals 	
	Material: Aluminum	Note: All dimensions are nominal. Actual dimensions may vary.			

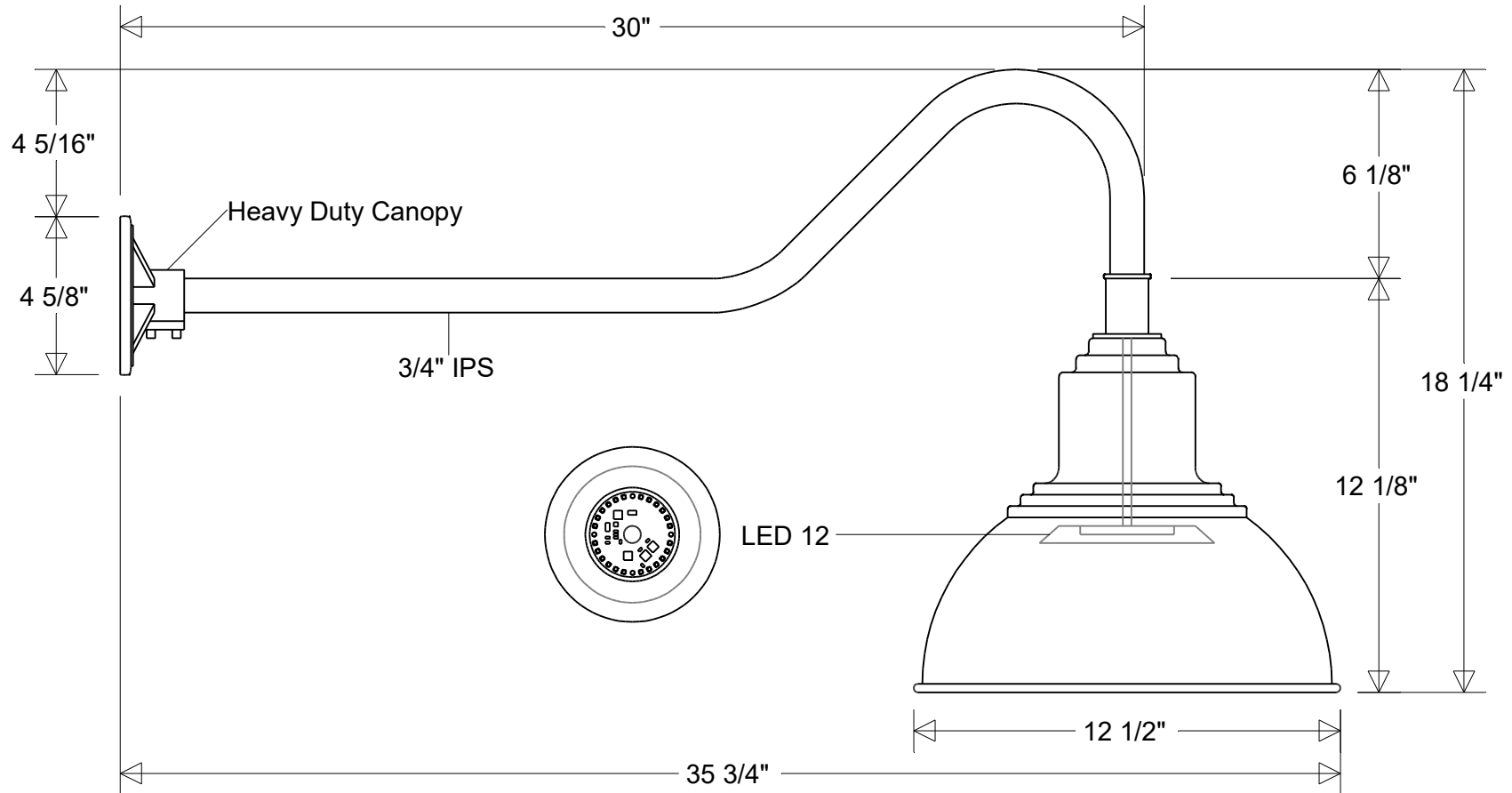


Primelite Manufacturing Corp.

407 S Main St, Freeport, NY 11520
 Phone: (516) 868-4411 | Fax: (516) 868-4609
 sales@primelite-mfg.com | www.primelite-mfg.com

PROUDLY MADE IN THE USA SINCE 1962!
"SPECIALTIES ARE OUR SPECIALTY!"

Job Info



#40/12-800-30" Arm LED 12

12 1/2" Dia | 35 3/4" Ext | 18 1/4" H

Shade: #40/12J LED 12 | Arm: #800-30

Lamp: 12 W LED

CCT: 3K or 4K
 75W Inc Equivalent

80 CRI
 120V
 Electronic Dimming

Finish:

29 Oven Baked
 Powder Coated Paints

Material:
 Aluminum

Drawn:

CB
 05/2026

Note:

All dimensions are nominal.
 Actual dimensions may vary.

Scale:

1/5

Approvals

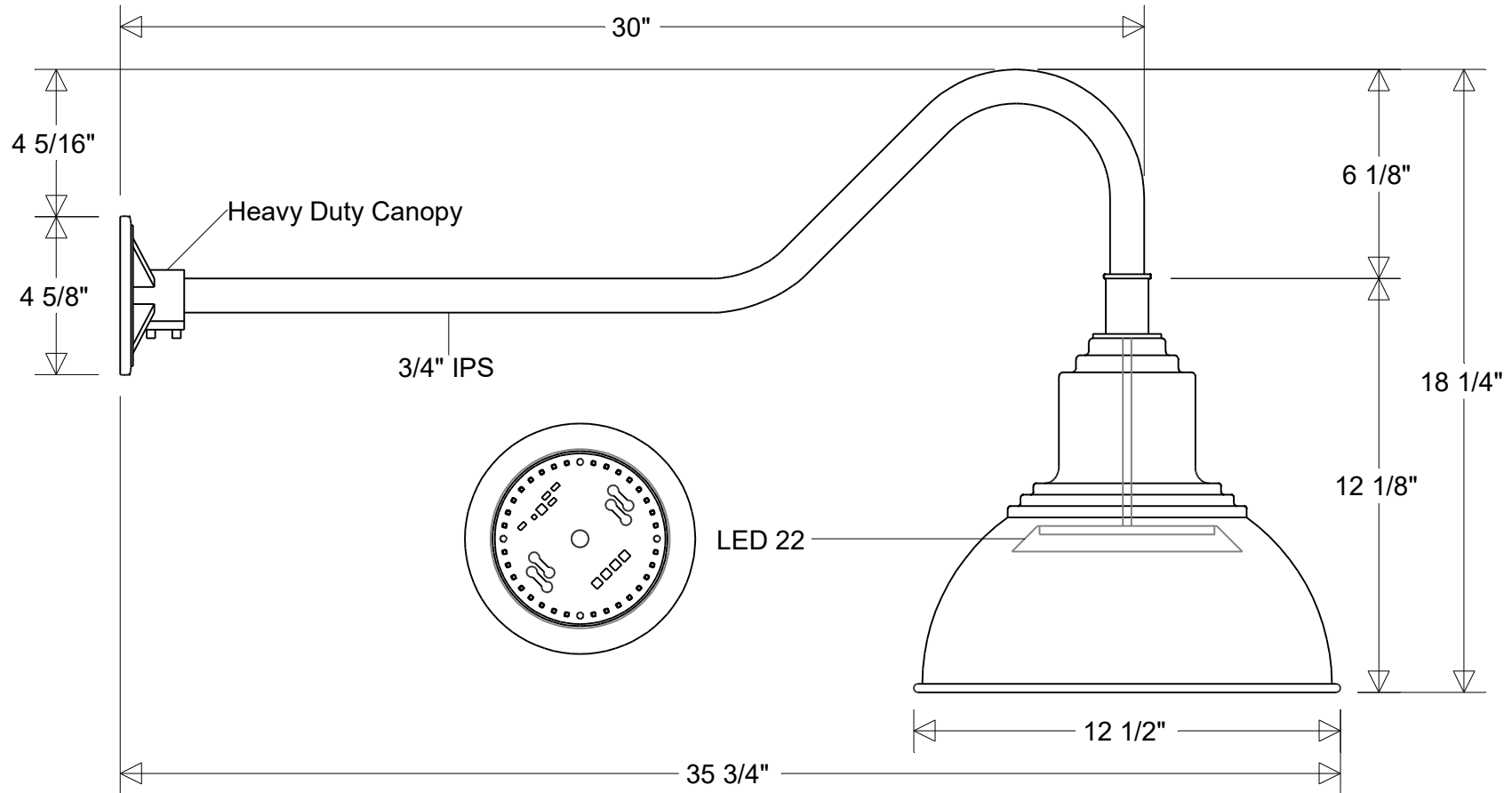


Primelite Manufacturing Corp.

407 S Main St, Freeport, NY 11520
 Phone: (516) 868-4411 | Fax: (516) 868-4609
 sales@primelite-mfg.com | www.primelite-mfg.com

PROUDLY MADE IN THE USA SINCE 1962!
"SPECIALTIES ARE OUR SPECIALTY!"

Job Info



#40/12-800-30" Arm LED 22

12 1/2" Dia | 35 3/4" Ext | 18 1/4" H
 Shade: #40/12J LED 22 | Arm: #800-30

Lamp: 22 W LED
 CCT: 3K or 4K
 125W Inc Equivalent
 80 CRI
 120V
 Electronic Dimming

Finish:
 29 Oven Baked
 Powder Coated Paints
Material:
 Aluminum

Drawn:
 CB
 05/2026
Scale:
 1/5
Note:
 All dimensions are nominal.
 Actual dimensions may vary.

Approvals
