

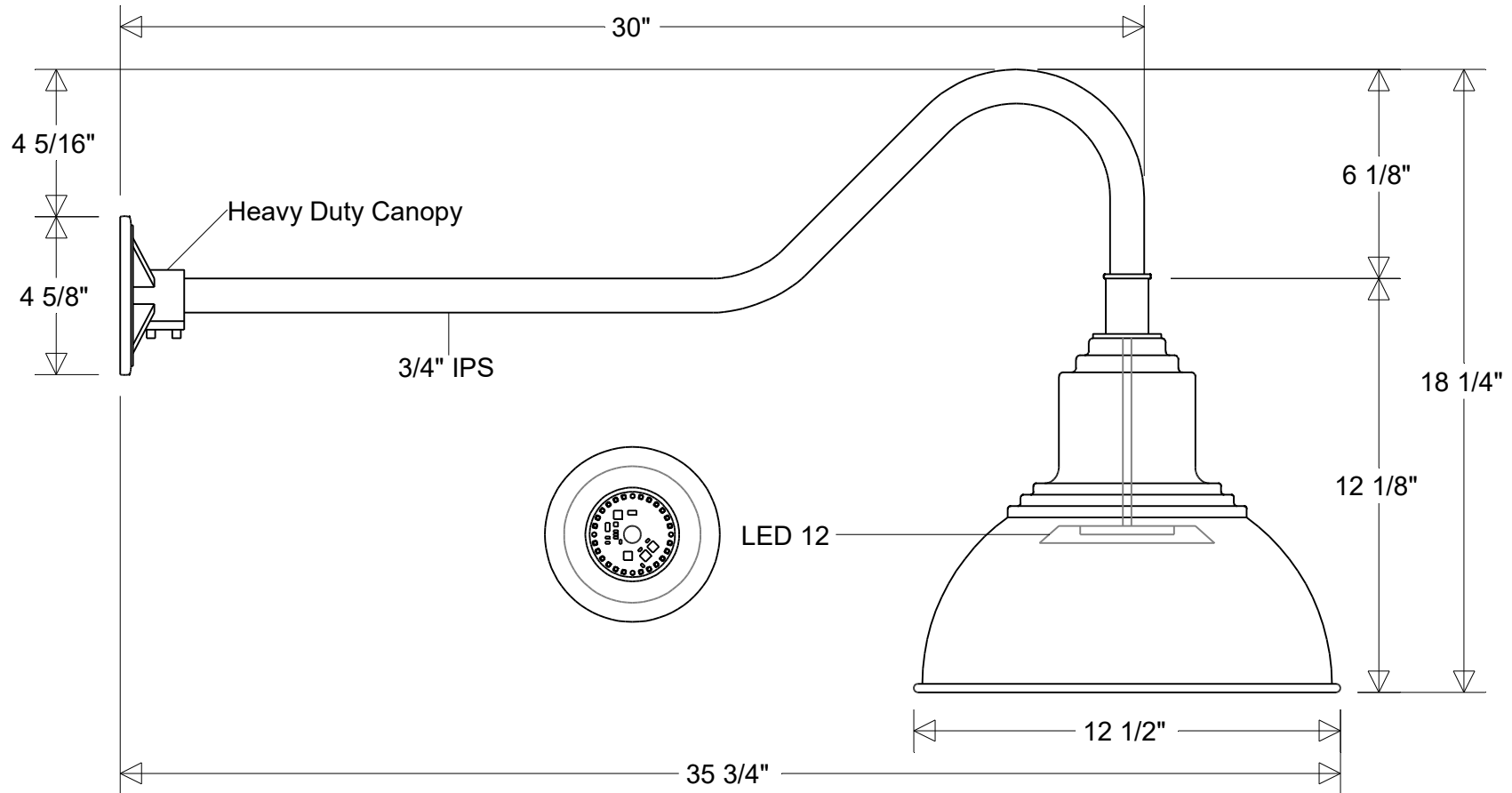


Primelite Manufacturing Corp.

407 S Main St, Freeport, NY 11520
 Phone: (516) 868-4411 | Fax: (516) 868-4609
 sales@primelite-mfg.com | www.primelite-mfg.com

PROUDLY MADE IN THE USA SINCE 1962!
"SPECIALTIES ARE OUR SPECIALTY!"

Job Info



#40/12-800-30" Arm LED 12

12 1/2" Dia | 35 3/4" Ext | 18 1/4" H
 Shade: #40/12J LED 12 | Arm: #800-30

Lamp: 12 W LED CCT: 3K or 4K 75W Inc Equivalent 80 CRI 120V Electronic Dimming	Finish: 29 Oven Baked Powder Coated Paints	Material: Aluminum	Drawn: CB 05/2026	Scale: 1/5	Approvals	
Note: All dimensions are nominal. Actual dimensions may vary.						