

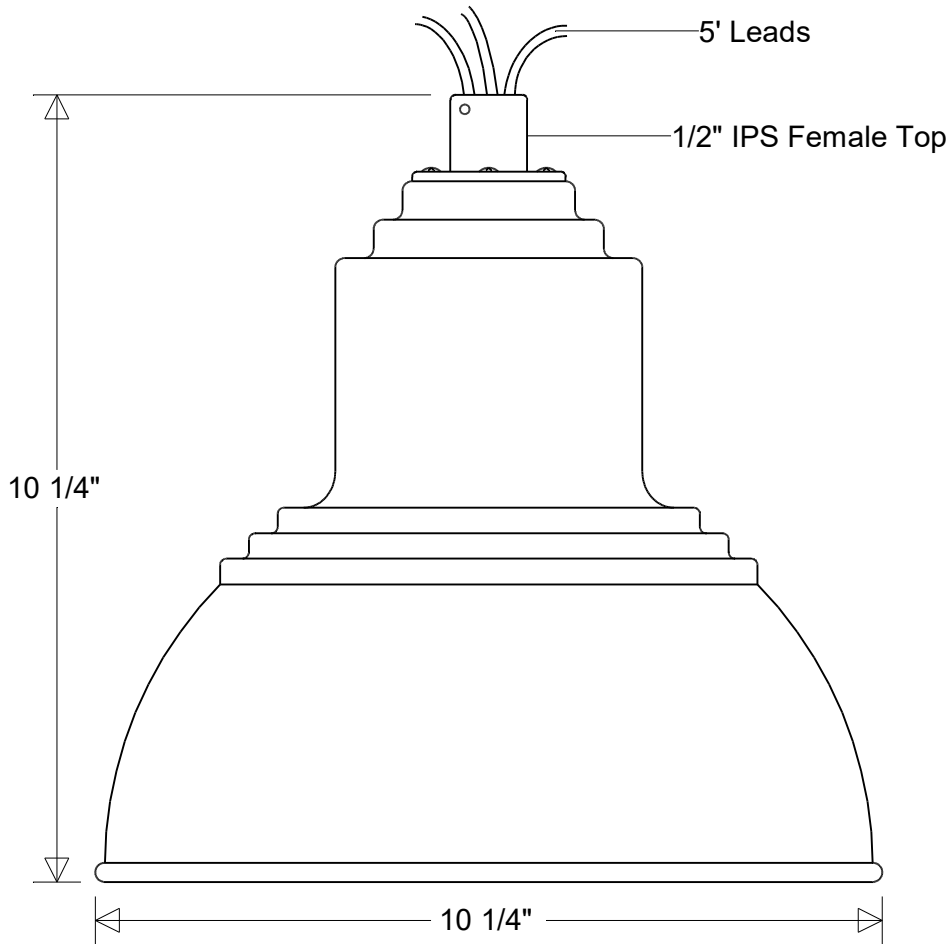


Primelite Manufacturing Corp.

407 S Main St, Freeport, NY 11520
Phone: (516) 868-4411 | Fax: (516) 868-4609
sales@primelite-mfg.com | www.primelite-mfg.com

PROUDLY MADE IN THE USA SINCE 1962!
"SPECIALTIES ARE OUR SPECIALTY!"

Job Info



#40/10A Series

10 1/4" Dia | 10 1/4" H
Fits 1/2" IPS Threaded Stems and Arms

Lamp Options:
E26 Socket
LED12 | LED22

Finish:
29 Oven Baked
Powder Coated Paints

Material:
Aluminum

Drawn:
CB
05/2026

Scale:
1 / 2.5

Note:
All dimensions are nominal.
Actual dimensions may vary.

Approvals

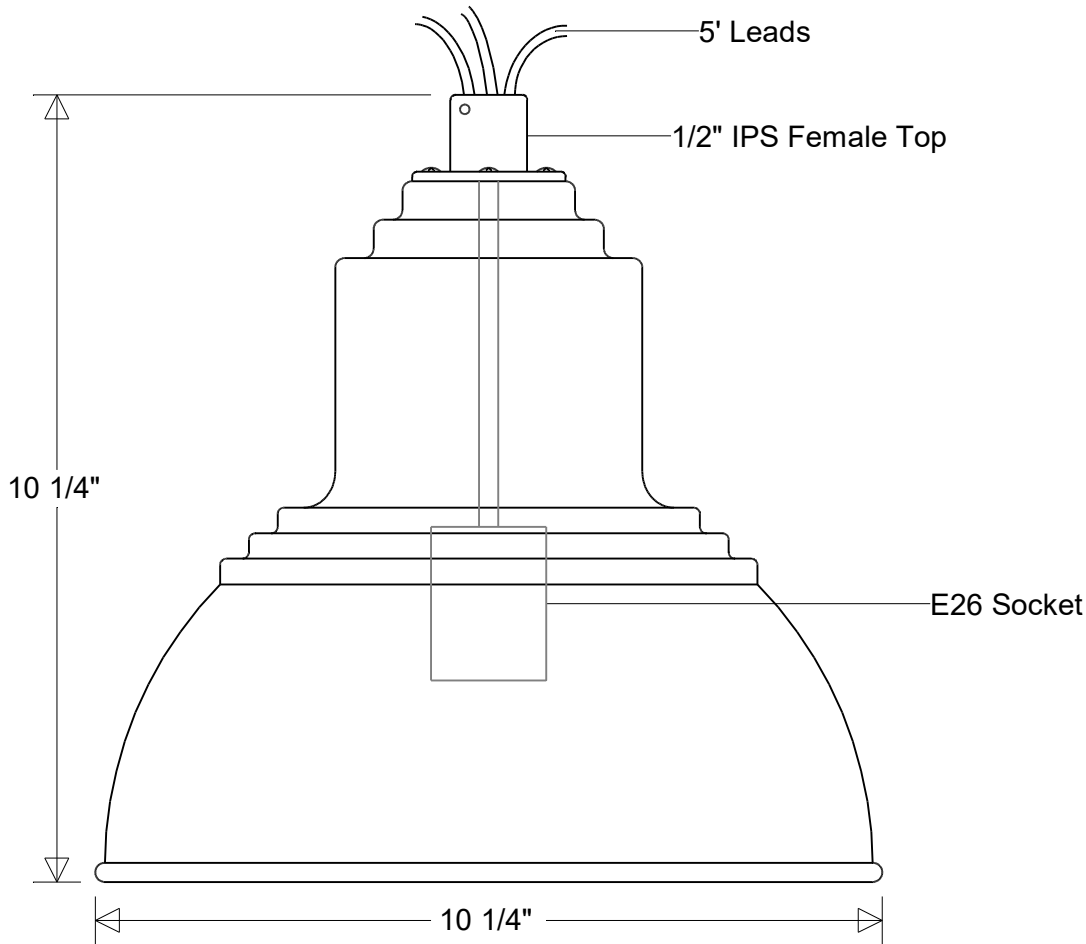


Primelite Manufacturing Corp.

407 S Main St, Freeport, NY 11520
Phone: (516) 868-4411 | Fax: (516) 868-4609
sales@primelite-mfg.com | www.primelite-mfg.com

PROUDLY MADE IN THE USA SINCE 1962!
"SPECIALTIES ARE OUR SPECIALTY!"

Job Info



#40/10A

10 1/4" Dia | 10 1/4" H
Fits 1/2" IPS Threaded Stems and Arms

Lamp: E26 Socket

Max Wattage: 60 W

Number of Sockets: 1

120 V

Finish:

29 Oven Baked

Powder Coated Paints

Material:
Aluminum

Drawn:

CB

05/2026

Scale:

1 / 2.5

Note:

All dimensions are nominal.
Actual dimensions may vary.

Approvals

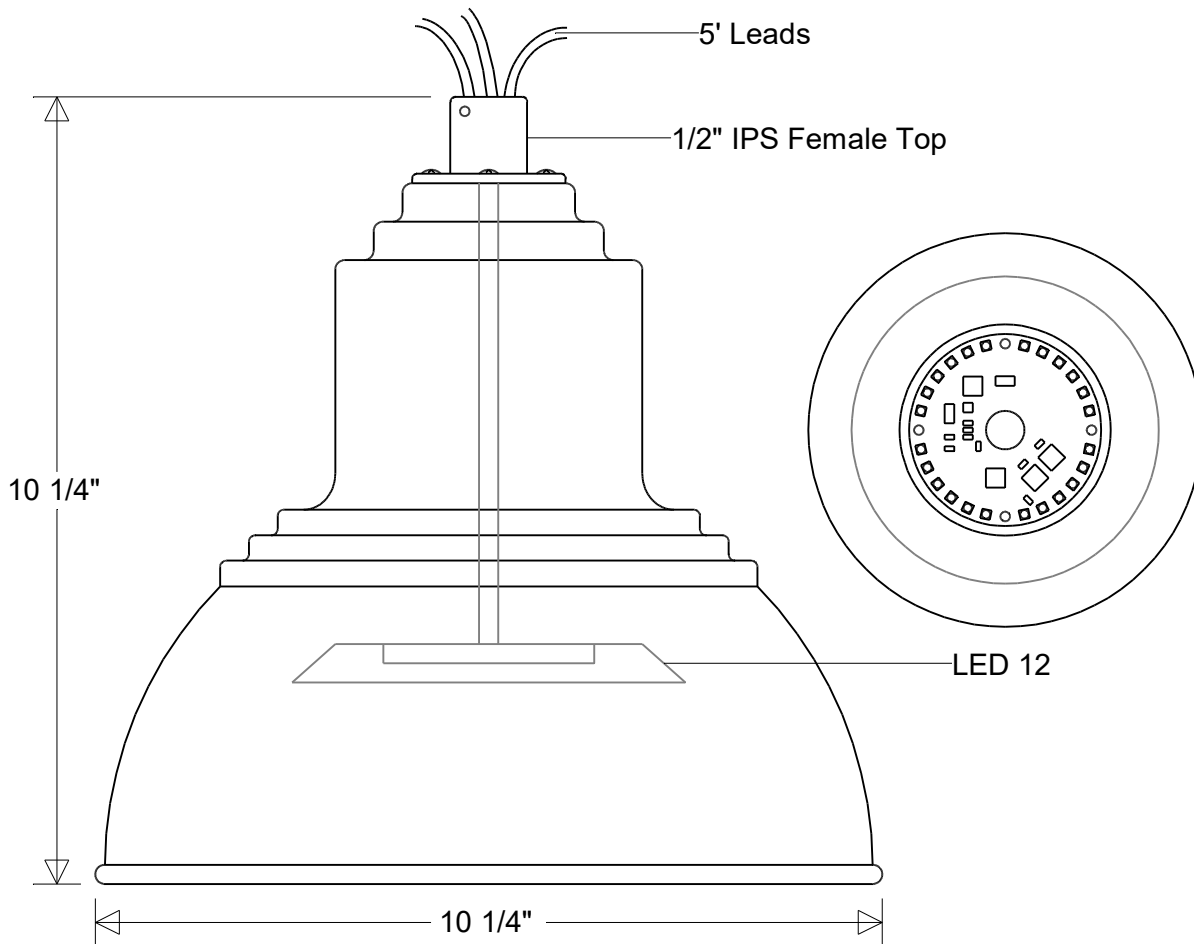


Primelite Manufacturing Corp.

407 S Main St, Freeport, NY 11520
 Phone: (516) 868-4411 | Fax: (516) 868-4609
 sales@primelite-mfg.com | www.primelite-mfg.com

PROUDLY MADE IN THE USA SINCE 1962!
"SPECIALTIES ARE OUR SPECIALTY!"

Job Info



#40/10A LED 12

10 1/4" Dia | 10 1/4" H
 Fits 1/2" IPS Threaded Stems and Arms

Lamp: 12 W LED
 CCT: 3K or 4K
 75W Inc Equivalent
 80 CRI
 120V
 Electronic Dimming

Finish:
 29 Oven Baked
 Powder Coated Paints
Material:
 Aluminum

Drawn:
 CB
 05/2026

Scale:
 1 / 2.5

Note:
 All dimensions are nominal.
 Actual dimensions may vary.

Approvals

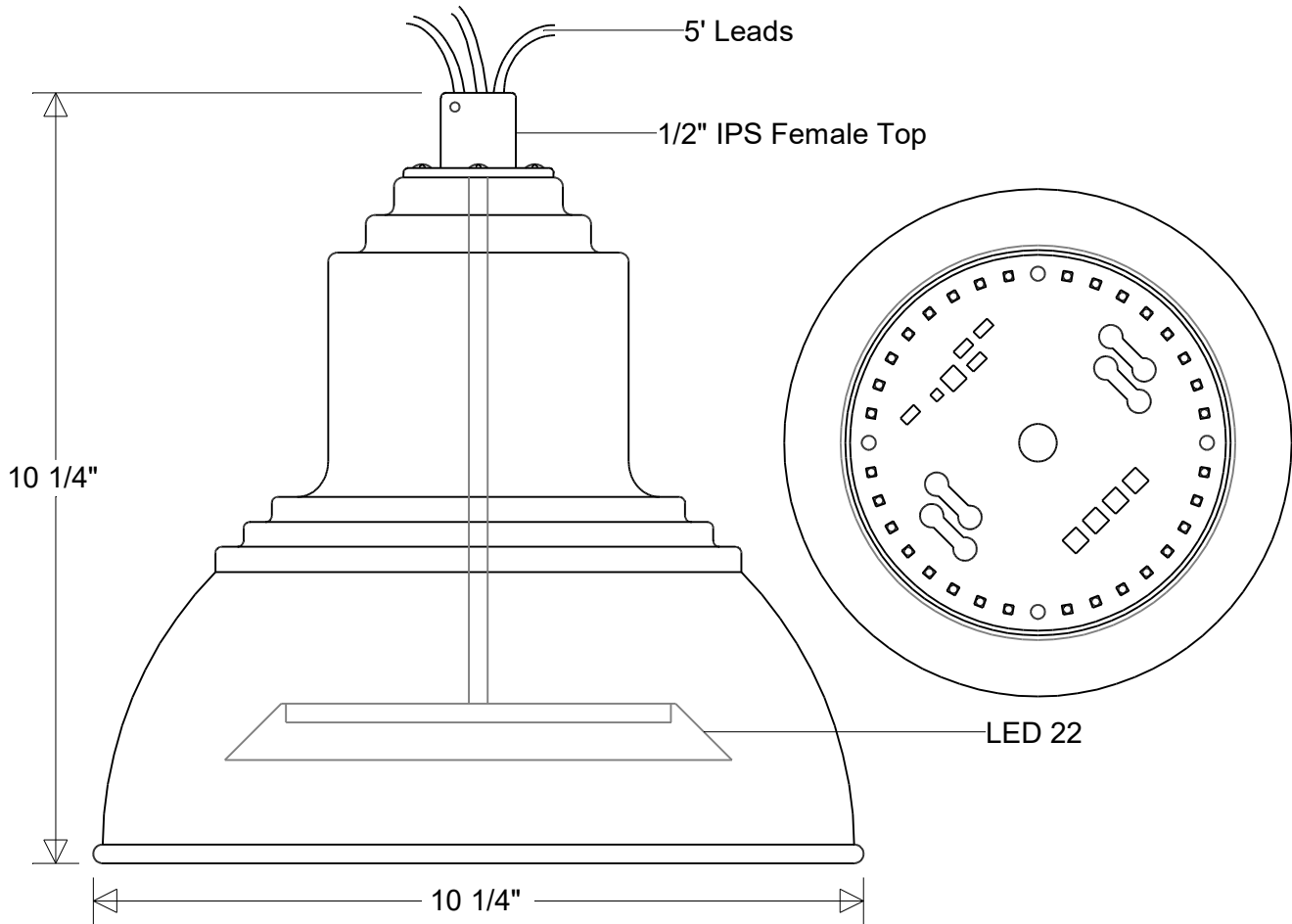


Primelite Manufacturing Corp.

407 S Main St, Freeport, NY 11520
 Phone: (516) 868-4411 | Fax: (516) 868-4609
 sales@primelite-mfg.com | www.primelite-mfg.com

PROUDLY MADE IN THE USA SINCE 1962!
"SPECIALTIES ARE OUR SPECIALTY!"

Job Info



#40/10A LED 22

10 1/4" Dia | 10 1/4" H
 Fits 1/2" IPS Threaded Stems and Arms

Lamp: 22 W LED
 CCT: 3K or 4K
 125W Inc Equivalent
 80 CRI
 120V
 Electronic Dimming

Finish:
 29 Oven Baked
 Powder Coated Paints
Material:
 Aluminum

Drawn:
 CB
 05/2026

Scale:
 1 / 2.5

Note:
 All dimensions are nominal.
 Actual dimensions may vary.

Approvals