

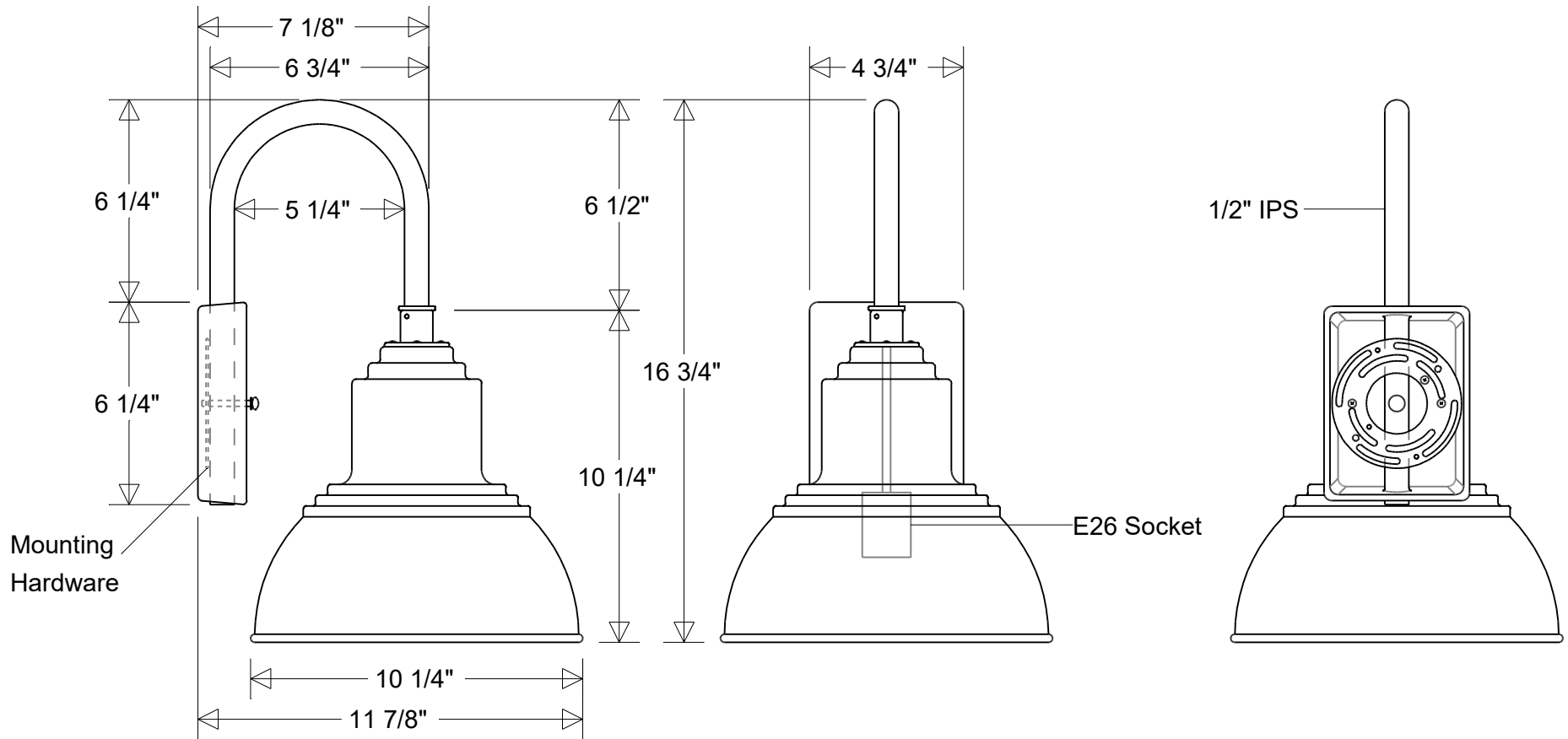


Primelite Manufacturing Corp.

407 S Main St, Freeport, NY 11520
 Phone: (516) 868-4411 | Fax: (516) 868-4609
 sales@primelite-mfg.com | www.primelite-mfg.com

PROUDLY MADE IN THE USA SINCE 1962!
"SPECIALTIES ARE OUR SPECIALTY!"

Job Info



#40/10-873

10 1/4" Dia | 11 7/8" Ext | 16 3/4" H | 1/2" IPS
 Shade: #40/10A | Arm: #873

Lamp: E26 Socket Max Wattage: 60 W Number of Sockets: 1 120 V	Finish: 29 Oven Baked Powder Coated Paints	Drawn: CB 05/2026	Scale: 1/5	Approvals	
	Material: Aluminum	Note: All dimensions are nominal. Actual dimensions may vary.			