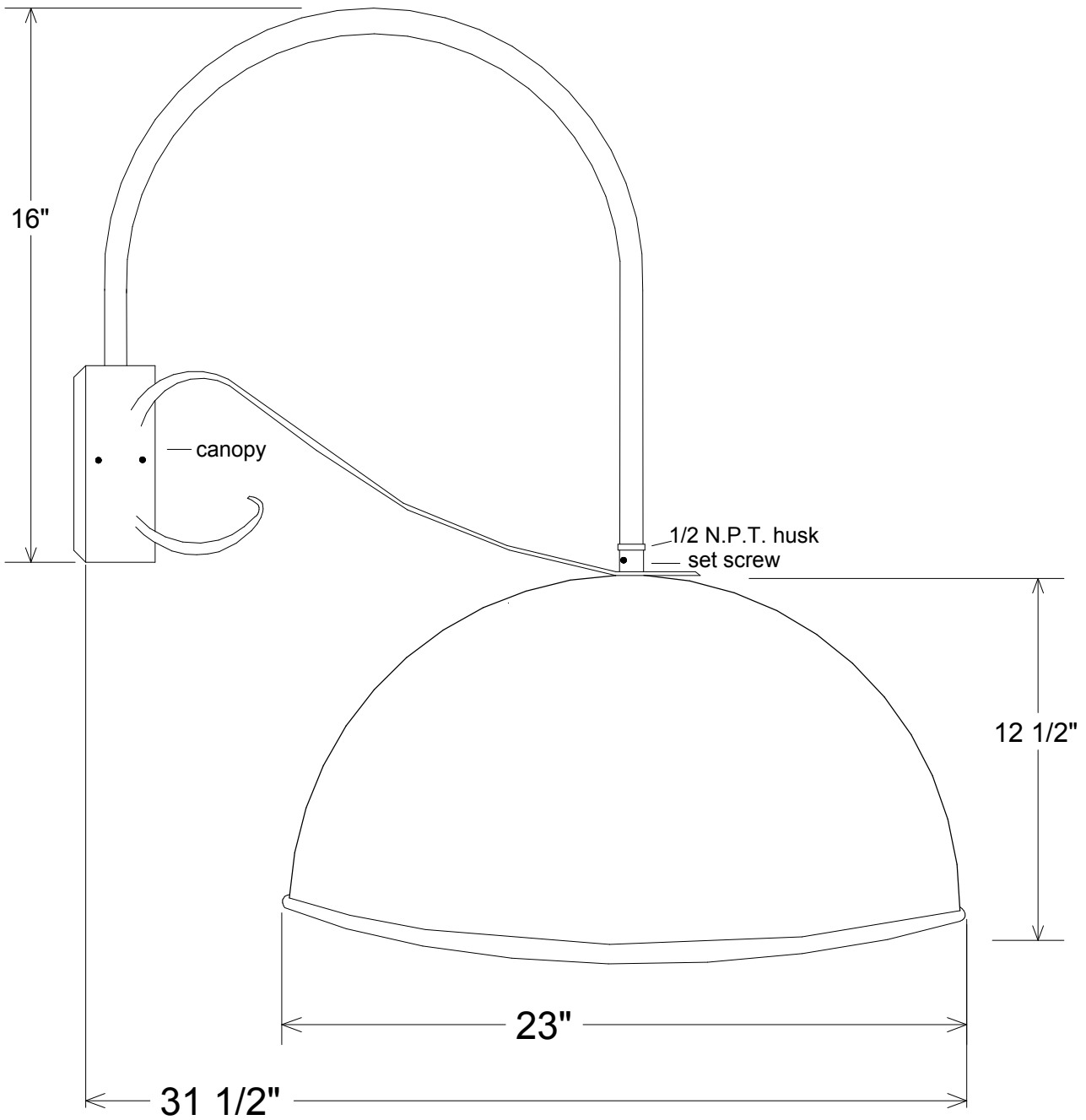


Revisions				
Zone	Rev	Description	Date	Approved



Unless Otherwise Specified: Dimensions in Inches Tolerances: Fractional ± Angular: Mach ± Bend ± Two Place Decimal ± Three Place Decimal ±	Name	Date	Primelite Mfg. Corp. 39/23-866 SCA			
	Drawn	T.A.R.				12/11/09
	Checked			Size A		
	ENG Appr.					
	MFR Appr.					
QA			Drawing No. 0001			
Comments	CAD Generated Drawing Do Not Manually Update		Rev A			
Construction: All Aluminum			Scale 1:4		CAD File Sheet 1 of 1	
Pipe Size: 1/2"						
Lamp: 1-500A						