

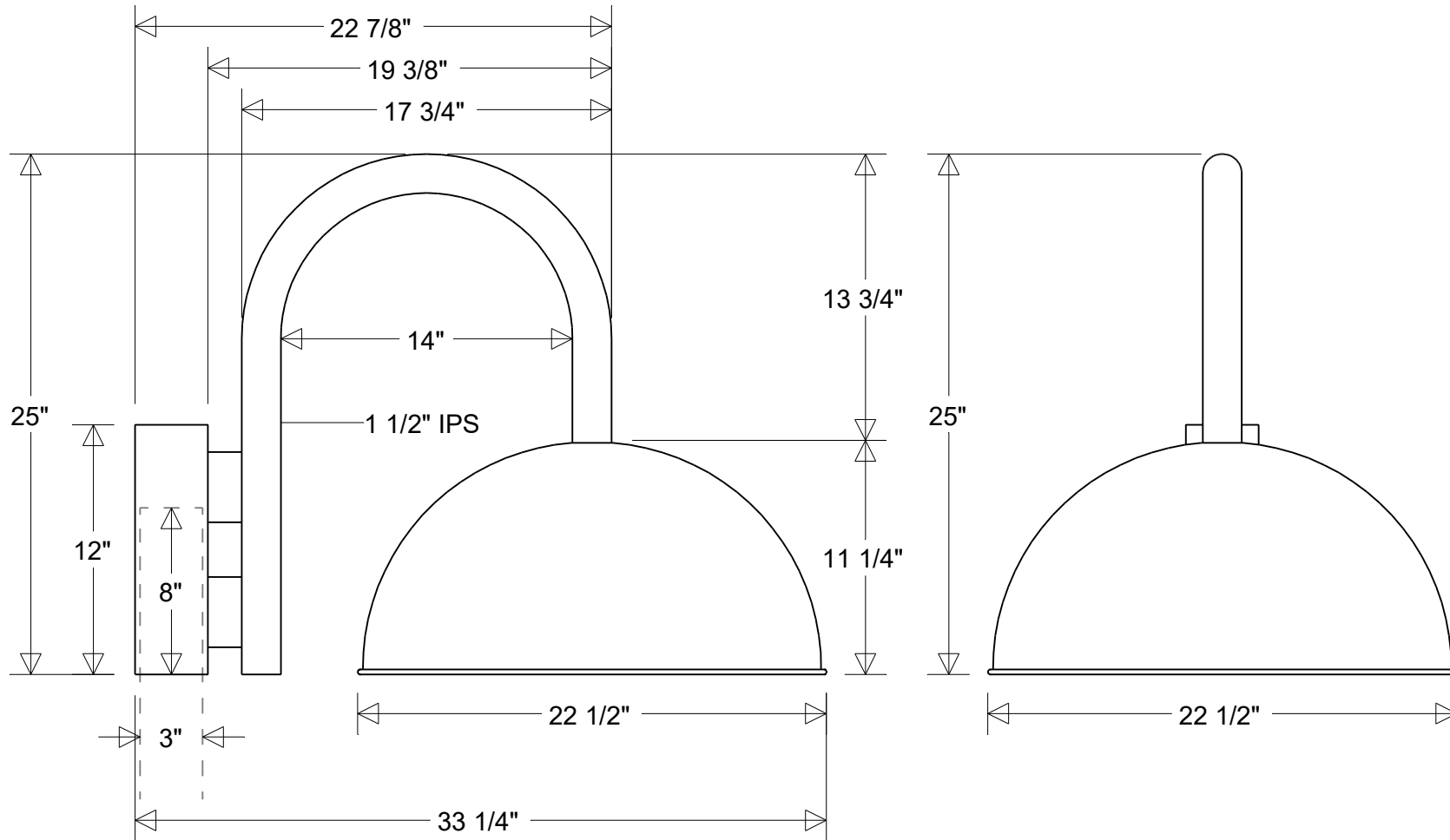


Primelite Manufacturing Corp.

407 S Main St, Freeport, NY 11520
 Phone: (516) 868-4411 | Fax: (516) 868-4609
 sales@primelite-mfg.com | www.primelite-mfg.com

PROUDLY MADE IN THE USA SINCE 1962!
"SPECIALTIES ARE OUR SPECIALTY!"

Job Info



#39/23-1963 Series

22 1/2" Dia | 33 1/4" Ext | 25" H | 3" Post Fitter
 Shade: #39/23D | Arm: #1963

Lamp Options:

E26 Socket
 LED12 | LED22 | LED48
 LED40: Dimm | NonDimm
 LED68: Dimm | NonDimm
 LED100: Dimm | NonDimm

Finish:

29 Oven Baked
 Powder Coated Paints

Material:

Aluminum

Drawn:

CB
 05/2026

Scale:

1/8

Approvals

Note:

All dimensions are nominal.
 Actual dimensions may vary.

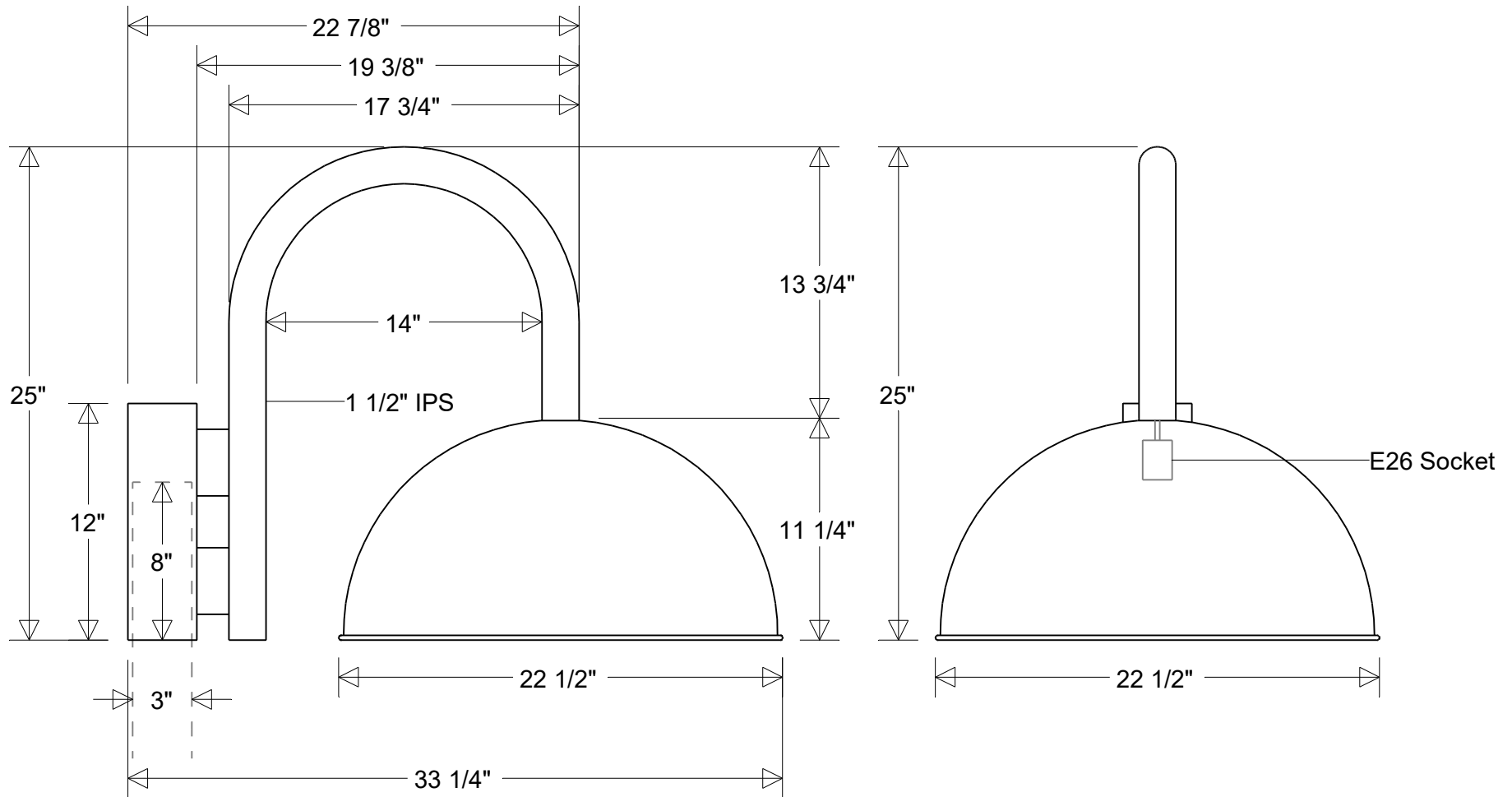


Primelite Manufacturing Corp.

407 S Main St, Freeport, NY 11520
 Phone: (516) 868-4411 | Fax: (516) 868-4609
 sales@primelite-mfg.com | www.primelite-mfg.com

PROUDLY MADE IN THE USA SINCE 1962!
"SPECIALTIES ARE OUR SPECIALTY!"

Job Info



#39/23-1963

22 1/2" Dia | 33 1/4" Ext | 25" H | 3" Post Fitter
 Shade: #39/23D | Arm: #1963

Lamp: E26 Socket Max Wattage: 300 W Number of Sockets: 1 120 V	Finish: 29 Oven Baked Powder Coated Paints	Drawn: CB 05/2026	Scale: 1/8	Approvals
	Material: Aluminum	Note: All dimensions are nominal. Actual dimensions may vary.		

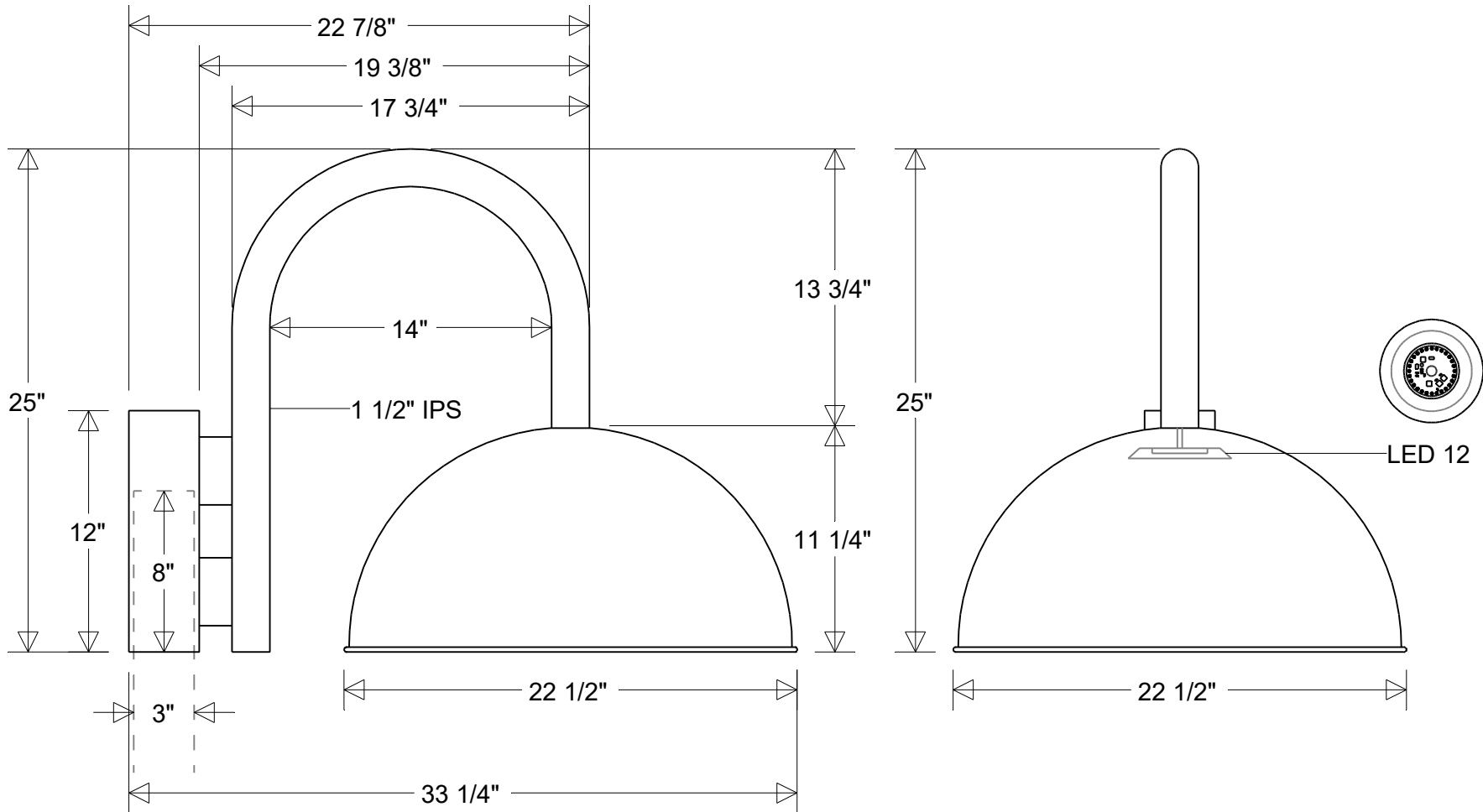


Primelite Manufacturing Corp.

407 S Main St, Freeport, NY 11520
 Phone: (516) 868-4411 | Fax: (516) 868-4609
 sales@primelite-mfg.com | www.primelite-mfg.com

PROUDLY MADE IN THE USA SINCE 1962!
"SPECIALTIES ARE OUR SPECIALTY!"

Job Info



#39/23-1963 LED 12

22 1/2" Dia | 33 1/4" Ext | 25" H | 3" Post Fitter
 Shade: #39/23D LED 12 | Arm: #1963

Lamp: 12 W LED
 CCT: 3K or 4K
 75W Inc Equivalent
 80 CRI
 120V
 Electronic Dimming

Finish:
 29 Oven Baked
 Powder Coated Paints
Material:
 Aluminum

Drawn:
 CB
 05/2026

Scale:
 1/8

Approvals

Note:
 All dimensions are nominal.
 Actual dimensions may vary.

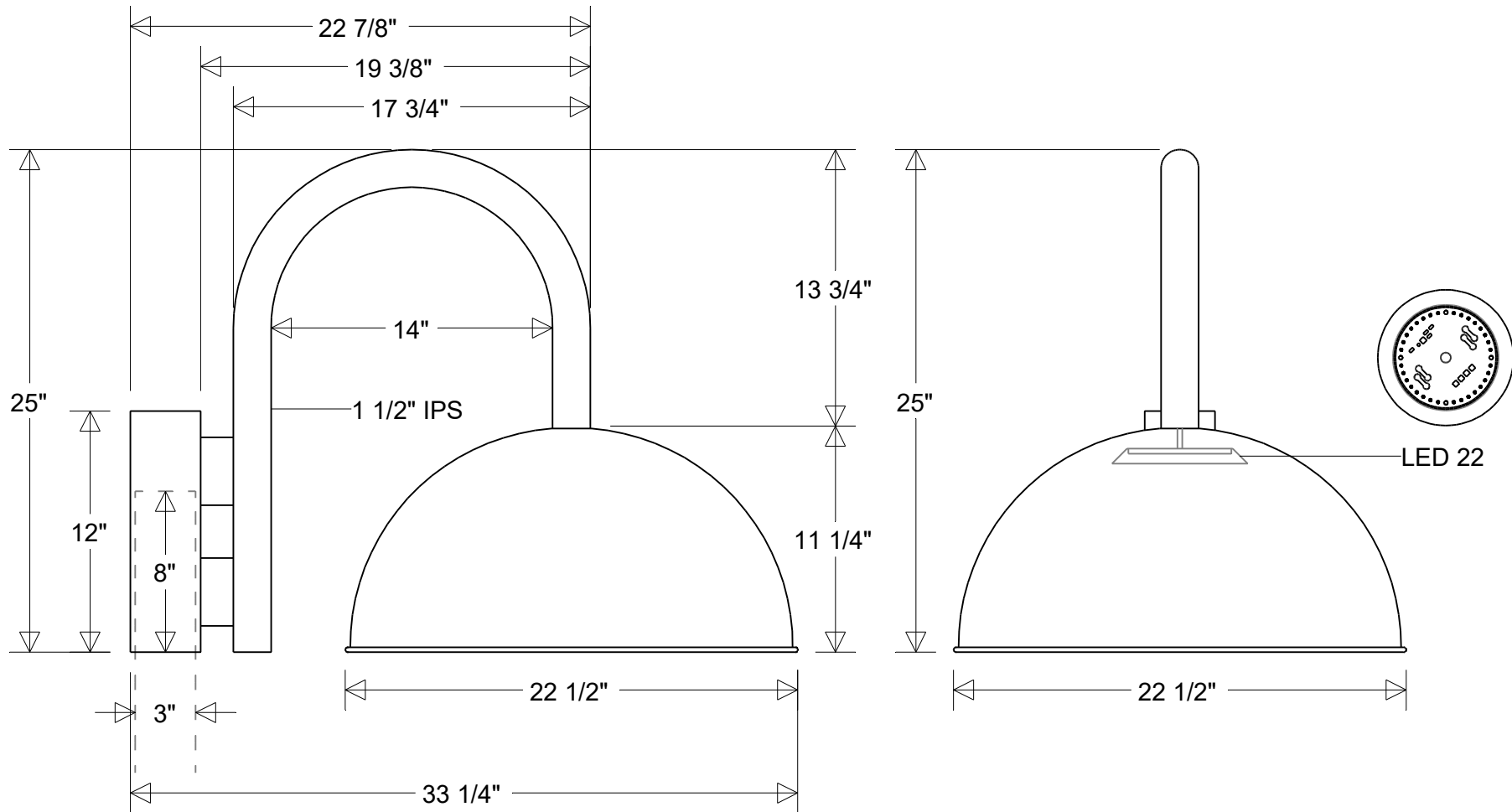


Primelite Manufacturing Corp.

407 S Main St, Freeport, NY 11520
 Phone: (516) 868-4411 | Fax: (516) 868-4609
 sales@primelite-mfg.com | www.primelite-mfg.com

PROUDLY MADE IN THE USA SINCE 1962!
"SPECIALTIES ARE OUR SPECIALTY!"

Job Info



#39/23-1963 LED 22

22 1/2" Dia | 33 1/4" Ext | 25" H | 3" Post Fitter

Shade: #39/23D LED 22 | Arm: #1963

Lamp: 22 W LED

CCT: 3K or 4K
 125W Inc Equivalent

80 CRI
 120V
 Electronic Dimming

Finish:

29 Oven Baked
 Powder Coated Paints

Material:
 Aluminum

Drawn:

CB
 05/2026

Note:

All dimensions are nominal.
 Actual dimensions may vary.

Scale:

1/8

Approvals

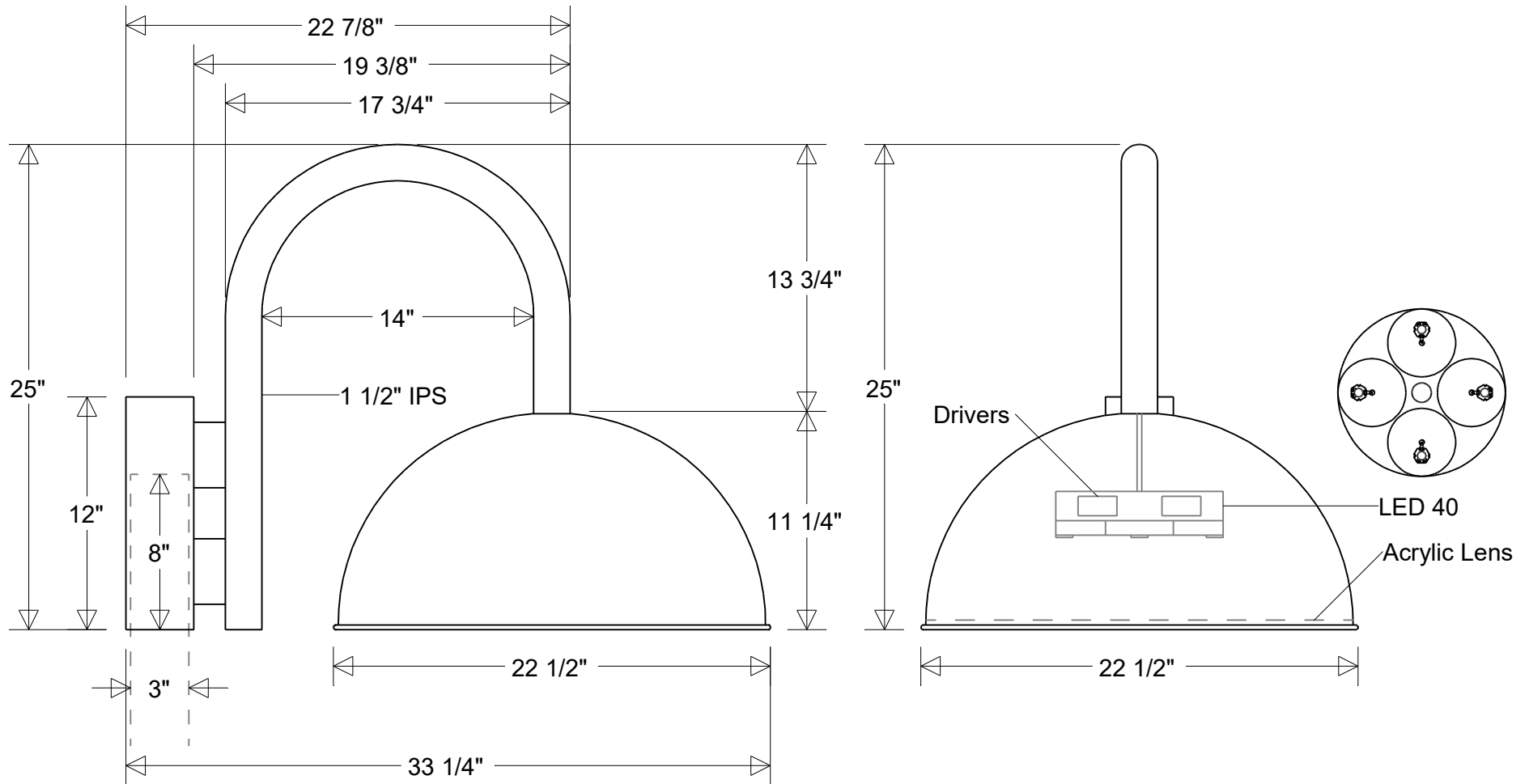


Primelite Manufacturing Corp.

407 S Main St, Freeport, NY 11520
 Phone: (516) 868-4411 | Fax: (516) 868-4609
 sales@primelite-mfg.com | www.primelite-mfg.com

PROUDLY MADE IN THE USA SINCE 1962!
"SPECIALTIES ARE OUR SPECIALTY!"

Job Info



#39/23-1963 LED 40 Dimm

22 1/2" Dia | 33 1/4" Ext | 25" H | 3" Post Fitter
 Shade: #39/23D LED 40 Dimm | Arm: #1963

Lamp: 40 W LED
 CCT: 3K or 4K | Others
 75W MH Equivalent

80 CRI
 120-277 V
 0-10 V Dimming

Finish:
 29 Oven Baked
 Powder Coated Paints

Material:
 Aluminum
 Acrylic Lens

Drawn:
 CB
 05/2026

Note:
 All dimensions are nominal.
 Actual dimensions may vary.

Scale:
 1/8

Approvals

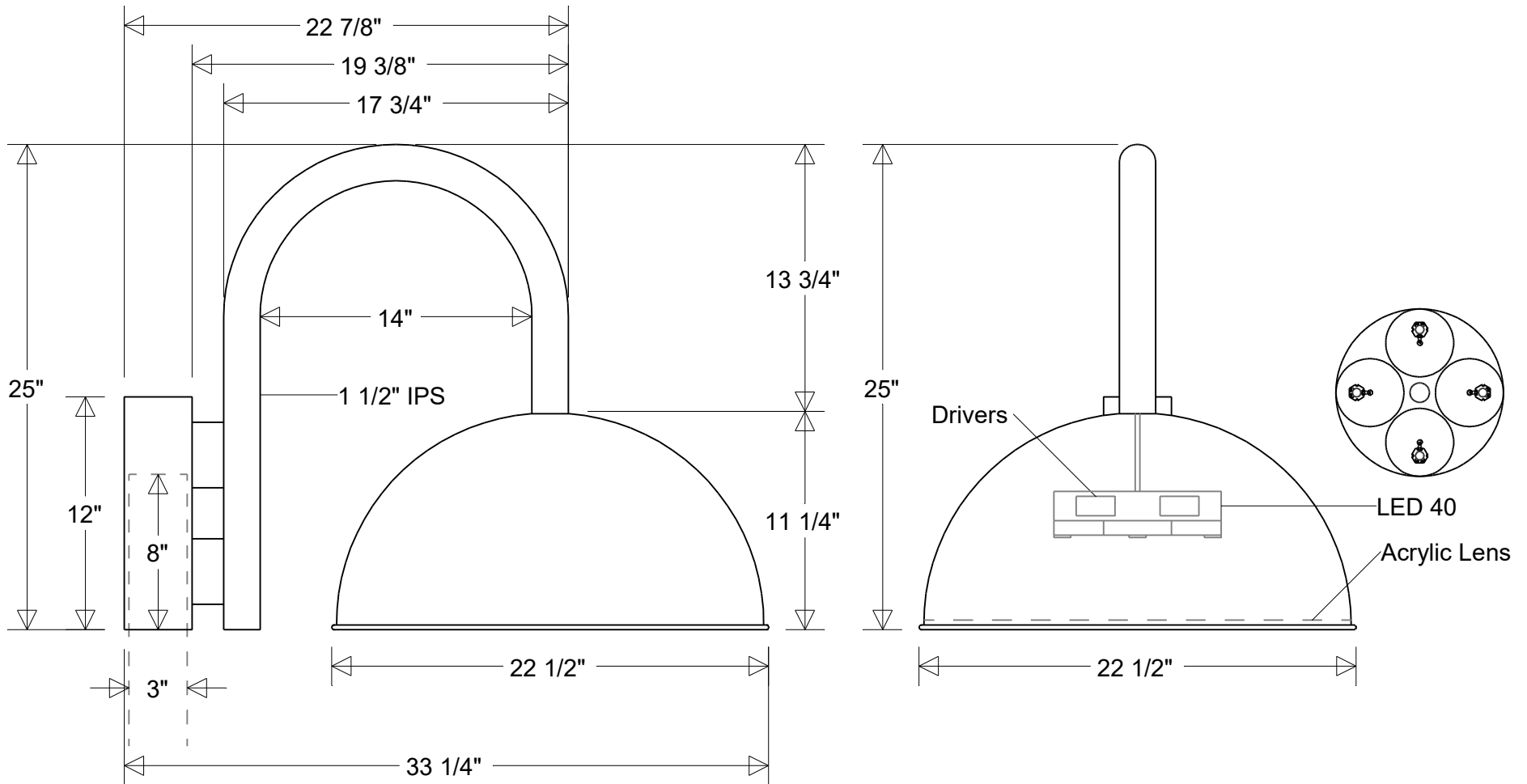


Primelite Manufacturing Corp.

407 S Main St, Freeport, NY 11520
 Phone: (516) 868-4411 | Fax: (516) 868-4609
 sales@primelite-mfg.com | www.primelite-mfg.com

PROUDLY MADE IN THE USA SINCE 1962!
"SPECIALTIES ARE OUR SPECIALTY!"

Job Info



#39/23-1963 LED 40 NonDimm

22 1/2" Dia | 33 1/4" Ext | 25" H | 3" Post Fitter
 Shade: #39/23D LED 40 NonDimm | Arm: #1963

Lamp: 40 W LED
 CCT: 3K or 4K | Others
 75W MH Equivalent

80 CRI
 120-277 V
 Non-Dimming

Finish:
 29 Oven Baked
 Powder Coated Paints

Material:
 Aluminum
 Acrylic Lens

Drawn:
 CB
 05/2026

Note:
 All dimensions are nominal.
 Actual dimensions may vary.

Scale:
 1/8

Approvals

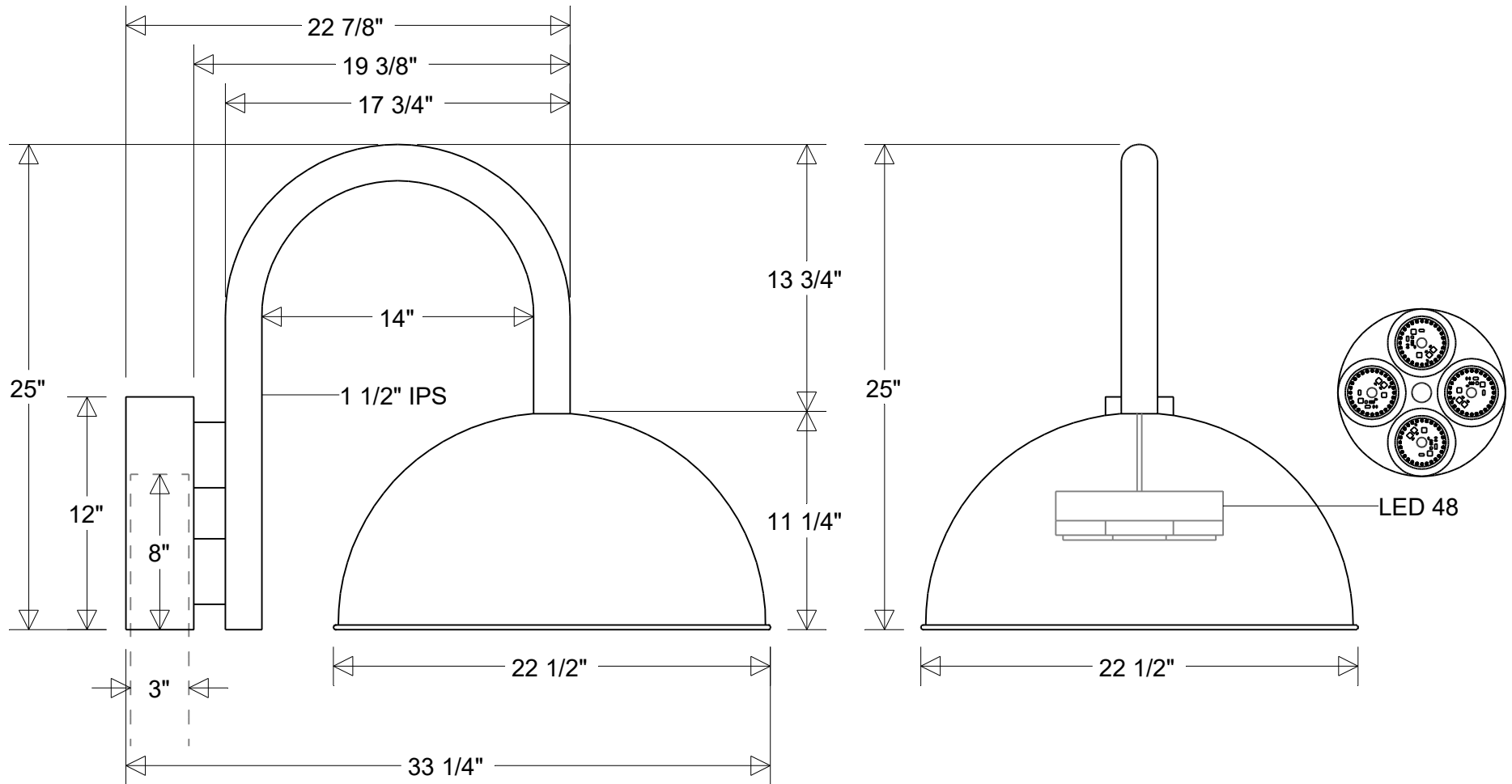


Primelite Manufacturing Corp.

407 S Main St, Freeport, NY 11520
 Phone: (516) 868-4411 | Fax: (516) 868-4609
 sales@primelite-mfg.com | www.primelite-mfg.com

PROUDLY MADE IN THE USA SINCE 1962!
"SPECIALTIES ARE OUR SPECIALTY!"

Job Info



#39/23-1963 LED 48

22 1/2" Dia | 33 1/4" Ext | 25" H | 3" Post Fitter
 Shade: #39/23D LED 48 | Arm: #1963

Lamp: 48 W LED
 CCT: 3K or 4K
 75W MH Equivalent
 80 CRI
 120V
 Electronic Dimming

Finish:
 29 Oven Baked
 Powder Coated Paints
Material:
 Aluminum

Drawn:
 CB
 05/2026

Scale:
 1/8

Approvals

Note:
 All dimensions are nominal.
 Actual dimensions may vary.

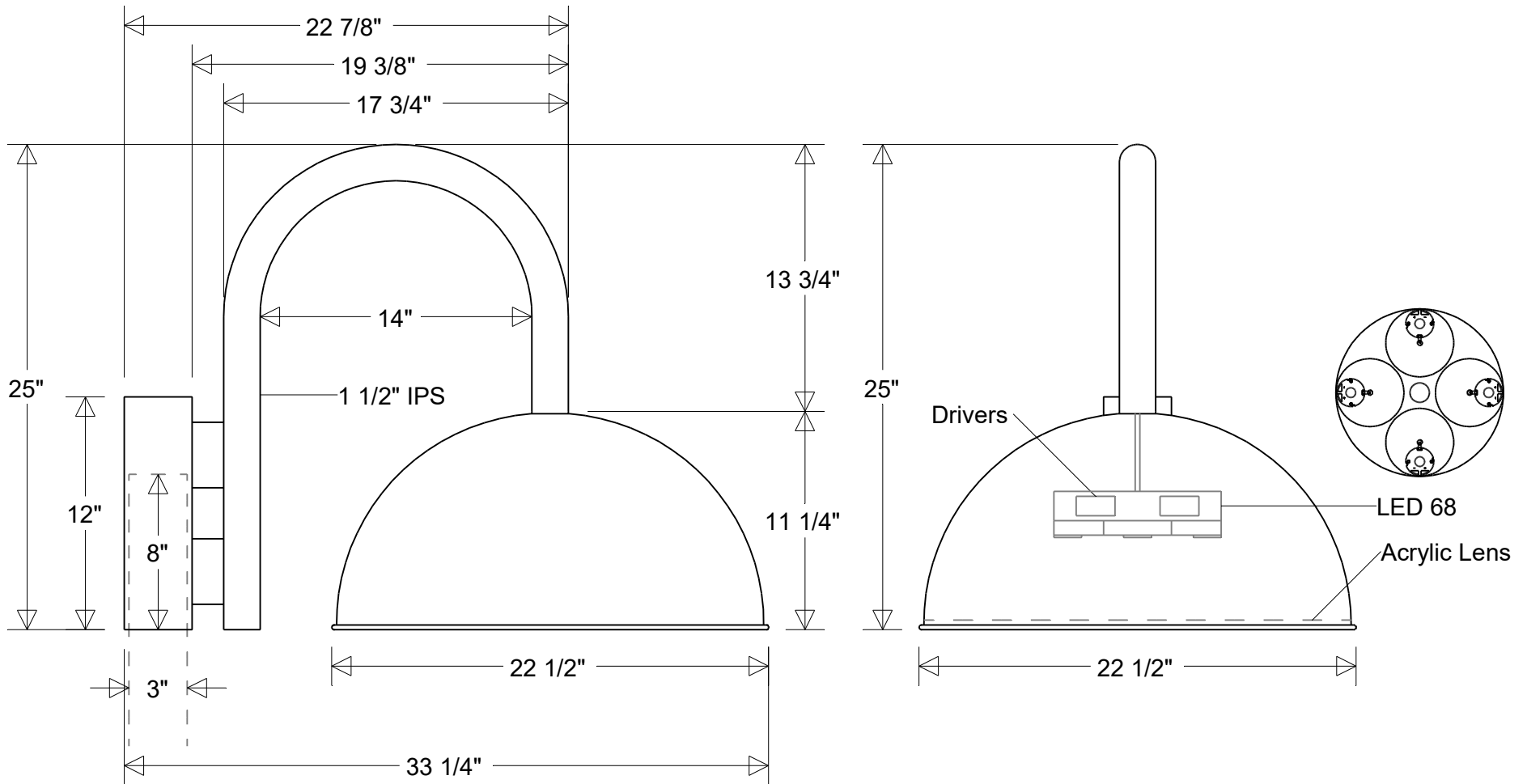


Primelite Manufacturing Corp.

407 S Main St, Freeport, NY 11520
 Phone: (516) 868-4411 | Fax: (516) 868-4609
 sales@primelite-mfg.com | www.primelite-mfg.com

PROUDLY MADE IN THE USA SINCE 1962!
"SPECIALTIES ARE OUR SPECIALTY!"

Job Info



#39/23-1963 LED 68 Dimm

22 1/2" Dia | 33 1/4" Ext | 25" H | 3" Post Fitter
 Shade: #39/23D LED 68 Dimm | Arm: #1963

Lamp: 68 W LED
 CCT: 3K or 4K | Others
 125W MH Equivalent

80 CRI
 120-277 V
 0-10 V Dimming

Finish:
 29 Oven Baked
 Powder Coated Paints

Material:
 Aluminum
 Acrylic Lens

Drawn:
 CB
 05/2026

Scale:
 1/8

Note:
 All dimensions are nominal.
 Actual dimensions may vary.

Approvals

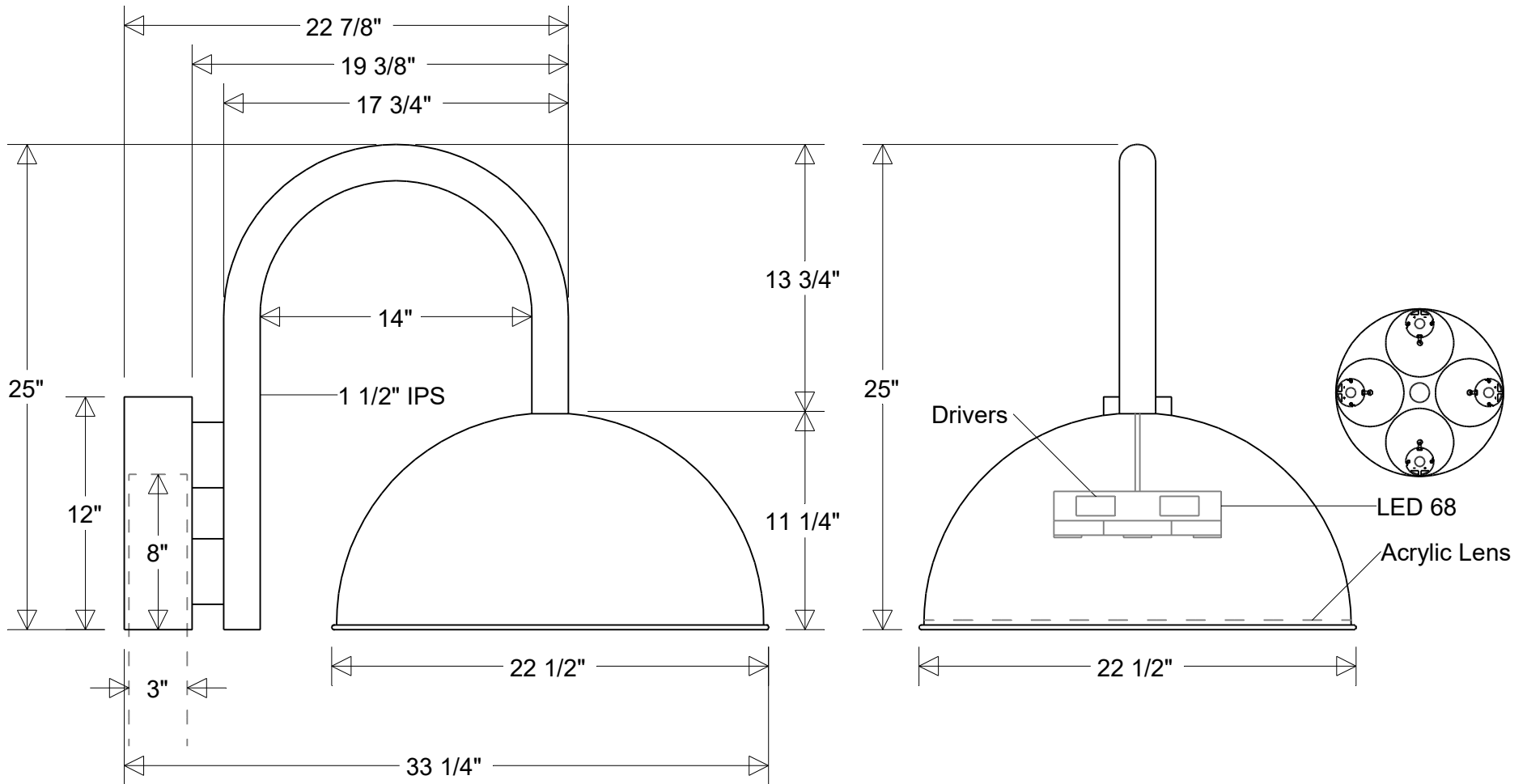


Primelite Manufacturing Corp.

407 S Main St, Freeport, NY 11520
 Phone: (516) 868-4411 | Fax: (516) 868-4609
 sales@primelite-mfg.com | www.primelite-mfg.com

PROUDLY MADE IN THE USA SINCE 1962!
"SPECIALTIES ARE OUR SPECIALTY!"

Job Info



#39/23-1963 LED 68 NonDimm

22 1/2" Dia | 33 1/4" Ext | 25" H | 3" Post Fitter
 Shade: #39/23D LED 68 NonDimm | Arm: #1963

Lamp: 68 W LED CCT: 3K or 4K Others 125W MH Equivalent 80 CRI 120-277 V Non-Dimming	Finish: 29 Oven Baked Powder Coated Paints Material: Aluminum Acrylic Lens	Drawn: CB 05/2026	Scale: 1/8	Approvals
		Note: All dimensions are nominal. Actual dimensions may vary.		

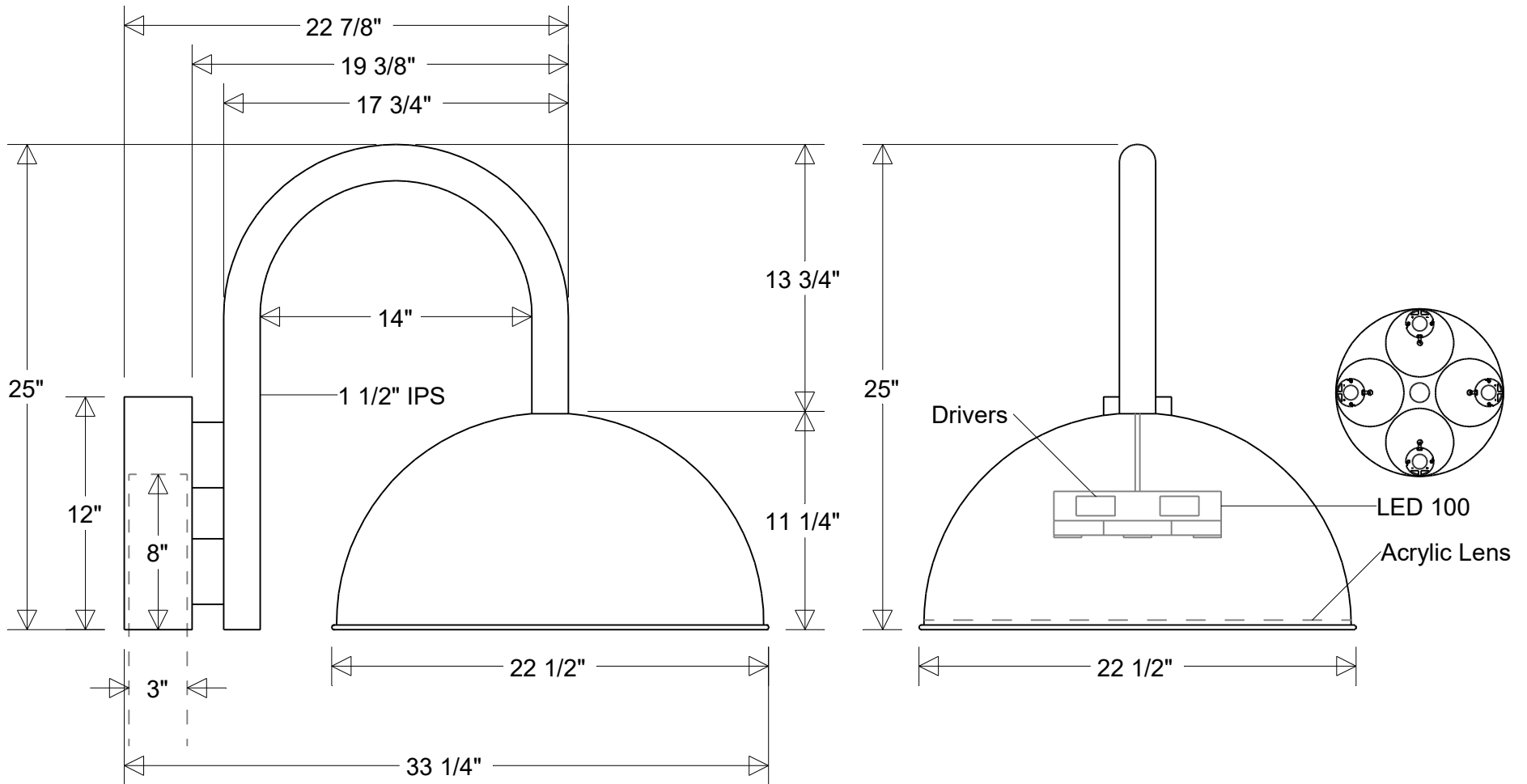


Primelite Manufacturing Corp.

407 S Main St, Freeport, NY 11520
 Phone: (516) 868-4411 | Fax: (516) 868-4609
 sales@primelite-mfg.com | www.primelite-mfg.com

PROUDLY MADE IN THE USA SINCE 1962!
"SPECIALTIES ARE OUR SPECIALTY!"

Job Info



#39/23-1963 LED 100 Dimm

22 1/2" Dia | 33 1/4" Ext | 25" H | 3" Post Fitter
 Shade: #39/23D LED 100 Dimm | Arm: #1963

Lamp: 100 W LED
 CCT: 3K or 4K | Others
 200W MH Equivalent

80 CRI
 120-277 V
 0-10 V Dimming

Finish:
 29 Oven Baked
 Powder Coated Paints

Material:
 Aluminum
 Acrylic Lens

Drawn:
 CB
 05/2026

Note:
 All dimensions are nominal.
 Actual dimensions may vary.

Scale:
 1/8

Approvals

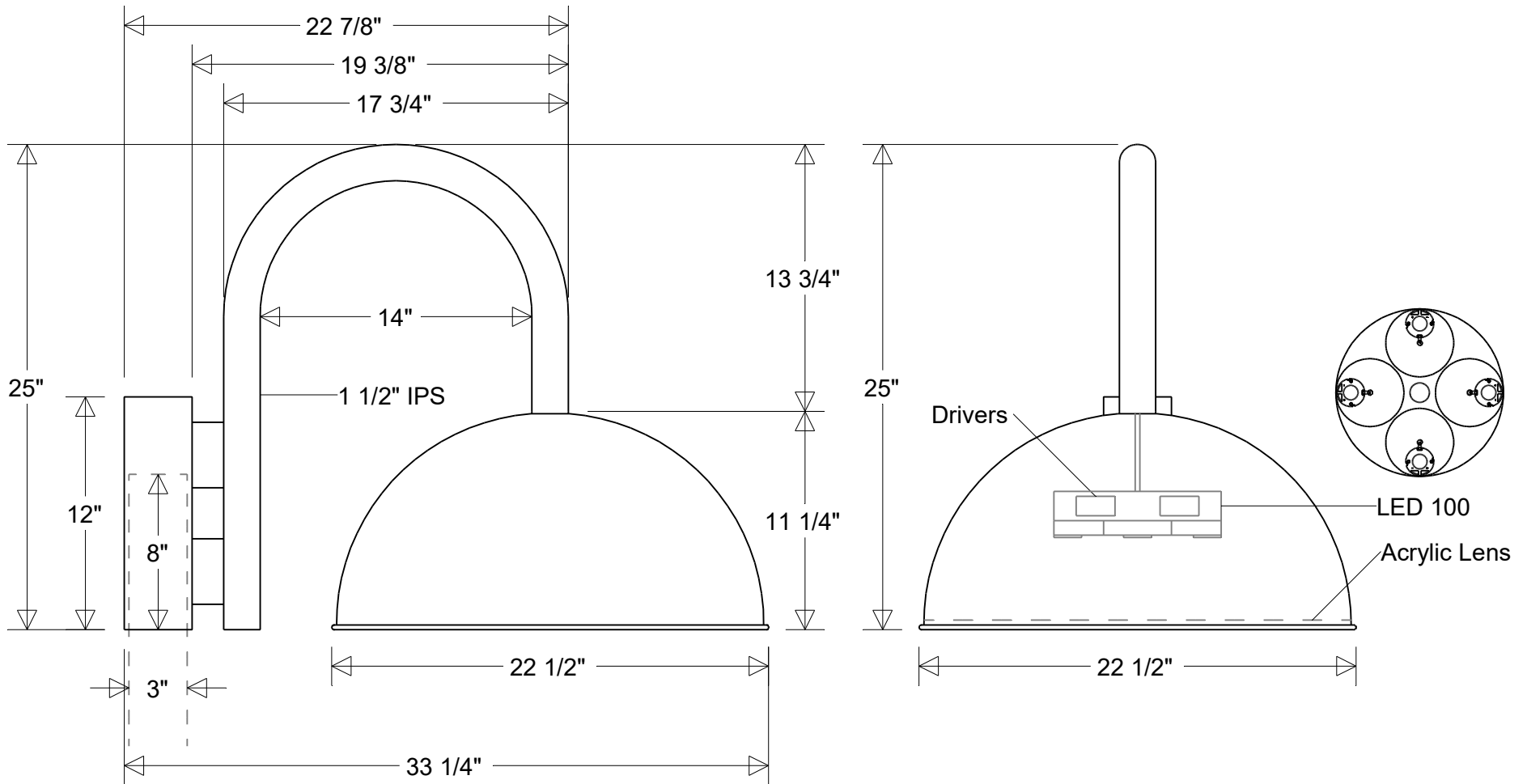


Primelite Manufacturing Corp.

407 S Main St, Freeport, NY 11520
 Phone: (516) 868-4411 | Fax: (516) 868-4609
 sales@primelite-mfg.com | www.primelite-mfg.com

PROUDLY MADE IN THE USA SINCE 1962!
"SPECIALTIES ARE OUR SPECIALTY!"

Job Info



#39/23-1963 LED 100 NonDimm

Lamp: 100 W LED CCT: 3K or 4K Others 200W MH Equivalent	Finish: 29 Oven Baked Powder Coated Paints	Drawn: CB 05/2026	Scale: 1/8	Approvals	
80 CRI 120-277 V Non-Dimming	Material: Aluminum Acrylic Lens	Note: All dimensions are nominal. Actual dimensions may vary.			

22 1/2" Dia | 33 1/4" Ext | 25" H | 3" Post Fitter

Shade: #39/23D LED 100 NonDimm | Arm: #1963