

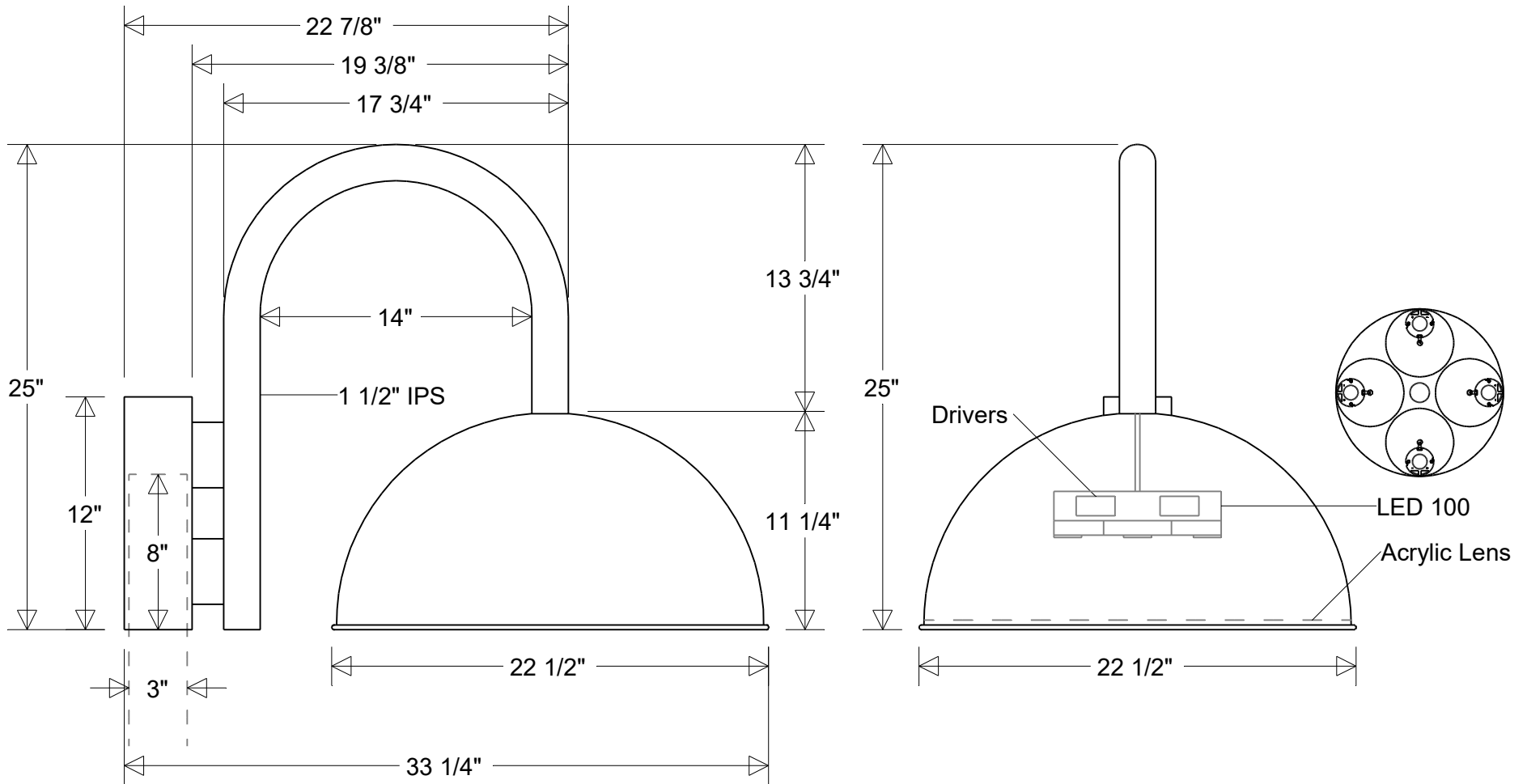


Primelite Manufacturing Corp.

407 S Main St, Freeport, NY 11520
 Phone: (516) 868-4411 | Fax: (516) 868-4609
 sales@primelite-mfg.com | www.primelite-mfg.com

PROUDLY MADE IN THE USA SINCE 1962!
"SPECIALTIES ARE OUR SPECIALTY!"

Job Info



#39/23-1963 LED 100 NonDimm

Lamp: 100 W LED CCT: 3K or 4K Others 200W MH Equivalent	Finish: 29 Oven Baked Powder Coated Paints	Drawn: CB 05/2026	Scale: 1/8	Approvals	
80 CRI 120-277 V Non-Dimming	Material: Aluminum Acrylic Lens	Note: All dimensions are nominal. Actual dimensions may vary.			

22 1/2" Dia | 33 1/4" Ext | 25" H | 3" Post Fitter

Shade: #39/23D LED 100 NonDimm | Arm: #1963