

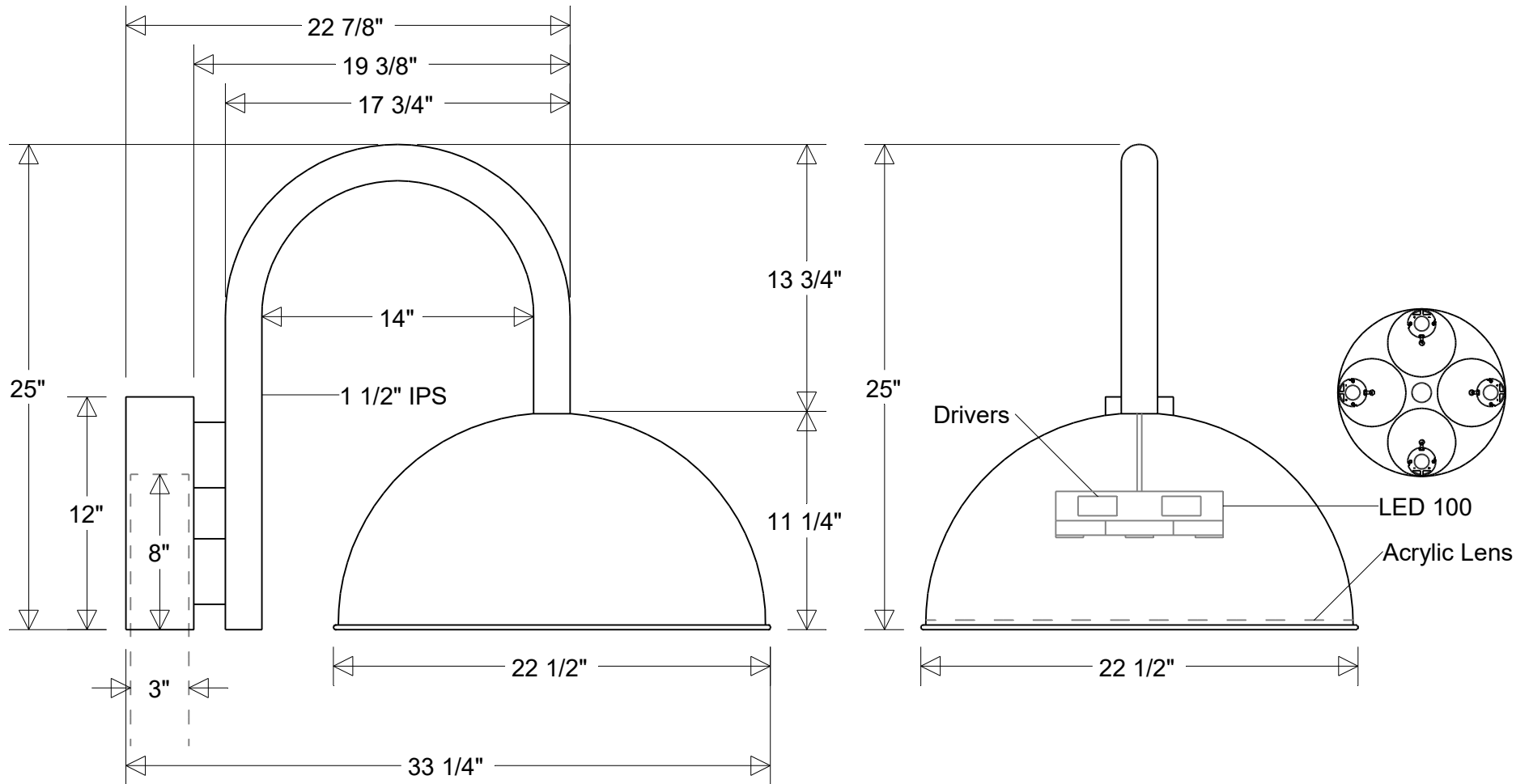


Primelite Manufacturing Corp.

407 S Main St, Freeport, NY 11520
 Phone: (516) 868-4411 | Fax: (516) 868-4609
 sales@primelite-mfg.com | www.primelite-mfg.com

PROUDLY MADE IN THE USA SINCE 1962!
"SPECIALTIES ARE OUR SPECIALTY!"

Job Info



#39/23-1963 LED 100 Dimm

22 1/2" Dia | 33 1/4" Ext | 25" H | 3" Post Fitter
 Shade: #39/23D LED 100 Dimm | Arm: #1963

Lamp: 100 W LED
 CCT: 3K or 4K | Others
 200W MH Equivalent

80 CRI
 120-277 V
 0-10 V Dimming

Finish:
 29 Oven Baked
 Powder Coated Paints

Material:
 Aluminum
 Acrylic Lens

Drawn:
 CB
 05/2026

Scale:
 1/8"

Note:
 All dimensions are nominal.
 Actual dimensions may vary.

Approvals
