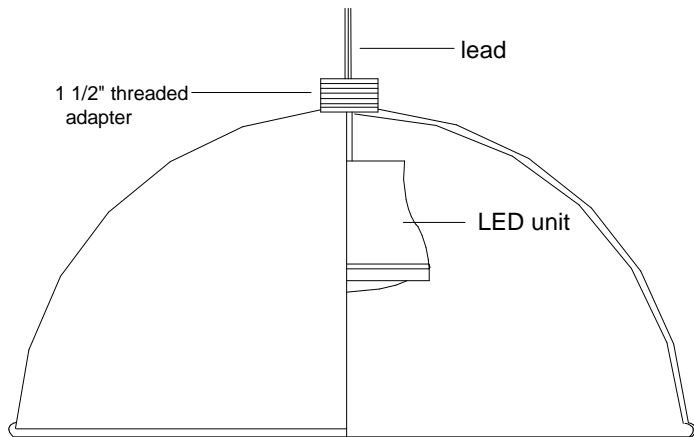
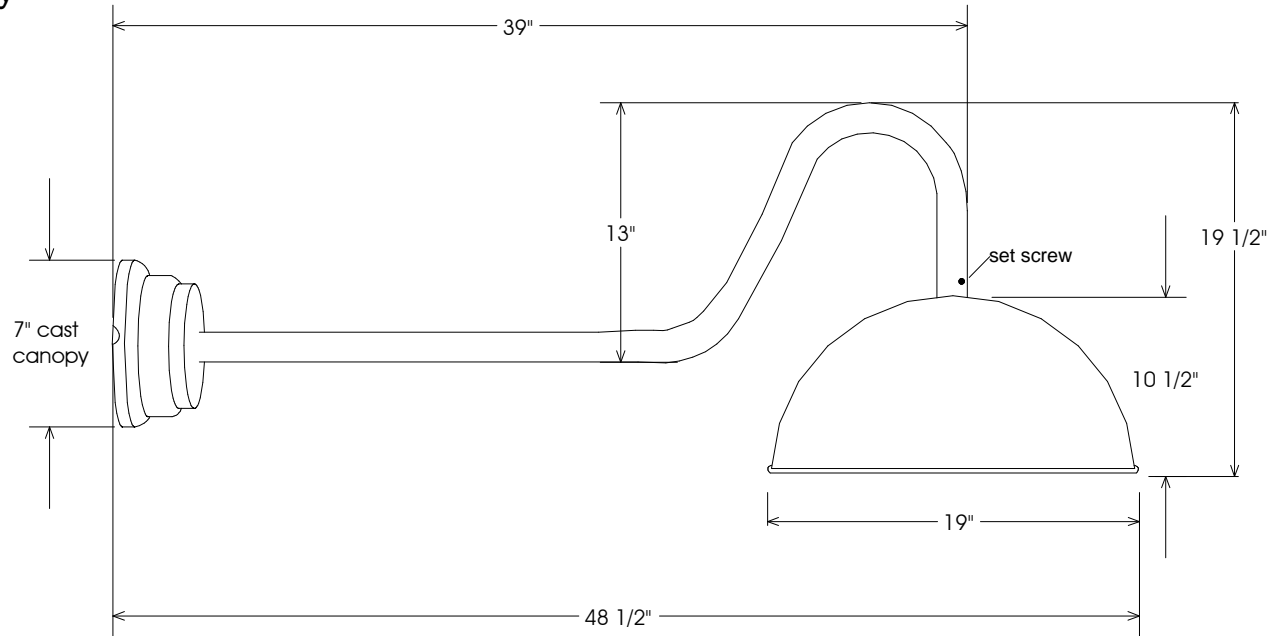
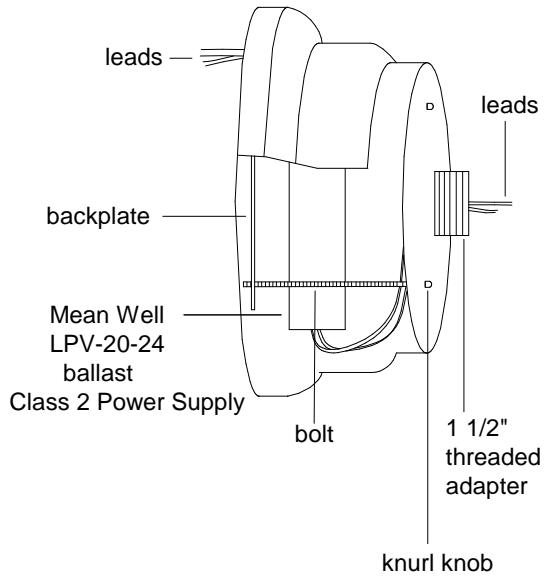


Small Ballast Pot Canopy



39/19A shade

- 50,000 hour life
- Average savings is \$39.42 per year as compared to a 75 Watt incandescent
- Savings of \$ 518.16 for the life of the fixture
- Lumen output is equal to a 75 Watt bulb.

Unless Otherwise Specified: Dimensions in Inches Tolerances: Fractional ± Angular: Mach ± Bend ± Two Place Decimal ± Three Place Decimal ±	Drawn	Name	Date	Primelite Mfg. Corp. 39/19-957 LED 24 Watt 1000 Lumens @ 3000K 1250 Lumens @ 4000K 24 Volt Output
	Checked	T.A.R.	10/19/11	
	ENG Appr.		10/24/11	
	MFR Appr.			
	QA			
Construction: All Aluminum Pipe Size: 2"	Comments CAD Generated Drawing Do Not Manually Update			Size A
	Drawing No. 0001		Rev A	
	Scale	CAD File	Sheet 1 of 1	