



Primelite Manufacturing Corp

407 S Main St, Freeport, NY 11520

Phone: 516-868-4411 | Fax: 516-868-4609
 sales@primelite-mfg.com | www.primelite-mfg.com

PART #

#39/19-1961

LAMP

Incandescent

VOLTAGE

120 V

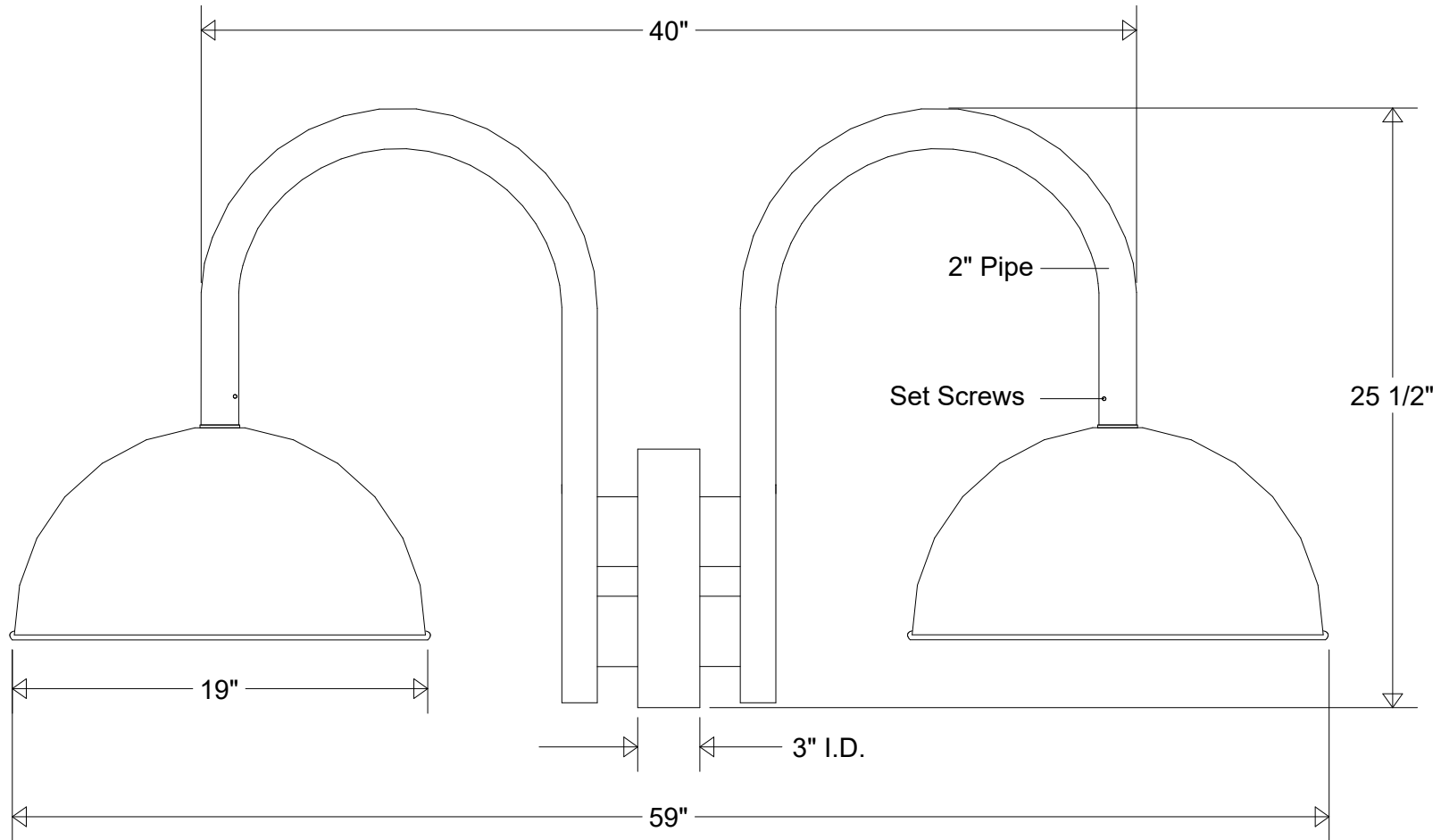
COLOR

Powder Coated Paint

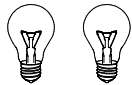
JOB NAME

TYPE

Post Light



Lamp: Incandescent
 Max Wattage: 2/300A



Name Date

Drawn CB 7/2020

Checked

ENG Appr.

MFR Appr.

QA

Weight

Post Light #39/19-1961

19" Dia | 25 1/2" H | 59" W
 Fits 3" O.D. Heavy Gauge Posts

Size Drawing No. Rev
A 0001 A

Scale CAD File Sheet
1 of 1

Revisions

Zone	Rev	Description	Date	Approved