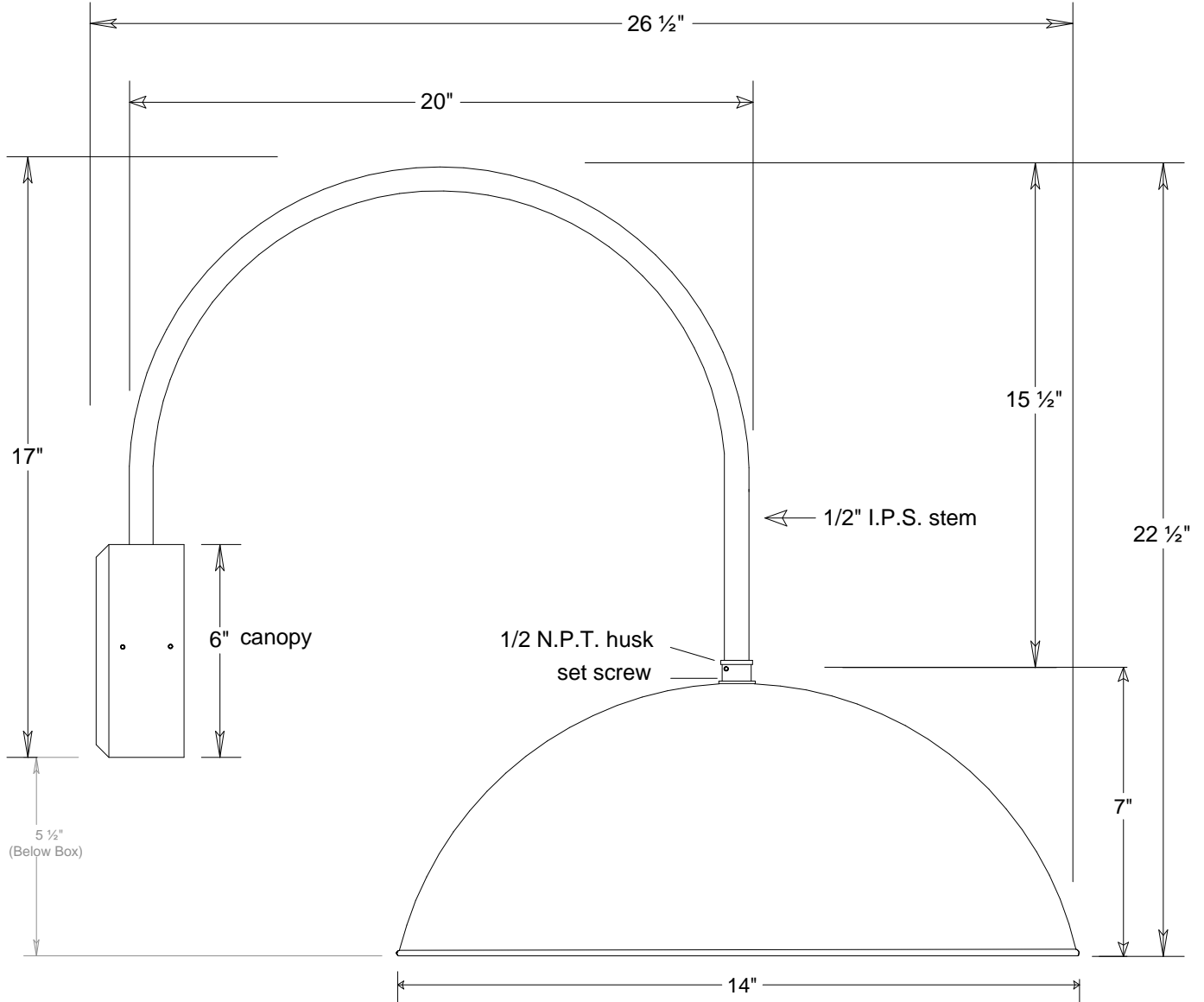




Primelite Manufacturing Corp

407 S Main St, Freeport, NY 11520
 Phone: 516-868-4411 | Fax: 516-868-4609
 sales@primelite-mfg.com | www.primelite-mfg.com

PART #	LAMP	VOLTAGE	COLOR
JOB NAME			TYPE



Unless Otherwise Specified: Dimensions in Inches Tolerances: Fractional ± Angular: Mach ± Bend ± Two Place Decimal ± Three Place Decimal ±	Name	Date	Gooseneck #39/14-866			
	Drawn	lv				01/11/18
	Checked			Size	Drawing No.	Rev
	ENG Appr.			A	0001	A
	MFR Appr.			Scale	CAD File	Sheet
Construction: Aluminum	QA				1 of 1	
Lamp: Incandescent LED 1/150A LED22	Comments					

Revisions				
Zone	Rev	Description	Date	Approved