

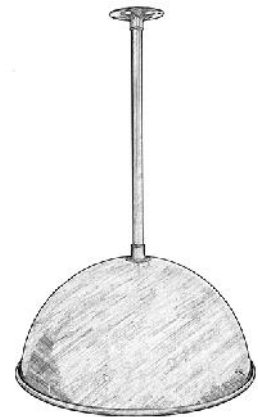
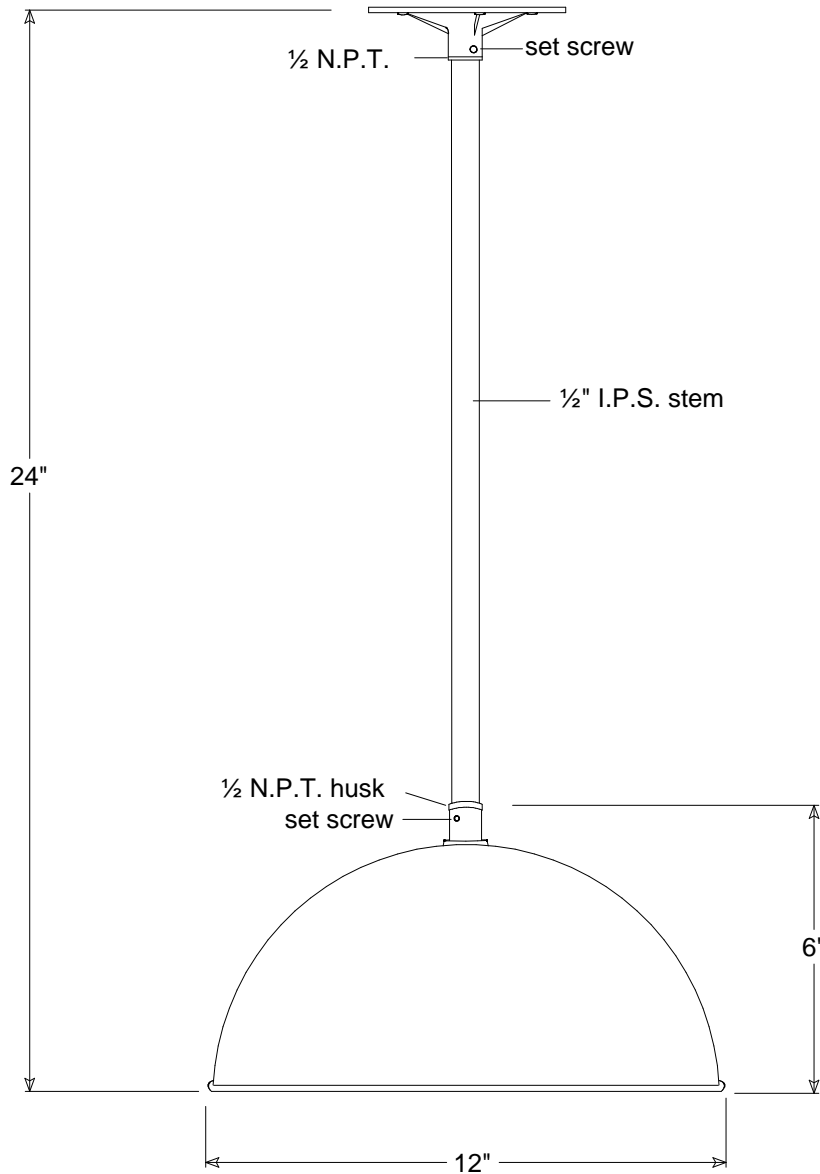


Primelite Manufacturing Corp

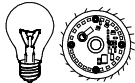
407 S Main St, Freeport, NY 11520

Phone: 516-868-4411 | Fax: 516-868-4609
 sales@primelite-mfg.com | www.primelite-mfg.com

PART # #39/12-18	LAMP Incandescent LED	VOLTAGE 120 V	COLOR Powder Coated Paint
JOB NAME			TYPE Pendant



Lamp: Incandescent | LED



1/75A | LED12

Name	Date
iv	05/15/18

Pendant #39/12-18

12" Dia Shade | 18" Stem

Construction: Aluminum

Unless Otherwise Specified:
Dimensions in Inches

Drawn	Checked	ENG Appr.	MFR Appr.	QA	Comments
iv					
Size			Drawing No.	Rev	
A			0001	A	
Scale		CAD File	Sheet	1 of 1	

Revisions				
Zone	Rev	Description	Date	Approved