

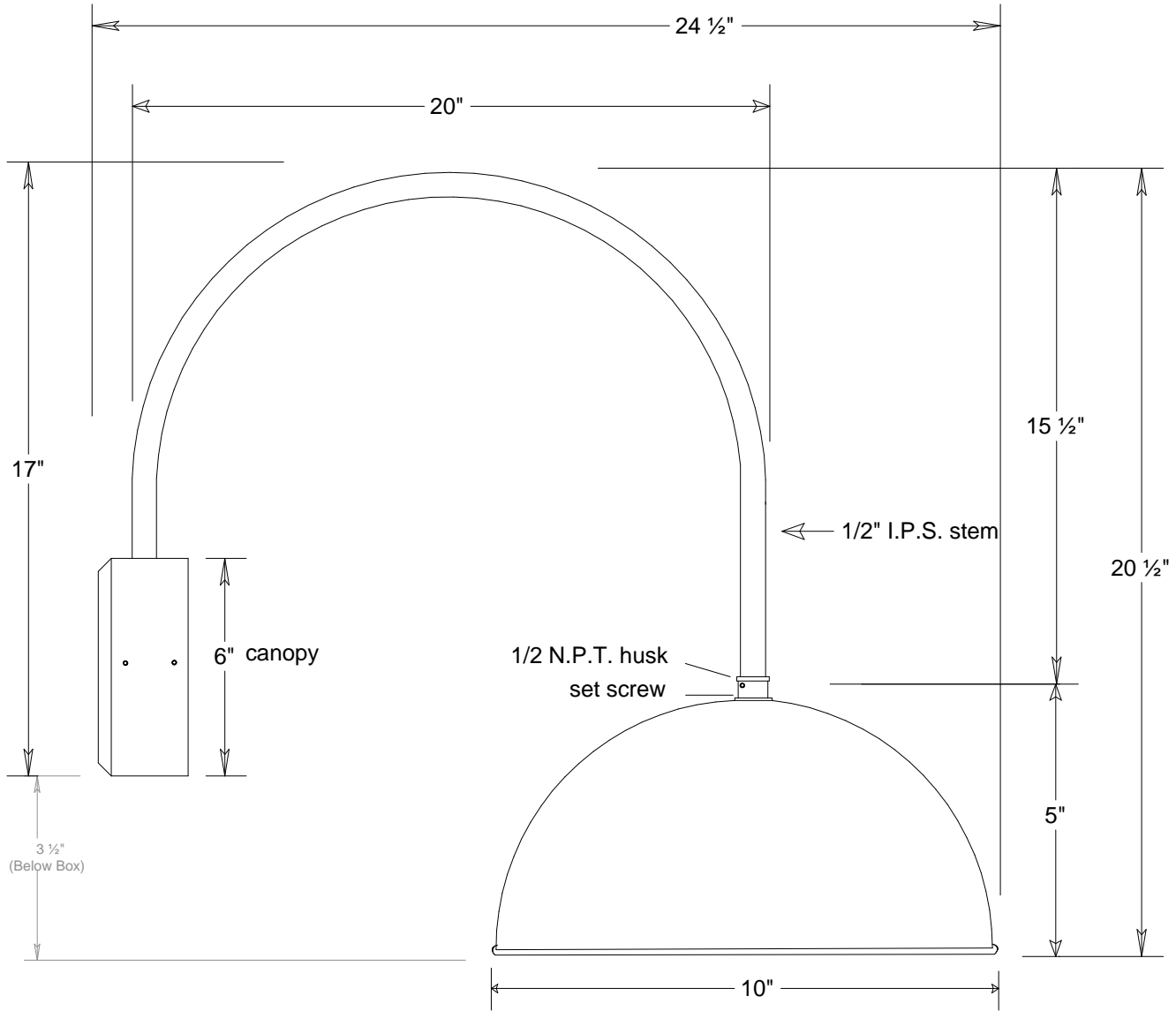


Primelite Manufacturing Corp

407 S Main St, Freeport, NY 11520

Phone: 516-868-4411 | Fax: 516-868-4609
 sales@primelite-mfg.com | www.primelite-mfg.com

PART #	LAMP	VOLTAGE	COLOR
JOB NAME			TYPE



Unless Otherwise Specified: Dimensions in Inches Tolerances: Fractional ± Angular: Mach ± Bend ± Two Place Decimal ± Three Place Decimal ±	Name		Date		Gooseneck #39/10-866 10" Shade 20" Arm 4 1/2" Below Box	Revisions					
	Drawn	iv	01/03/18			Zone	Rev	Description	Date	Approved	
	Checked			Size		Drawing No.	Rev				
	ENG Appr.			A		0001	A				
Construction: Aluminum	MFR Appr.			Scale	CAD File	Sheet	1 of 1				
Lamp: Incandescent LED 175A LED12	QA										
Comments											