

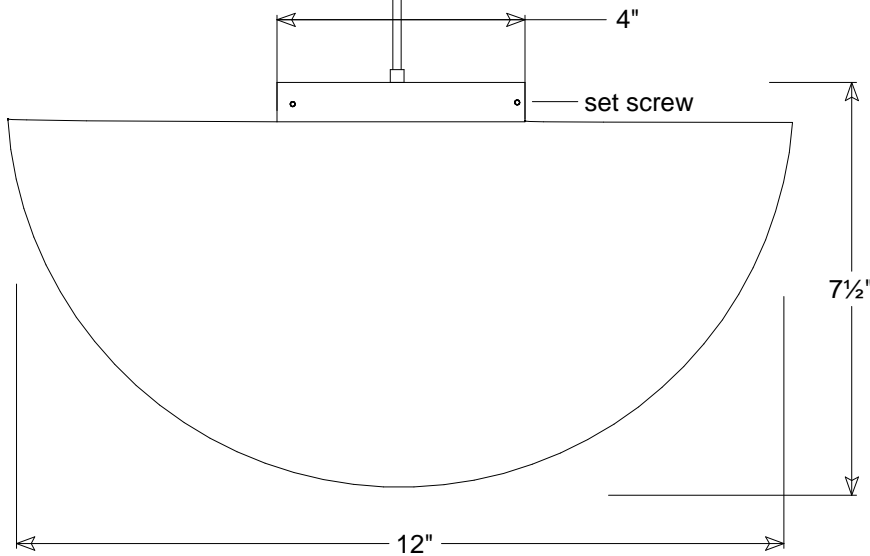
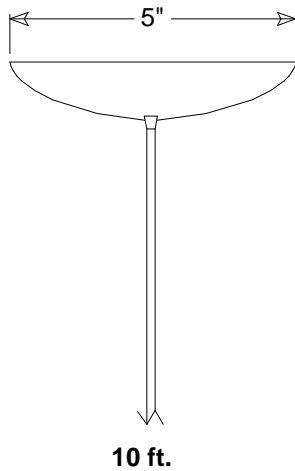



Primelite Manufacturing Corp

407 S Main St, Freeport, NY 11520

Phone: 516-868-4411 | Fax: 516-868-4609
 sales@primelite-mfg.com | www.primelite-mfg.com

PART # #382	LAMP Incandescent LED	VOLTAGE 120V	COLOR Powder Coated Paint
JOB NAME			TYPE Semi Hemi Glass Pendant



Lamp: Incandescent LED  1/100A LED12 3K	Name		Date		<h2>Pendant #382</h2> <p>12" Dia Semi Hemi Glass Pendant 10' Vinyl Cord</p>
	Drawn	iv	09/06/18		
	Checked				
	ENG Appr.				
	MFR Appr.				
Construction: Aluminum Glass	QA		Size	Drawing No.	Rev
			A	0001	A
	Unless Otherwise Specified: Dimensions in Inches		Scale	CAD File	Sheet

Revisions				
Zone	Rev	Description	Date	Approved