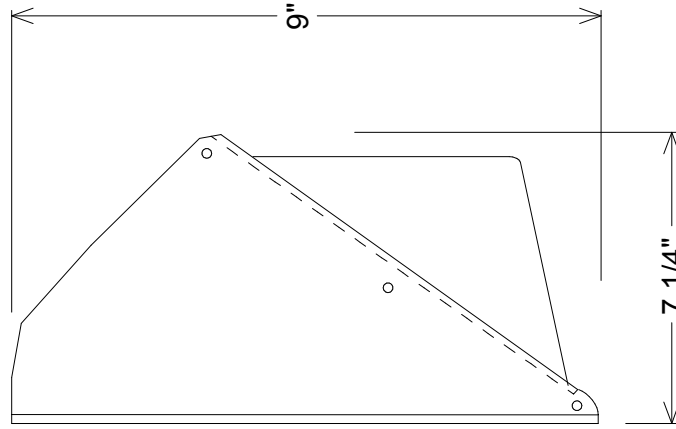


front view



side view

<b>Unless Otherwise Specified:</b>		<b>Drawn</b>	<b>Name</b>	<b>Date</b>
Dimensions in Inches			T.A.R.	02/09/11
Tolerances: Fractional ±		<b>Checked</b>		
Angular: Mach ± Bend ±		<b>ENG Appr.</b>		
Two Place Decimal ±		<b>MFR Appr.</b>		
Three Place Decimal ±		<b>QA</b>		
<b>Construction: aluminum, acrylic</b>		<b>Comments</b>		
		CAD Generated Drawing Do Not Manually Update		
<b>Primelight Mfg. Corp.</b>				
<b>3802</b>				
<b>35-200 HPS</b>				
<b>50-175 MH</b>				
<b>Size</b>	<b>Drawing No.</b>	<b>Rev</b>		
A	0001	A		
<b>Scale</b>	<b>CAD File</b>	<b>Sheet</b>		
		1 of 1		