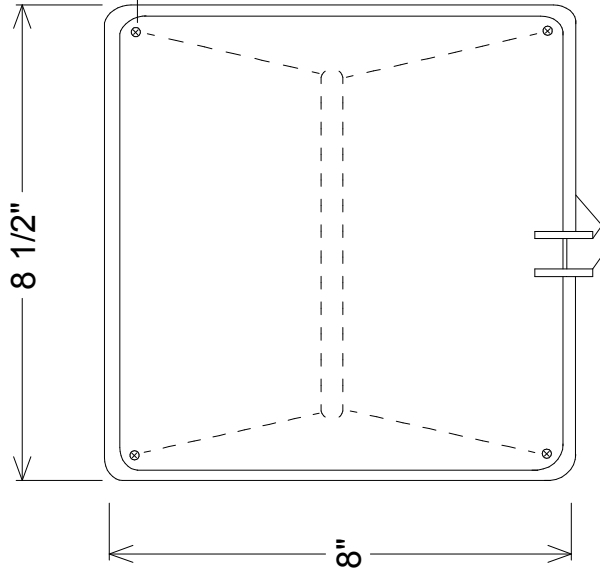
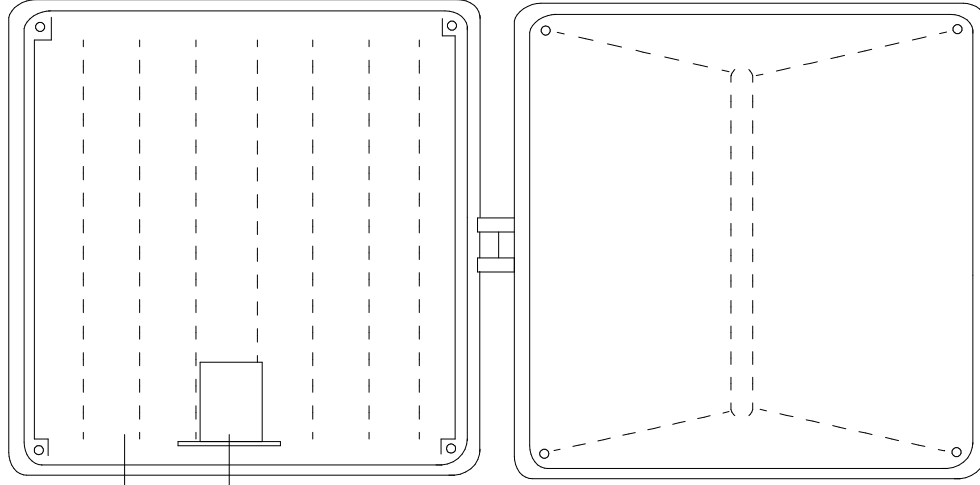


side view



front view



reflector

socket

inside view

set screw

Unless Otherwise Specified:
 Dimensions in Inches
 Tolerances: Fractional ±
 Angular: Mach ± Bend ±
 Two Place Decimal ±
 Three Place Decimal ±

Construction: aluminum

Drawn	Name	Date
Checked	T.A.R.	09/22/10
ENG Appr.		
MFR Appr.		
QA		

Comments
 CAD Generated Drawing
 Do Not Manually Update

Primelight Mfg. Corp.

3801
 35-100 HPS
 50-100 MH

Size	Drawing No.	Rev
A	0001	A

Scale	CAD File	Sheet
		1 of 1