

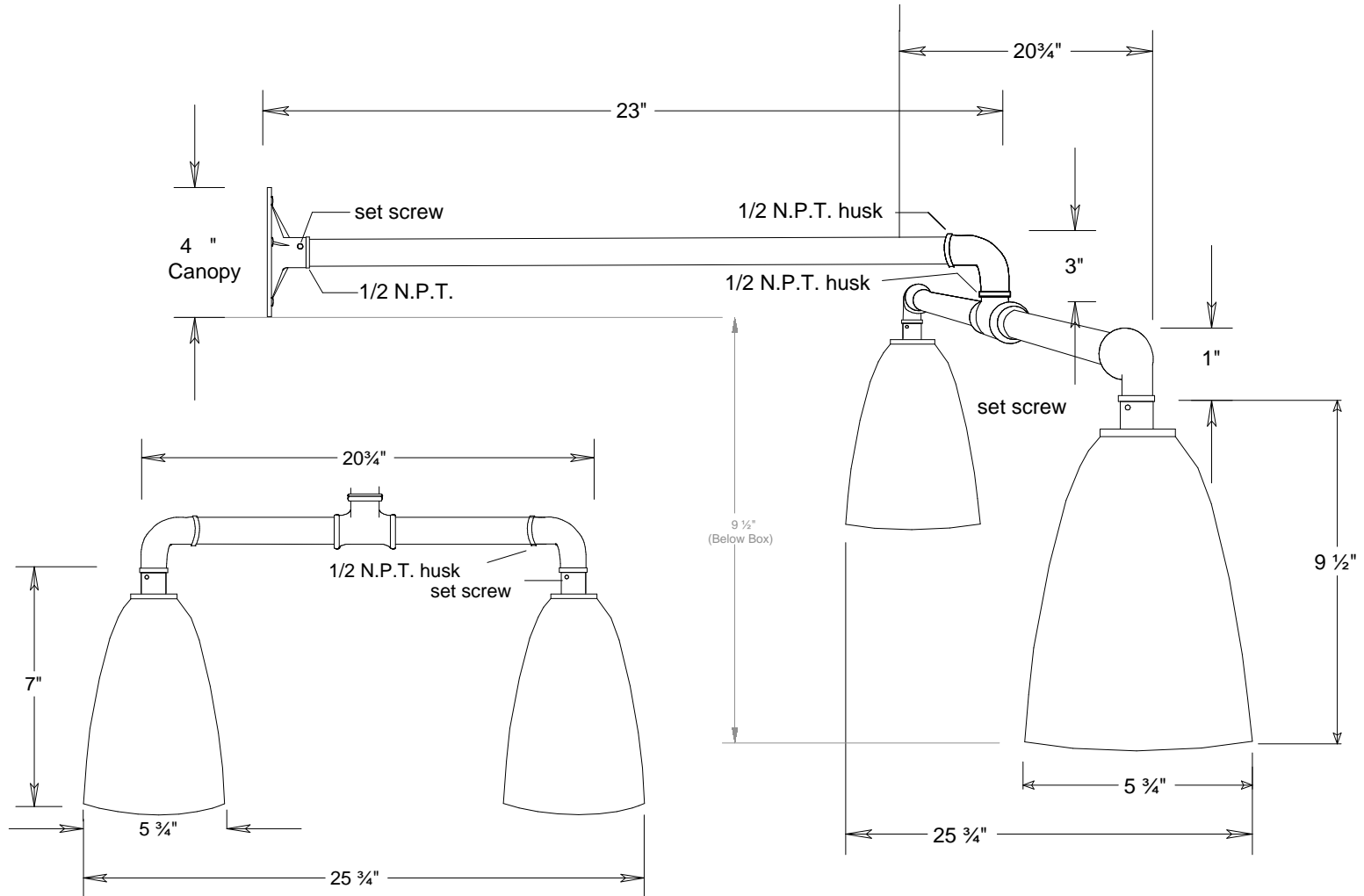


Primelite Manufacturing Corp

407 S Main St, Freeport, NY 11520

Phone: 516-868-4411 | Fax: 516-868-4609
 sales@primelite-mfg.com | www.primelite-mfg.com

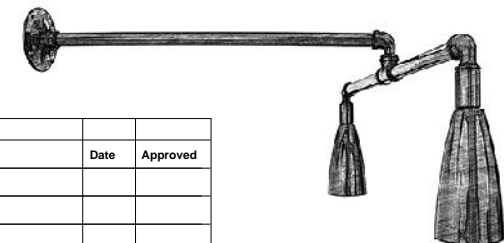
PART #	LAMP	VOLTAGE	COLOR
JOB NAME			TYPE



Unless Otherwise Specified:

- Dimensions in Inches
- Tolerances: Fractional ±
- Angular: Mach ± Bend ±
- Two Place Decimal ±
- Three Place Decimal ±

	Name	Date	Gooseneck #38/858		
Drawn	lv	01/03/18			
Checked					
ENG Appr.					
MFR Appr.			Size	Drawing No.	Rev
QA			A	0001	A
Construction: Aluminum	Series Shade Sizes: 3" 4 1/2" 5 3/4"		Scale	CAD File	Sheet 1 of 1



Revisions				
Zone	Rev	Description	Date	Approved