

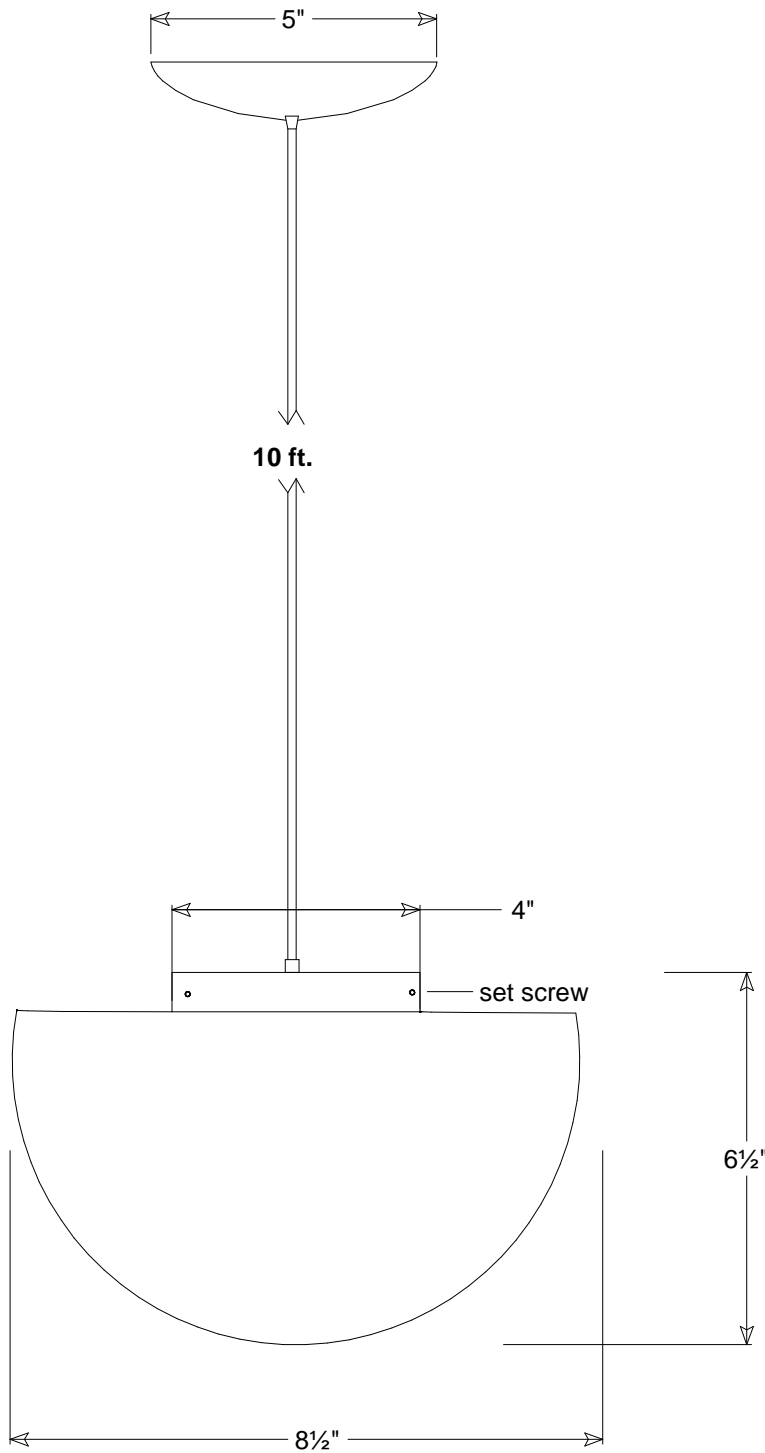


Primelite Manufacturing Corp

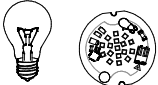
407 S Main St, Freeport, NY 11520

Phone: 516-868-4411 | Fax: 516-868-4609
 sales@primelite-mfg.com | www.primelite-mfg.com

PART # #378	LAMP Incandescent LED	VOLTAGE 120V	COLOR Powder Coated Paint
JOB NAME			TYPE Semi Hemi Glass Pendant



Lamp: Incandescent | LED



1775A | LED12 3K

Construction: Aluminum | Glass

Unless Otherwise Specified:
Dimensions in Inches

Name	Date	Pendant #378		
Drawn iv	09/06/18	8 1/2" Dia Semi Hemi Glass Pendant 10' Vinyl Cord		
Checked				
ENG Appr.				
MFR Appr.				
QA		Size A	Drawing No. 0001	Rev A
Comments		Scale	CAD File	Sheet 1 of 1

Revisions				
Zone	Rev	Description	Date	Approved