

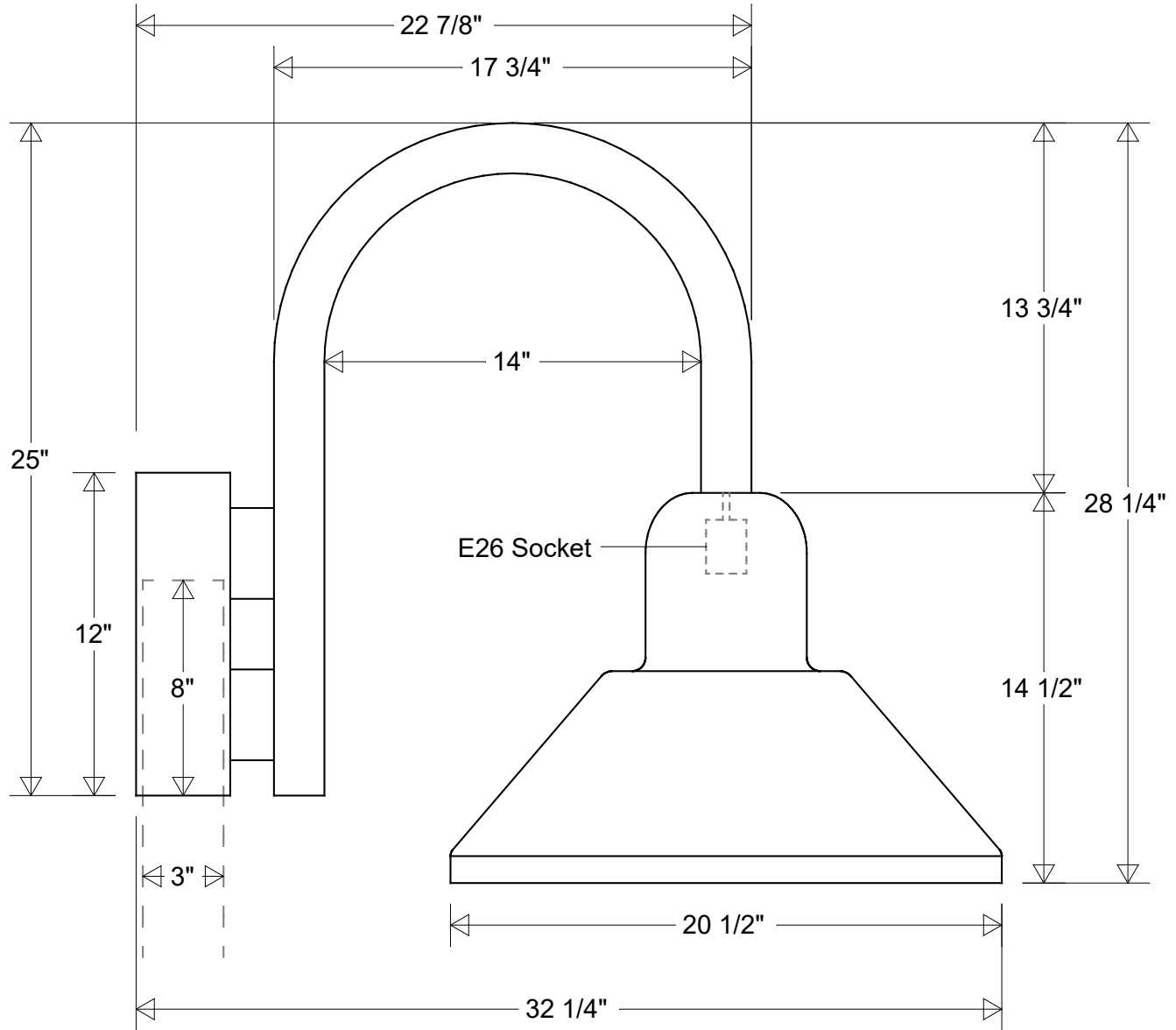



Primelite Manufacturing Corp

407 S Main St, Freeport, NY 11520

Phone: 516-868-4411 | Fax: 516-868-4609
 sales@primelite-mfg.com | www.primelite-mfg.com

PART # #37/20-1963	LAMP E26 Socket	VOLTAGE 120 V	COLOR Powder Coated Paint
JOB NAME			TYPE Heavy Gauge Gooseneck



Lamp: E26 Socket Max Wattage: 300 W 	Initials	Date	<h2>#37/20-1963</h2>							
	Drawn	CB						02/2023		
	Checked			20 1/2" Dia 32 1/4" Ext 28 1/4" H Fits 3" OD Round Posts & Pier Mounts						
ENG Appr.						Revisions				
Construction: Aluminum	MFR Appr.		Size	Drawing No.	Rev	Zone	Rev	Description	Date	Appr
	QA		A	0001	A					
Unless Otherwise Specified: Dimensions in Inches	Weight:		Scale	CAD File	Sheet					
					1 of 1					