

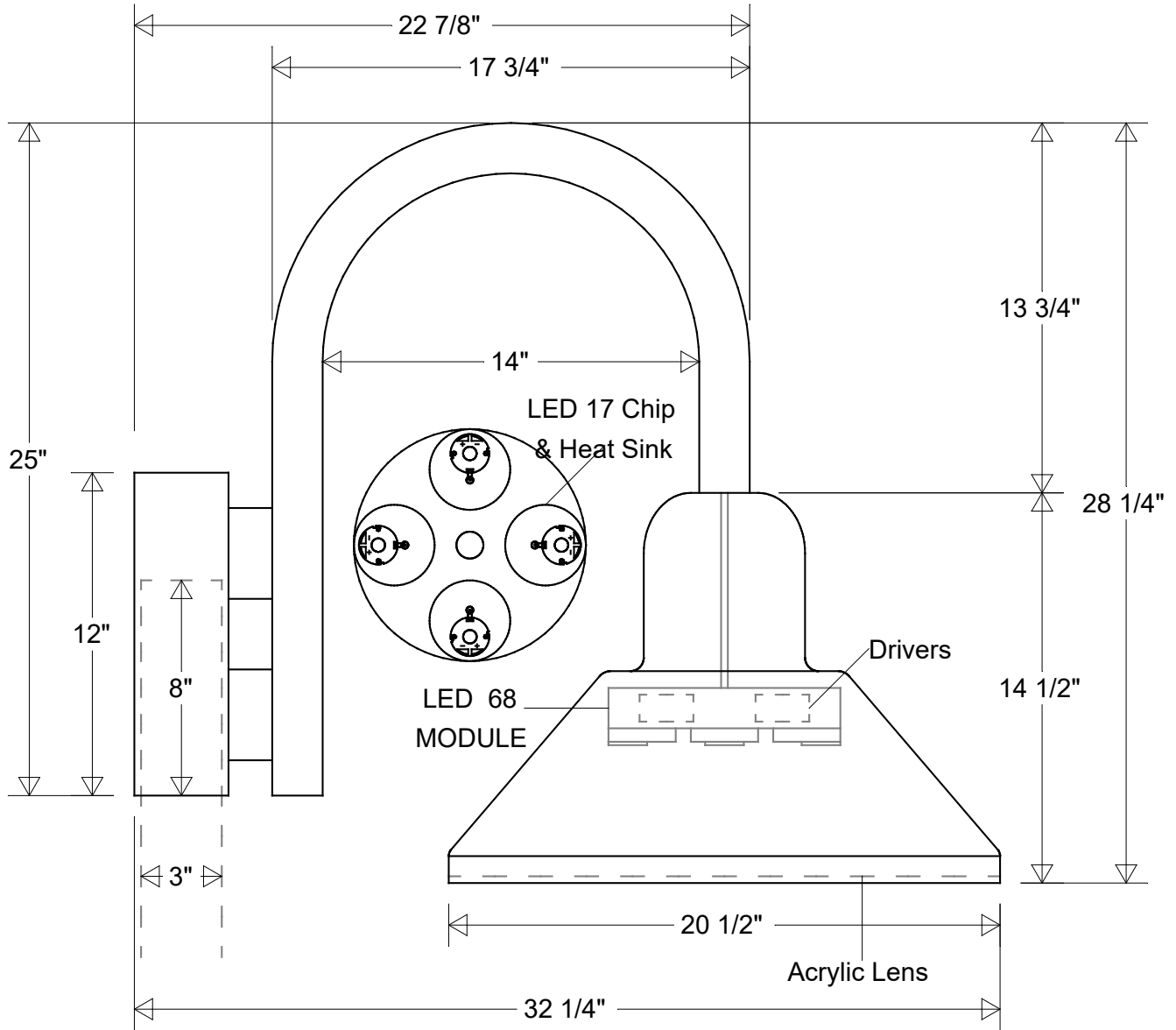


Primelite Manufacturing Corp

407 S Main St, Freeport, NY 11520

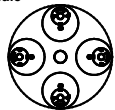
Phone: 516-868-4411 | Fax: 516-868-4609
 sales@primelite-mfg.com | www.primelite-mfg.com

PART # #37/20-1963	LAMP LED 68	VOLTAGE 120-277 V	COLOR Powder Coated Paint
JOB NAME			TYPE Heavy Gauge Gooseneck



Lamp: LED 68 Module

175W MH Equivalent
 3K = 11,920 Lumens
 4K = 12,272 Lumens



	Initials	Date
Drawn	CB	02/2023
Checked		
ENG Appr.		
MFR Appr.		
QA		

#37/20-1963 LED 68

20 1/2" Dia | 32 1/4" Ext | 28 1/4" H
 Fits 3" OD Round Posts & Pier Mounts

Size	Drawing No.	Rev
A	0001	A

Construction:
 Aluminum | Acrylic Lens

Unless Otherwise Specified:
 Dimensions in Inches

Weight:

Scale

CAD File

Sheet

1 of 1

Revisions				
Zone	Rev	Description	Date	Appr