

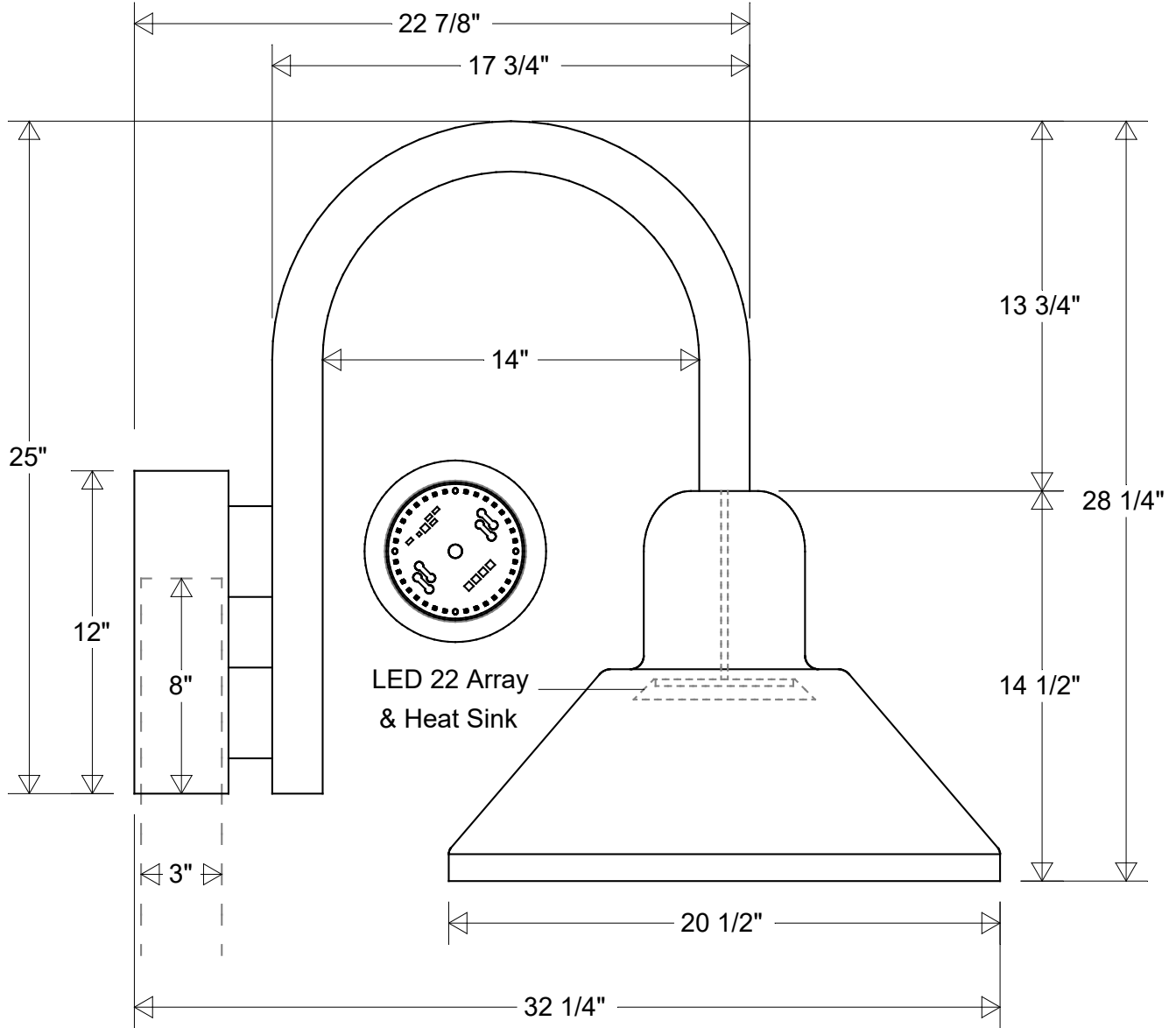


Primelite Manufacturing Corp

407 S Main St, Freeport, NY 11520

Phone: 516-868-4411 | Fax: 516-868-4609
 sales@primelite-mfg.com | www.primelite-mfg.com

PART # #37/20-1963	LAMP LED 22	VOLTAGE 120V	COLOR Powder Coated Paint
JOB NAME			TYPE Heavy Gauge Gooseneck



Lamp: LED 22 Array
 100 W Inc Equivalent
 3K = 1950 Lumens
 4K = 2130 Lumens



	Initials	Date
Drawn	CB	03/2023
Checked		
ENG Appr.		
MFR Appr.		
QA		

#37/20-1963 LED 22

20 1/2" Dia | 32 1/4" Ext | 28 1/4" H
 Fits 3" OD Round Posts & Pier Mounts

Size	Drawing No.	Rev
A	0001	A

Revisions				
Zone	Rev	Description	Date	Appr

Construction:
 Aluminum

Unless Otherwise Specified:
 Dimensions in Inches

Weight:	Scale	CAD File	Sheet
			1 of 1