

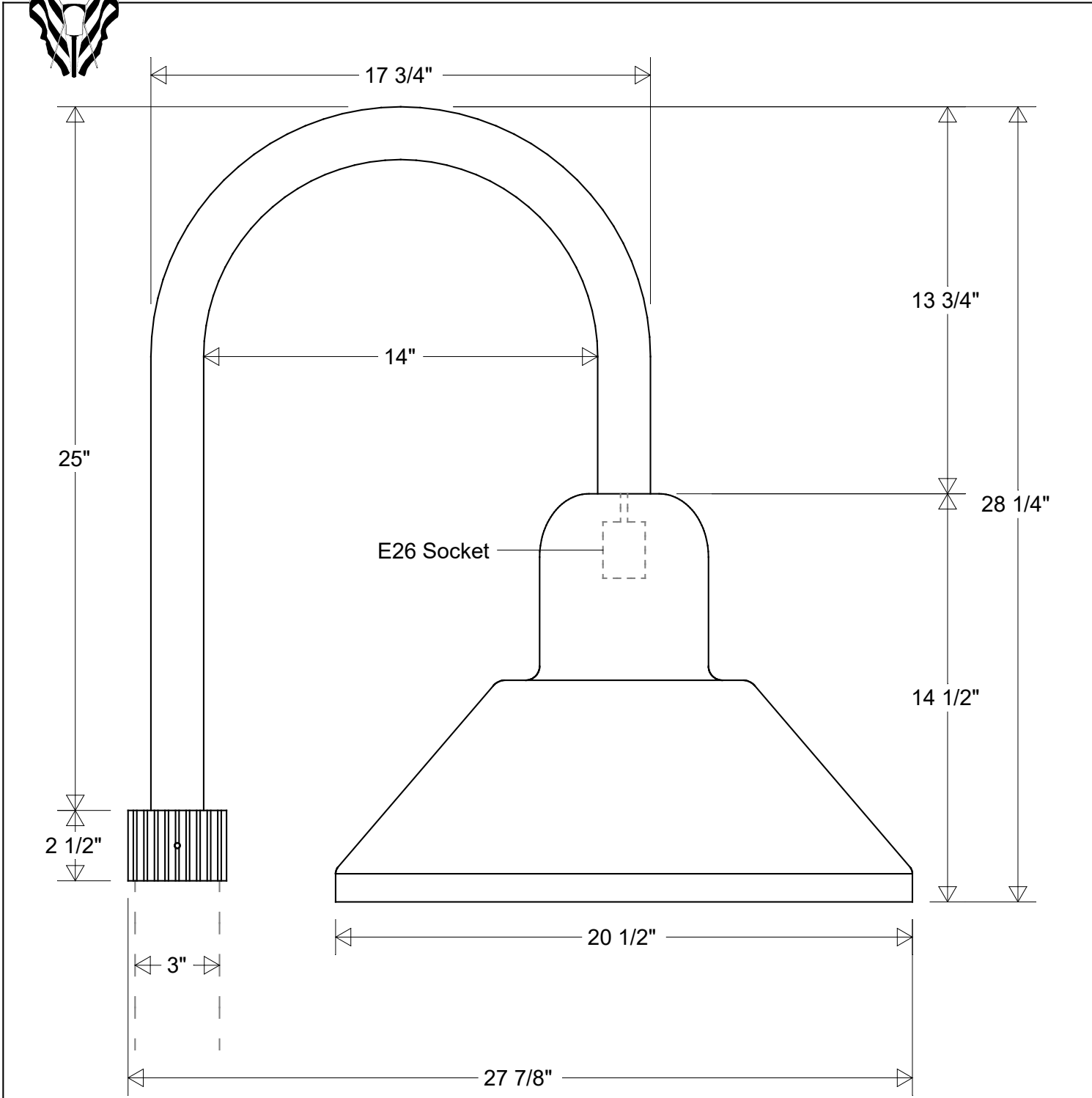



Primelite Manufacturing Corp

407 S Main St, Freeport, NY 11520

Phone: 516-868-4411 | Fax: 516-868-4609
 sales@primelite-mfg.com | www.primelite-mfg.com

PART # #37/20-1962	LAMP E26 Socket	VOLTAGE 120 V	COLOR Powder Coated Paint
JOB NAME			TYPE Gooseneck



Lamp: E26 Socket Max Wattage: 300 W 	Initials	Date	Gooseneck #37/20-1962 20 1/2" Dia 27 7/8" Ext 28 1/4" H Fits 3" OD Round Posts & Pier Mounts																													
	Drawn Checked ENG Appr. MFR Appr. QA	CB 						11/2022 																								
Construction: Aluminum	Weight:	Scale	Drawing No.	Rev	Revisions <table border="1"> <thead> <tr> <th>Zone</th> <th>Rev</th> <th>Description</th> <th>Date</th> <th>Appr</th> </tr> </thead> <tbody> <tr><td> </td><td> </td><td> </td><td> </td><td> </td></tr> <tr><td> </td><td> </td><td> </td><td> </td><td> </td></tr> <tr><td> </td><td> </td><td> </td><td> </td><td> </td></tr> <tr><td> </td><td> </td><td> </td><td> </td><td> </td></tr> </tbody> </table>			Zone	Rev	Description	Date	Appr																				
Zone	Rev	Description	Date	Appr																												
Unless Otherwise Specified: Dimensions in Inches			A	0001	A	1 of 1																										