



# Primelite Manufacturing Corp

407 S Main St, Freeport, NY 11520

Phone: 516-868-4411 | Fax: 516-868-4609  
 sales@primelite-mfg.com | www.primelite-mfg.com

PART #

#37/20-1961

LAMP

E26 Socket

VOLTAGE

120 V

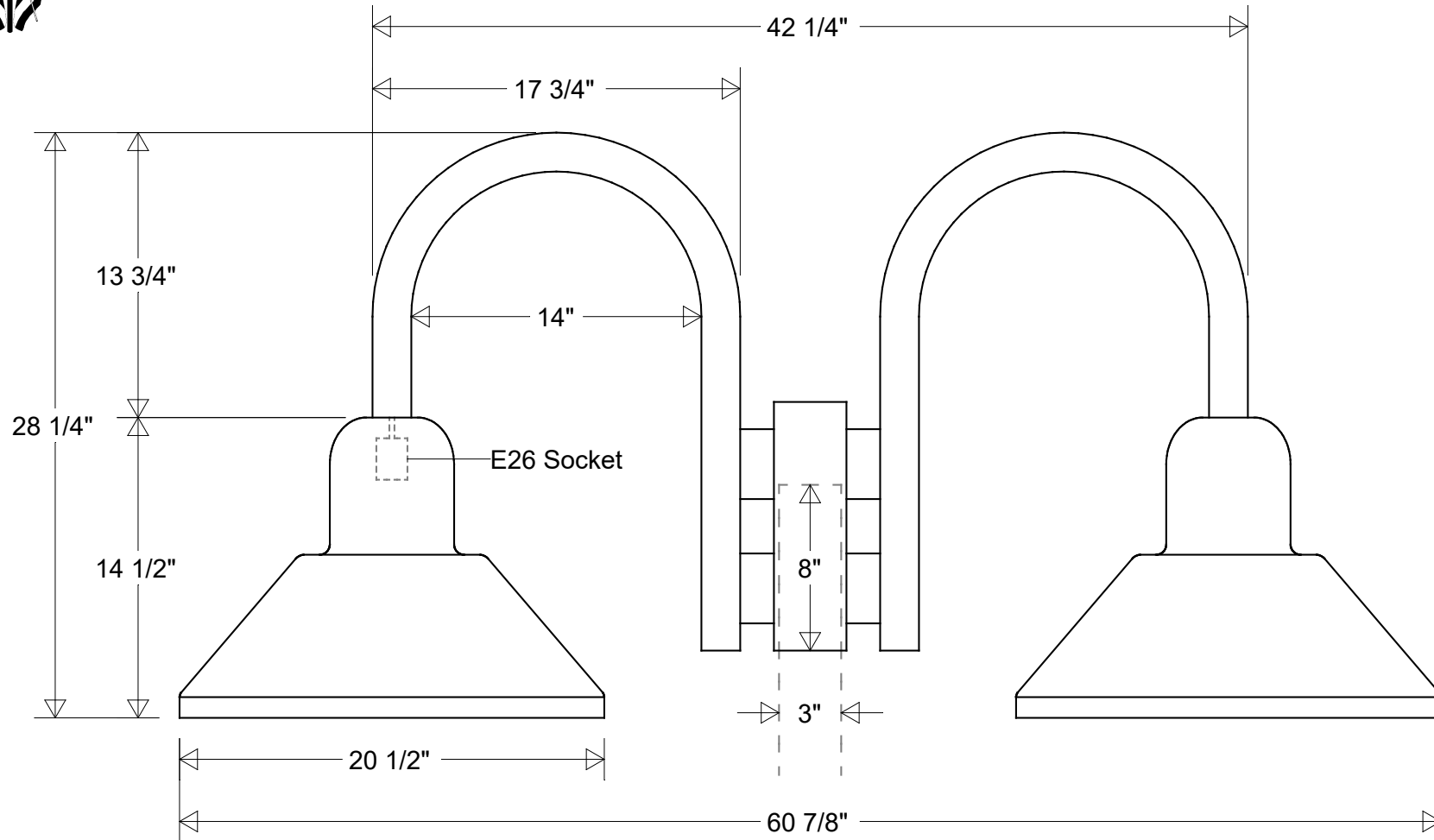
COLOR

Powder Coated Paint

JOB NAME

TYPE

Heavy Gauge Gooseneck Post Light



Lamp: E26 Socket  
 Max Wattage: 300 W



	Initials	Date
Drawn	CB	05/2023
Checked		
ENG Appr.		
MFR Appr.		
QA		

**#37/20-1961**

20 1/2" Dia | 60 7/8" Ext | 28 1/4" H

Fits 3" OD Round Posts & Pier Mounts

**Revisions**

Zone	Rev	Description	Date	Appr

Construction:  
 Aluminum

Size Drawing No. Rev  
**A 0001 A**

Unless Otherwise Specified:  
 Dimensions in Inches

Weight: Scale CAD File Sheet  
**1 of 1**