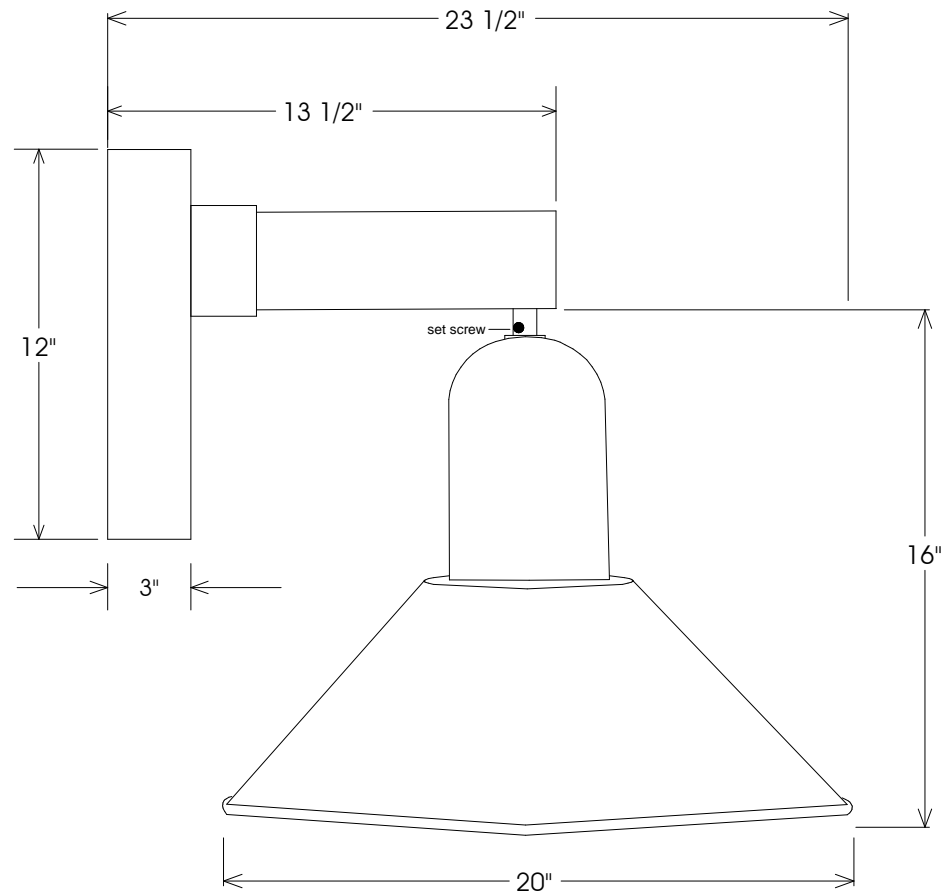


37/20A Shade



- 50,000 hour life
- Average savings is \$39.42 per year as compared to a 75 Watt incandescent
- Savings of \$ 518.16 for the life of the fixture
- Lumen output is equal to a 75 Watt bulb.

<b>Unless Otherwise Specified:</b> Dimensions in Inches Tolerances: Fractional ± Angular: Mach ± Bend ± Two Place Decimal ± Three Place Decimal ±	Drawn	Name	Date	<b>Primelite Mfg. Corp.</b>  <b>37/20-1871 LED post light</b> <b>24 Watt 1000 Lumens @ 3000K</b> <b>1250 Lumens @ 4000K</b> <b>24 Volt Output</b>
	Checked	T.A.R.	10/17/11	
	ENG Appr.		10/24/11	
	MFR Appr.			
	QA			
Construction: All Aluminum	Comments			Size
	CAD Generated Drawing Do Not Manually Update			Drawing No.
				Rev
				A
				Scale
				CAD File
				Sheet
				1 of 1