

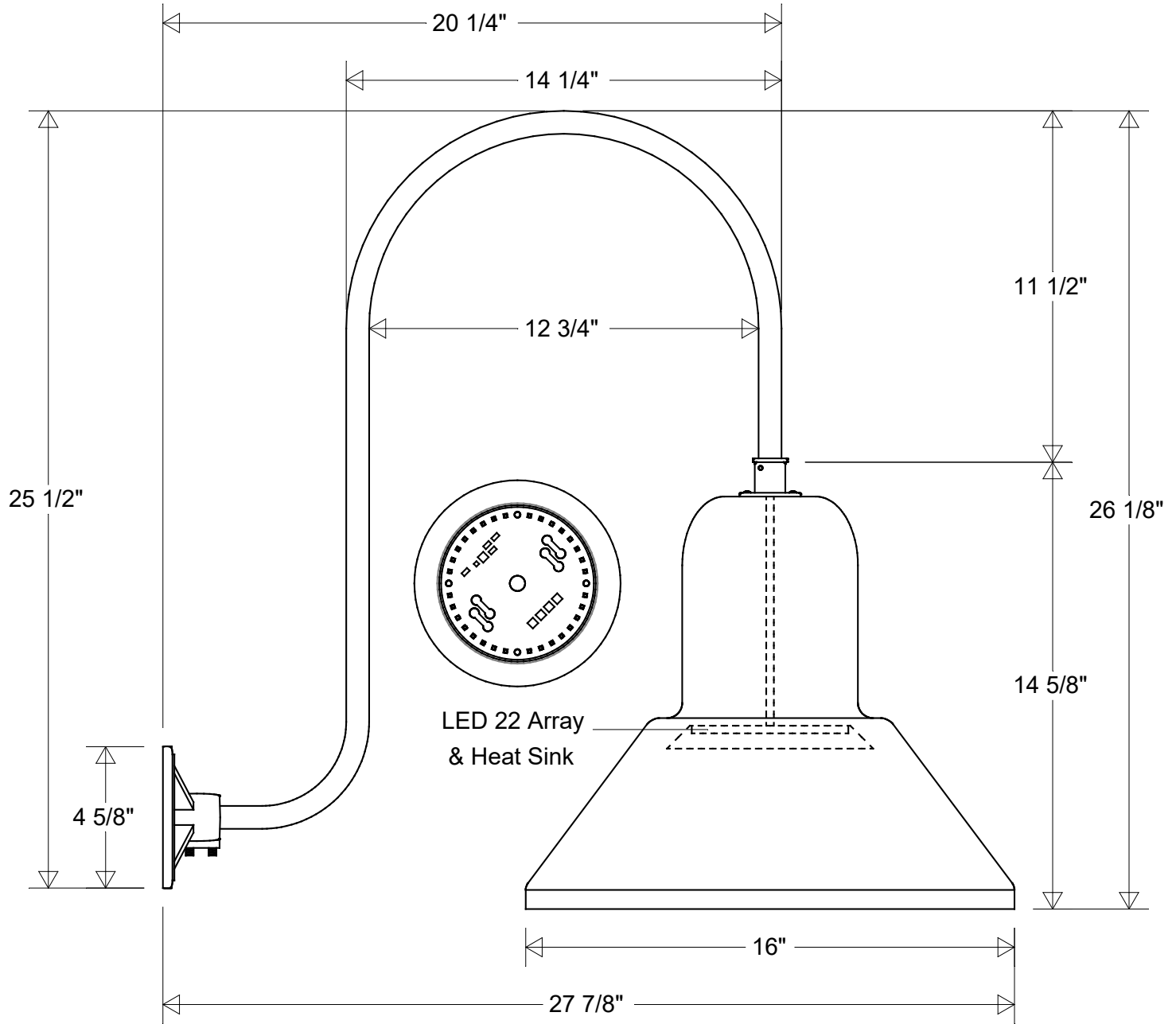



Primelite Manufacturing Corp

407 S Main St, Freeport, NY 11520

Phone: 516-868-4411 | Fax: 516-868-4609
 sales@primelite-mfg.com | www.primelite-mfg.com

PART # #37/16-874	LAMP Built-In LED	VOLTAGE 120 V	COLOR Powder Coated Paint
JOB NAME			TYPE Gooseneck



Lamp: LED 22 Array 100 W Inc Equivalent 3K = 1800 Lumens 4K = 1800 Lumens 	Name	Date	Gooseneck #37/16-874 LED 22							
	Drawn	CB						01/2022	16" Dia 27 7/8" Ext 26 1/8" H	
	Checked			Heavy Duty Canopy						
	ENG Appr.			Size	Drawing No.	Rev	Revisions			
MFR Appr.			A	0001	A	Zone	Rev	Description	Date	Approved
Construction: Aluminum	QA		Scale	CAD File	Sheet					
Unless Otherwise Specified: Dimensions in Inches	Weight									
										1 of 1