

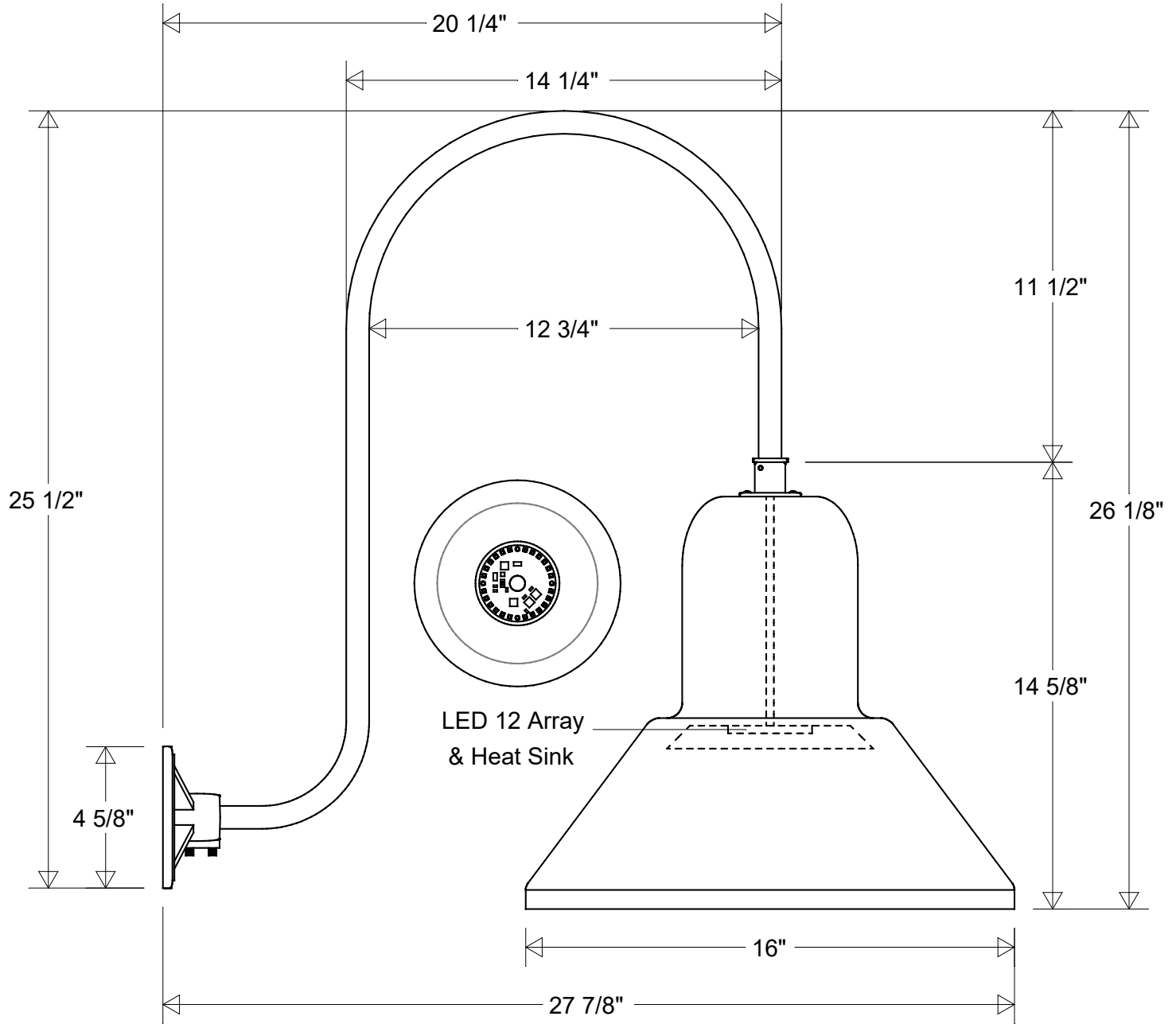



Primelite Manufacturing Corp

407 S Main St, Freeport, NY 11520

Phone: 516-868-4411 | Fax: 516-868-4609
 sales@primelite-mfg.com | www.primelite-mfg.com

PART # #37/16-874	LAMP Built-In LED	VOLTAGE 120 V	COLOR Powder Coated Paint
JOB NAME			TYPE Gooseneck



Lamp: LED 12 Array 60 W Inc Equivalent 3K = 800 Lumens 4K = 800 Lumens 	Name		Date		Gooseneck #37/16-874 LED 12 16" Dia 27 7/8" Ext 26 1/8" H Heavy Duty Canopy	Revisions					
	Drawn	CB	01/2022			Zone	Rev	Description	Date	Approved	
	Checked			Size		Drawing No.	Rev				
	ENG Appr.			A		0001	A				
MFR Appr.			Scale	CAD File	Sheet	1 of 1					
Construction: Aluminum	QA										
Unless Otherwise Specified: Dimensions in Inches	Weight										